



[Manuals.plus](#) /

> [FELYL](#) /

> FELYL 60" W x 72" H Framed Single Sliding Shower Door Instruction Manual

FELYL AMZ-AAO2B-6072C-FBA

FELYL 60" W x 72" H Framed Single Sliding Shower Door Instruction Manual

Model: AMZ-AAO2B-6072C-FBA | Brand: FELYL

1. INTRODUCTION AND KEY FEATURES

This manual provides comprehensive instructions for the installation, operation, and maintenance of your FELYL 60" W x 72" H Framed Single Sliding Shower Door. Please read all instructions carefully before beginning installation to ensure proper function and safety.

Key Features:

- **Dimensions:** Single Sliding Glass Shower Door of 56 - 61 in. W x 72 in. H. Single door width is 30 1/4", walk-in width is 26 3/4".
- **Design:** One fixed door and one sliding door. Sliding door includes a handle, stationary glass includes a matching color towel bar.
- **Adjustability:** Adjustable width between 56" and 61". Features 1/2" per side additional adjustment for non-vertical or uneven walls. Guide rails can be trimmed up to 4" for width adjustment between 60" and 56".
- **Reversible Installation:** Can be installed for right or left opening.
- **Glass:** 1/4" (6 mm) ultra-clear tempered glass with ANSI and SGCC certification for safety and clarity.
- **Hardware:** Premium aluminum frame and hardware, rust-resistant. Aluminum bottom door guide for quiet operation. Solid SUS304 stainless steel rollers tested for 100,000 push-and-pull cycles.
- **Waterproof Design:** SUS304 bearings, anti-collision strip, anti-jump track, integrated water deflector, and seals to prevent leaks.

2. SAFETY INFORMATION

Please observe the following safety precautions during installation and use:

- Always wear safety glasses when handling glass.
- Handle glass panels with extreme care. Tempered glass, if broken, shatters into small, blunt pieces.

- Ensure the installation surface is structurally sound and level.
- Use appropriate tools and follow all steps precisely.
- Do not overtighten screws, as this can damage components or glass.
- Professional installation is recommended.

3. PACKAGE CONTENTS

Verify that all components are present and undamaged before beginning installation. Refer to the parts diagram for identification.

- Fixed Glass Panel
- Sliding Glass Door
- Top and Bottom Tracks
- Wall Profiles
- Door Handle
- Towel Bar
- Rollers and Hardware Kit
- Seals and Water Deflector
- Fasteners and Anchors

4. TOOLS REQUIRED

The following tools are typically required for installation:

- Measuring Tape
- Pencil
- Level
- Drill
- Drill Bits (appropriate for wall material)
- Screwdriver (Phillips head)
- Caulking Gun and Silicone Sealant (mildew-resistant)
- Utility Knife
- Hacksaw (for trimming tracks if necessary)
- Safety Glasses

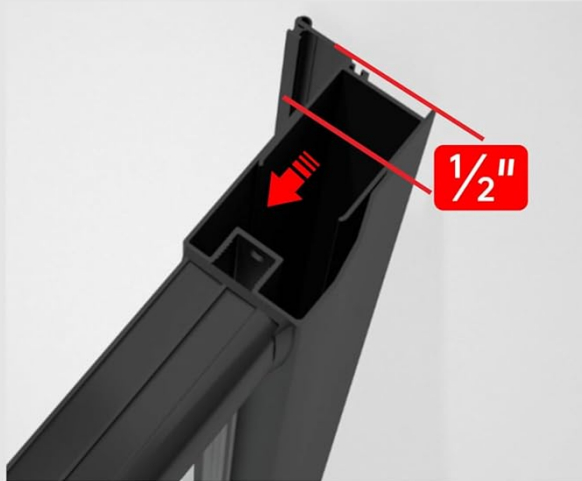
5. INSTALLATION INSTRUCTIONS

Follow these steps for a successful installation. It is recommended to have two people for certain steps involving heavy glass panels.

5.1. Prepare the Opening

Measure your shower opening width and height to ensure it falls within the adjustable range of 56" to 61" wide and 72" high. Ensure the shower base and walls are level and plumb.

WIDTH ADJUSTMENT



1/2" per side
additional adjustment
for **non-vertical or**
uneven walls within the wall profile



The guide rails can be
trimmed up to 4"
for width adjustment
between **48" to 44"**

Figure 1: Product Dimensions and Reversible Installation. The door can be installed for either left or right side opening.

FELYL 60" W x 72" H Framed Clear Glass Sliding Shower Door



Fit in Width

- 61"
- 60"
- 59"
- 58"
- 57"
- 56"

Figure 2: Detailed Configuration Dimensions. This diagram provides specific measurements for various components and access points.

5.2. Install Wall Profiles and Tracks

Attach the wall profiles to the shower walls using the provided fasteners. Use a level to ensure they are perfectly vertical. Install the top and bottom tracks, ensuring they are level. If your opening width is less than 60", you may need to trim the top and bottom tracks on the sliding door side only. The cut length should be calculated as: Original track width (60") - Actual opening width.

FELYL
SHOWER DOOR

**MATTE
BLACK**

RUST-RESISTANT
HARDWARE

Figure 3: Width Adjustment. This image shows how to adjust for uneven walls and trim guide rails for a perfect fit.



Figure 4: AAO2 Series Guide Rail Trimming. This diagram details the maximum trimming allowance for different door widths.

5.3. Attach Rollers to Glass Panels

Secure the top and bottom rollers to the respective glass panels. Ensure all screws are tightened properly, but do not overtighten.

FELYL
SHOWER DOOR

**RUST-RESISTANT
HARDWARE**



Figure 5: Stainless Steel Rollers. This image highlights the durable SUS304 stainless steel rollers for smooth operation.

Single Sliding Shower Door

One fixed panel and
one sliding door



Single Sliding Design

Fixed panel stays secure and stable



Frame Design

Frame provides strong support for panels

Figure 6: Roller Comparison. Illustrates the superior quality of S304 Stainless Steel rollers compared to plastic alternatives.

5.4. Hang Glass Panels

Carefully lift and place the fixed glass panel into its designated position within the tracks. Then, hang the sliding door panel onto the top track rollers and guide it into the bottom track. Adjust as needed for smooth movement.

5.5. Install Handles and Towel Bar

Attach the door handle to the sliding door and the towel bar to the fixed panel. Ensure they are securely fastened.

FELYL
SHOWER DOOR

TEMPERED GLASS

1/4 inches (6 mm)

ANSI CERTIFIED
SGCC Certified



Ours



Others

Figure 7: Rust-Resistant Hardware. Showcases the durable matte black finish on the handle and towel bar.

FRAMED SLIDING SHOWER DOOR

CONFIGURATION DIMENSIONS:

AAO2B-C

A.

Model width : 60"

B.

Model height : 72"

C.

Access width : 26 3/4"

D.

Towel bar height : 35 9/16"

E.

Threshold width : 2 3/8"

Model width	Access width
61"	26 3/4"
60"	26 3/4"
59"	25 3/4"
58"	24 3/4"
57"	23 3/4"
56"	22 3/4"

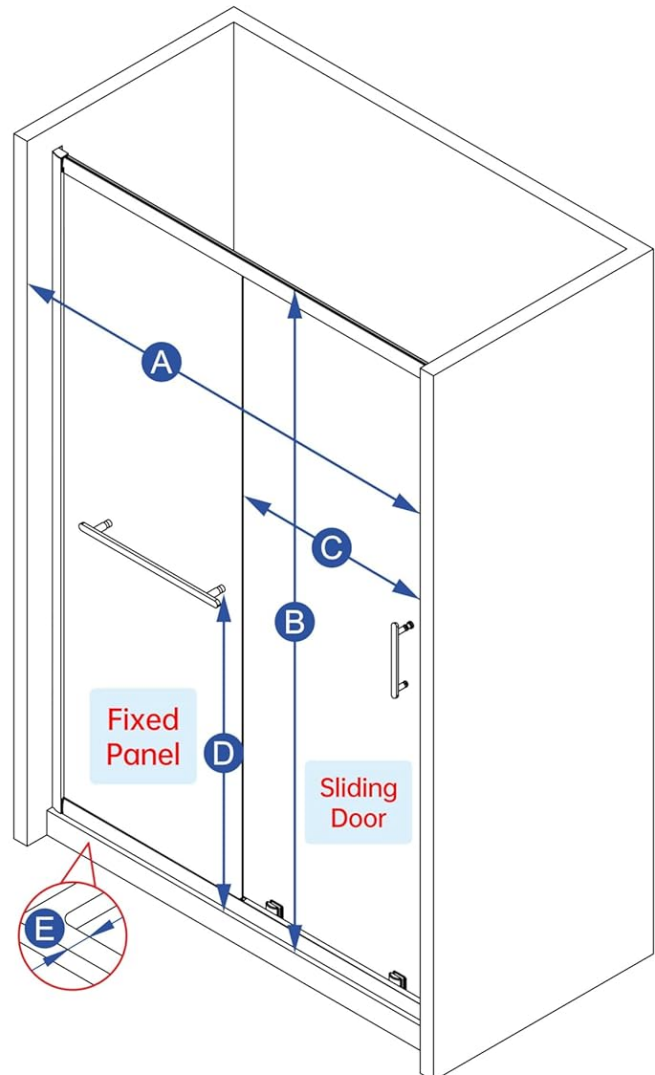


Figure 8: Matte Black Finish. A detailed view of the sleek matte black handle.

5.6. Apply Silicone Sealant

Apply a continuous bead of mildew-resistant silicone sealant along the exterior seams where the wall profiles meet the walls and where the bottom track meets the shower base. Allow 24 hours for the sealant to cure before using the shower.

5.7. Installation Video Guide

For a visual demonstration of the installation process, please refer to the official installation video:

Your browser does not support the video tag.

Video 1: How to install AAO2 shower door. This video provides a step-by-step guide for installing your shower door.

6. OPERATING INSTRUCTIONS

Your FELYL sliding shower door is designed for smooth and effortless operation.

- To open the door, gently grasp the handle and slide the door along the track.
- To close the door, slide it back until it meets the fixed panel and the magnetic strip engages.
- Avoid forcing the door if it encounters resistance. Check for any obstructions in the track.

Door Opening and Closing Demonstration

Watch this short video for a demonstration of the door's smooth opening and closing mechanism:

Your browser does not support the video tag.

Video 2: 290-Opening and Closing. This video demonstrates the smooth sliding action of the shower door.

7. MAINTENANCE

Regular cleaning and maintenance will ensure the longevity and appearance of your shower door.

- **Glass Cleaning:** Clean glass panels regularly with a soft cloth and a non-abrasive glass cleaner. Avoid harsh chemicals or abrasive pads that can scratch the glass or damage coatings.
- **Hardware Cleaning:** Wipe down aluminum frames and hardware with a soft, damp cloth. Do not use abrasive cleaners or solvents, as these can damage the finish.
- **Track Maintenance:** Keep the top and bottom tracks free of debris, soap scum, and hair to ensure smooth sliding.
- **Quick Release Rollers:** The quick-release bottom rollers allow for easy cleaning of the glass edges and tracks. Simply press the release mechanism to detach the bottom of the door for access.



Figure 9: Easy Cleaning Design. Demonstrates how the quick-release rollers facilitate cleaning of the bottom track.

8. TROUBLESHOOTING

If you encounter any issues, refer to the following common problems and solutions:

- **Door does not slide smoothly:** Check tracks for debris and clean thoroughly. Ensure rollers are properly aligned and free of obstruction.
- **Water leakage:** Verify that all seals are properly installed and intact. Ensure silicone sealant is applied correctly and has fully cured. Check for any gaps in the wall profiles.
- **Door not closing completely:** Inspect the magnetic strip for damage or misalignment. Ensure the door is properly aligned within the tracks.

If problems persist, please contact customer support.

9. SPECIFICATIONS

Attribute	Value
Brand	FELYL
Model Number	AMZ-AAO2B-6072C-FBA
Size	60" W x 72" H
Color	Black Clear
Material	Aluminum, Ultra-Clear Glass
Style	Modern
Item Weight	111 Pounds
Product Dimensions	0.25 x 60 x 72 inches
Assembly Required	Yes

10. WARRANTY AND SUPPORT

For warranty information or technical support, please refer to the product packaging or contact FELYL customer service directly. Keep your purchase receipt for warranty claims.