

MAF MAF-MT33-05F

MAF 5 Inch Full Size Low Profile Box Spring Instruction Manual

INTRODUCTION

This manual provides detailed instructions for the assembly, operation, and maintenance of your MAF 5 Inch Full Size Low Profile Box Spring. Please read this manual thoroughly before assembly and retain it for future reference.

The MAF box spring features a robust metal frame designed to provide stable support for your mattress. Its low-profile, round-corner design ensures easy assembly, durability, quiet operation, and convenient mobility.

SAFETY INFORMATION

Caution: This low-profile design requires careful handling during assembly and use.

- Ensure proper assembly to prevent instability.
- Be careful around sharp edges during unpacking and assembly.
- Follow all assembly instructions precisely to avoid pinching hazards.
- Keep the fabric cover clean and dry to prevent fire risks.
- Do not exceed the maximum weight recommendation of 3500 lbs.

PACKAGE CONTENTS

Before beginning assembly, verify that all components are present:

- Box Spring Frame Components
- Slats
- Fabric Cover
- Installation Manual (this document)
- Assembly Hardware (bolts, nuts, Allen wrench)

SETUP AND ASSEMBLY

The MAF box spring features a folding design for simplified setup. It is recommended to assemble the unit in the room where it will be used.

1. **Unpack Components:** Carefully remove all parts from the packaging. Lay them out on a clean, flat surface.
2. **Unfold the Frame:** The metal box spring frame is designed to unfold. Gently extend the folded sections until they form the full rectangular shape. Ensure all hinges lock into place securely.

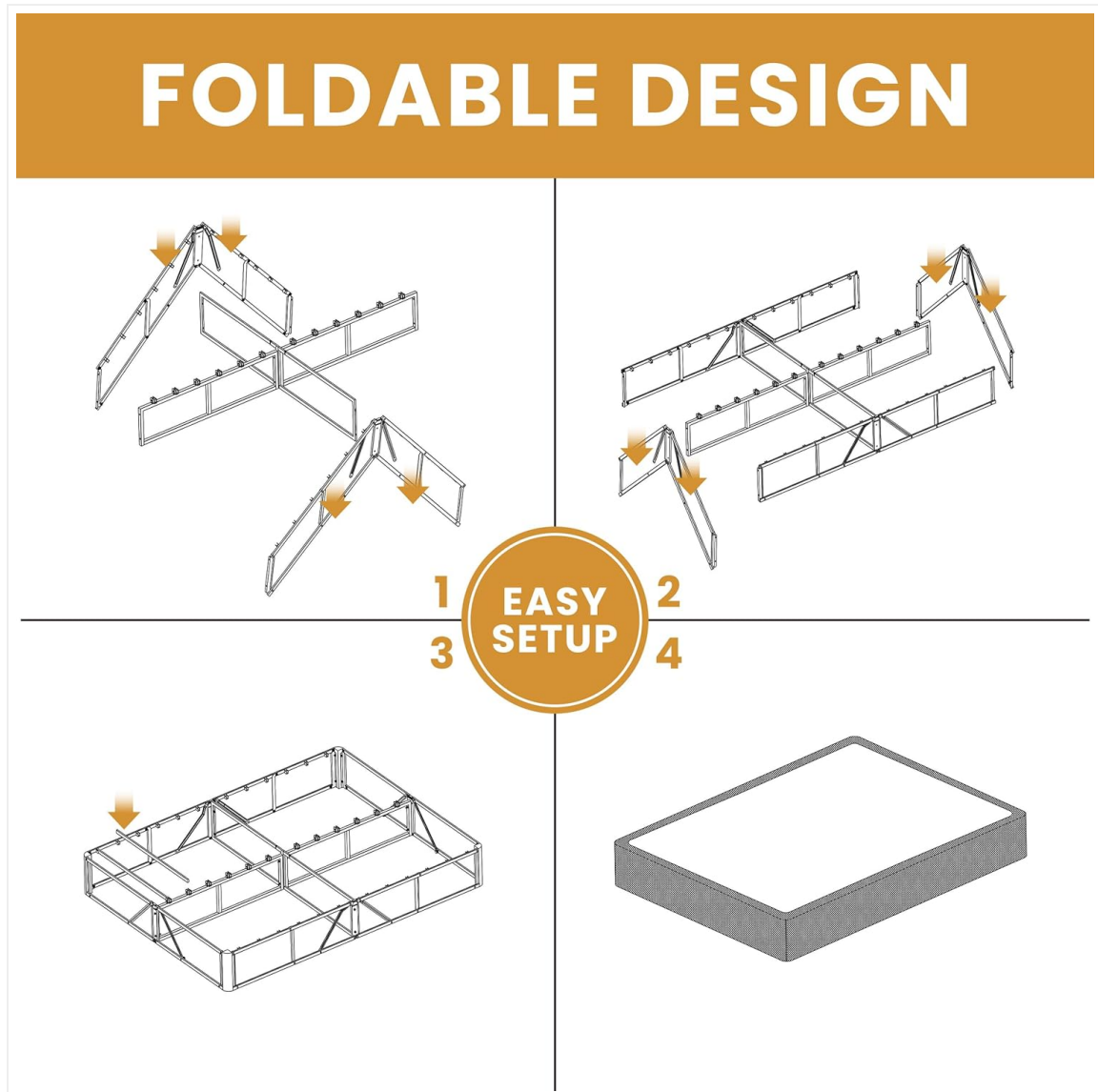


Image: Step-by-step illustration of the box spring's foldable design and easy setup process.

3. **Secure the Frame:** Use the provided hardware (bolts and nuts) to secure the frame sections together. Tighten all connections firmly using the included Allen wrench. Do not overtighten.
4. **Install Slats:** Place the metal slats into the designated slots on the frame. Ensure they are evenly spaced and securely seated. The design features 13 slats for enhanced stability.

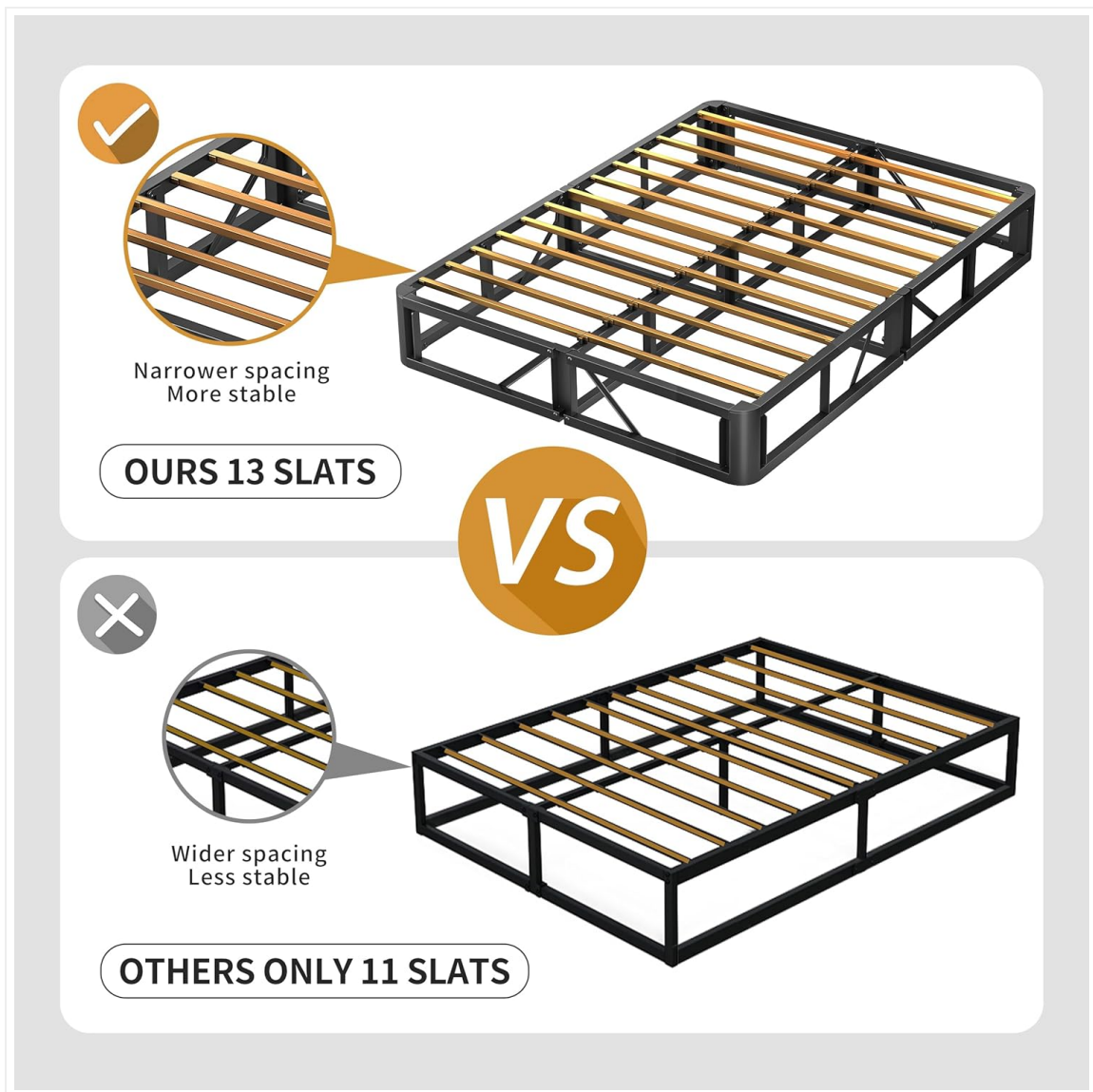


Image: Visual comparison highlighting the stability provided by 13 slats compared to fewer slats.

5. **Apply Fabric Cover:** Once the frame is fully assembled and secured, stretch the removable fabric cover over the box spring. Ensure it fits snugly and covers all sides. The cover is designed for easy removal and washing.
6. **Placement:** Position the assembled box spring onto your bed frame. It is compatible with various types of mattresses, including innerspring, memory foam, and latex.



Image: Illustration demonstrating the correct layering of a mattress, box spring, and bed frame.

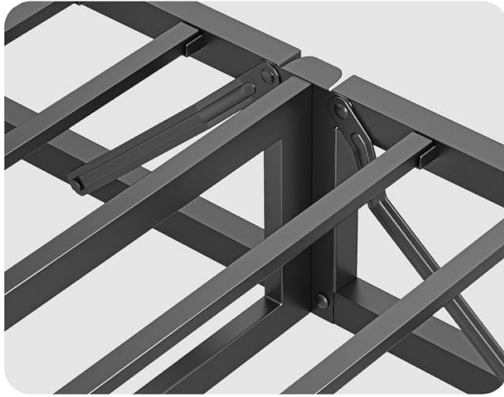
OPERATING AND USAGE

The MAF 5 Inch Full Size Low Profile Box Spring is designed to provide a stable and quiet foundation for your mattress.

- **Mattress Support:** Place your mattress directly on top of the assembled box spring. The heavy-duty metal slats and reinforced steel construction ensure robust support for mattresses up to 3500 lbs.
- **Low Profile Design:** The 5-inch height is ideal for taller mattresses or for users who prefer a lower bed profile.
- **Noise-Free Operation:** The U-shaped groove and silent sponge design, combined with seamless welding, prevent structural distortion and eliminate squeaks, ensuring undisturbed sleep.
- **Round Corner Design:** The rounded corners are a safety feature, designed to protect against accidental injury.

ROUND CORNER DESIGN

The box spring with four rounded corners can protect you from injury.



TRIANGULAR SUPPORT DESIGN

The triangular support design makes it more stable and durable

U-SHAPED GROOVE DESIGN

U-shaped groove and heavy-duty construction, preventing structural distortion and squeaks

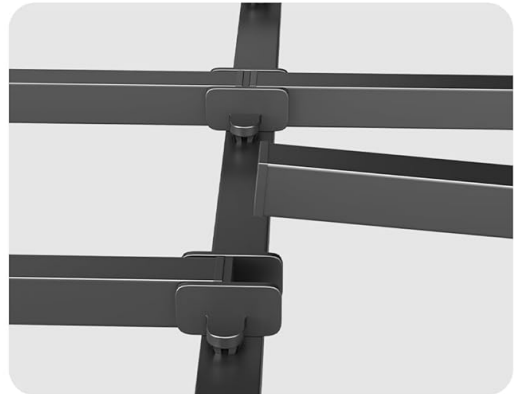


Image: Detailed views of the box spring's round corner design, triangular support, and U-shaped groove for enhanced stability and safety.

MAINTENANCE

Proper maintenance will extend the life and performance of your box spring.

- **Cleaning the Cover:** The fabric cover is removable and washable. Follow the care instructions on the cover label for best results. Ensure the cover is completely dry before reattaching.
- **Frame Cleaning:** Wipe the metal frame with a dry cloth as needed to remove dust. Avoid using harsh chemicals or abrasive cleaners.
- **Regular Inspection:** Periodically check all bolts and connections to ensure they remain tight. Retighten if necessary to maintain stability and prevent noise.

TROUBLESHOOTING

Problem	Possible Cause	Solution
---------	----------------	----------

Problem	Possible Cause	Solution
Squeaking noises	Loose connections or uneven placement.	Check and tighten all bolts and connections. Ensure the box spring is placed evenly on the bed frame. The U-shaped groove and silent sponge design are intended to prevent squeaks; ensure these components are correctly seated.
Instability or wobbling	Incomplete assembly or loose hardware.	Verify that all frame sections are fully unfolded and locked, and all bolts are securely tightened. Ensure the box spring is correctly positioned within your bed frame.
Difficulty fitting cover	Cover not aligned correctly.	Ensure the box spring is fully assembled and the cover is oriented correctly before attempting to stretch it over the frame.

SPECIFICATIONS

Full



Load Capacity
3500 lbs



Stable



Quick
Assembly



Noise Free



For Mattress Size: 75"L x 54"W

Box Spring Cover Included



Image: Key dimensions and features of the MAF Full Size Box Spring, including load capacity and assembly benefits.

Feature	Detail
Model Number	MAF-MT33-05F
Size	Full
Product Dimensions (L x W x H)	187.5 cm x 134.6 cm x 12.7 cm (73.8"L x 53"W x 5"H)
Compatible Mattress Size	75"L x 54"W
Material	Metal (Powder Coated Finish)
Maximum Weight Recommendation	3500 lbs
Special Features	Foldable, Round Corner Design, Noise-Free (U-shaped groove, silent sponge), Triangular Support Design, Easy-Clean Fabric Cover
Included Components	Box Spring Frame, Slats, Fabric Cover, Installation Manual, Assembly Hardware
Required Assembly	Yes

WARRANTY AND SUPPORT

For warranty information or technical support, please refer to the contact details provided at the point of purchase or visit the official MAF website. Please have your model number (MAF-MT33-05F) and purchase date available when contacting support.