



[Manuals.plus](#) /

› [Babilous](#) /

› Babilous Foldable High Chair with Soft Cushion, Height Adjustable Feeding Chair (Star Gray) - Instruction Manual

Babilous B0DMJZ1FH3

Babilous Foldable High Chair with Soft Cushion (Star Gray) - Instruction Manual

Model: B0DMJZ1FH3

[Introduction](#) [Safety Information](#) [Parts List](#) [Setup & Assembly](#) [Operating](#)
[Instructions](#) [Maintenance & Cleaning](#) [Troubleshooting](#) [Specifications](#) [Warranty & Support](#)

1. INTRODUCTION

Thank you for choosing the Babilous Foldable High Chair. This manual provides essential information for the safe and proper assembly, operation, and maintenance of your high chair. Please read all instructions carefully before use and keep this manual for future reference.

2. SAFETY INFORMATION

- Always secure your child in the high chair with the 5-point harness.
- Never leave your child unattended in the high chair.
- Ensure the high chair is placed on a flat, stable surface.
- Engage wheel locks when the high chair is stationary.
- Keep children away from moving parts during adjustment.
- Do not use the high chair if any parts are damaged or missing.
- Maximum weight recommendation: 35 pounds.

3. PARTS LIST

Before assembly, ensure all parts are present:

- High Chair Frame (pre-assembled components)
- Seat Unit with Soft Cushion and 5-point Harness
- Dual-Layer Tray (Upper and Lower)
- Footrest
- Wheels (4 with locks)
- Instruction Manual



Figure 1: Main components of the Babilous Foldable High Chair.

4. SETUP & ASSEMBLY

1. **Unfold the Frame:** Carefully unfold the main high chair frame until it clicks into place. Ensure all locking mechanisms are engaged.
2. **Attach the Wheels:** Insert the four wheels into the designated slots on the bottom of the chair legs. Push firmly until they click. Engage the wheel locks for stability during assembly.
3. **Install the Seat Unit:** The seat unit comes largely pre-assembled. Ensure the soft cushion and 5-point harness are correctly positioned.
4. **Attach the Tray:** Slide the main tray onto the armrests until it locks securely. The tray can be adjusted to three positions.
5. **Attach the Upper Tray:** Place the removable upper tray onto the main tray. This layer is dishwasher safe for easy cleaning.
6. **Adjust Footrest:** The footrest can be adjusted to 3 levels. Press the buttons on either side of the footrest to adjust its position.

Your browser does not support the video tag.

Video 1: Official Babilous video demonstrating high chair features and adjustments.

5. OPERATING INSTRUCTIONS

5.1. Height Adjustment

The high chair offers 8 height levels. To adjust the height, locate the buttons on the side of the main frame (near the seat). Press these buttons simultaneously and slide the seat unit up or down to your desired height. Release the buttons to lock the position.

Footrest Position Adjustment

Chair Height Adjustment

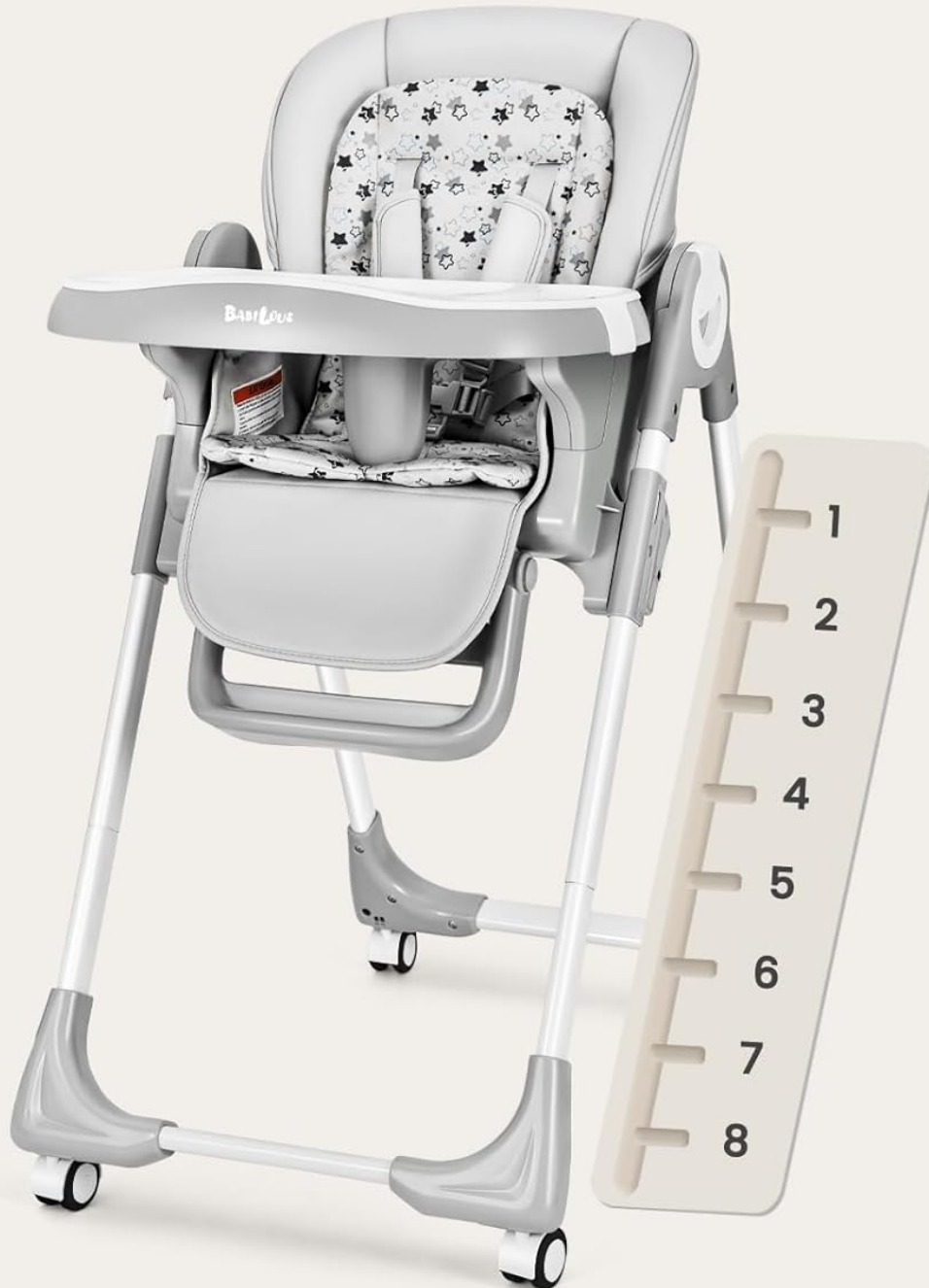


Figure 2: Illustrates the 8 adjustable height levels of the high chair.

5.2. Backrest Recline

The backrest can be reclined to 4 positions for your child's comfort. Locate the recline lever at the back of the seat. Press the lever and adjust the backrest to the desired angle. Release the lever to secure the position.

Adjustable

Footrest
Backrest
Tray

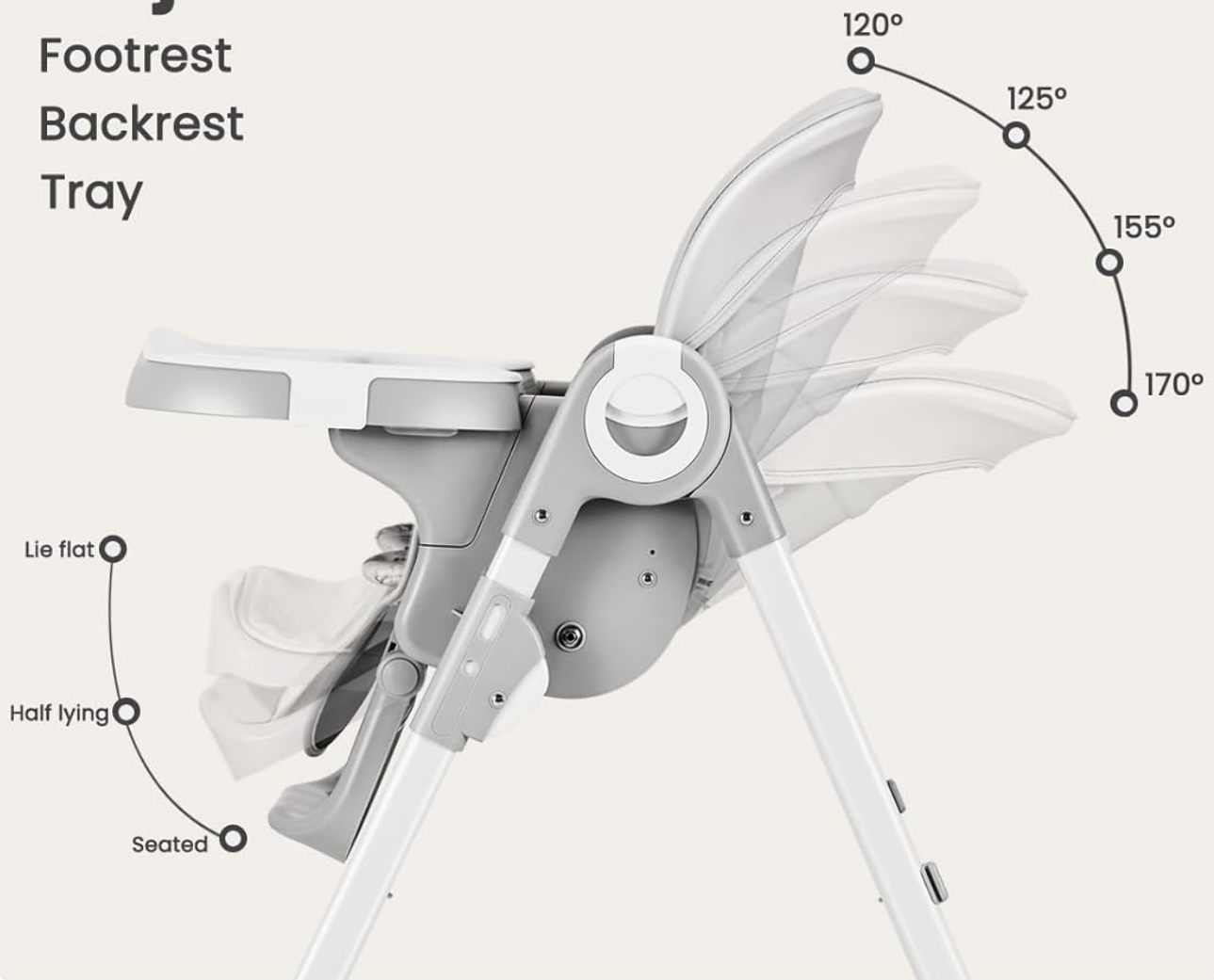


Figure 3: Demonstrates the adjustable backrest and tray positions.

5.3. Tray Adjustment & Removal

The main tray has 3 adjustable positions. To adjust, press the buttons on the underside of the tray and slide it forward or backward. To remove the entire tray, press the release levers on both sides and lift it off. The upper tray can be easily lifted off for cleaning.

Foldable High Chair

Easy to Storage



Figure 4: Shows the dual-layer removable tray for mealtime and playtime.

5.4. Folding for Storage

For compact storage, the high chair can be folded. Ensure the tray is removed or pushed to its furthest position. Locate the folding buttons on the sides of the frame (usually near the top of the legs). Press these buttons and push the legs together until the chair folds flat. The rear legs also provide a built-in tray holder for convenience.

Size of Children's Chair

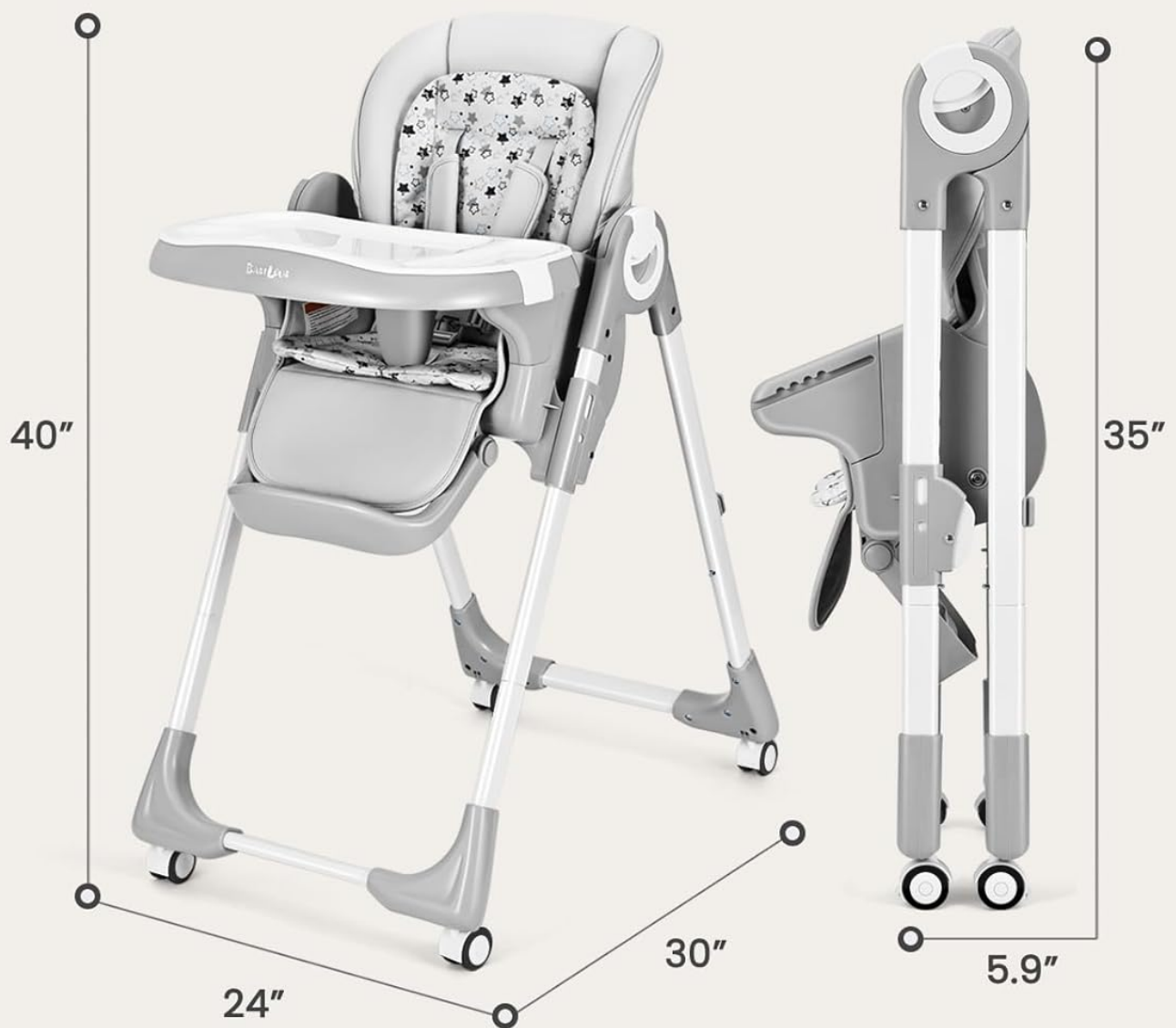


Figure 5: Illustrates the compact folding feature of the high chair.

6. MAINTENANCE & CLEANING

- **Seat Cover:** The seat cover is removable for easy cleaning. Wipe clean with a damp cloth and mild soap. Allow to air dry completely. Do not machine wash or tumble dry unless specified by care label.
- **Trays:** The upper tray is dishwasher safe. The main tray can be wiped clean with a damp cloth and mild soap.
- **Frame:** Wipe the frame with a damp cloth. Avoid abrasive cleaners.
- **Wheels:** Regularly check wheels for debris and clean as needed to ensure smooth mobility.

7. TROUBLESHOOTING

Problem	Possible Cause	Solution
High chair does not fold properly.	Tray not in correct position; locking mechanisms engaged.	Ensure tray is removed or pushed fully forward. Disengage any wheel locks. Press folding buttons firmly.
Wheels are not rolling smoothly.	Debris caught in wheels; wheel locks engaged.	Clean any debris from the wheels. Ensure wheel locks are disengaged.
Seat adjustment is difficult.	Buttons not pressed simultaneously or fully.	Ensure both adjustment buttons are pressed completely and simultaneously while moving the seat.

8. SPECIFICATIONS

Product Dimensions: 30 x 24 x 40 inches (D x W x H)

Folded Dimensions: Approximately 5.9"D x 24"W x 35"H

Item Weight: 17.65 pounds

Maximum Weight Recommendation: 35 Pounds

Material Type: Faux Leather, Metal, Plastic

Material Composition: PU Leather, Metal, Plastic

Color: Star Gray

Special Features: Dishwasher safe (tray), Portable, Lockable Wheels



Figure 6: Dimensions of the high chair when folded.

9. WARRANTY & SUPPORT

For warranty information or customer support, please contact Babilous directly through their official website or the retailer where the product was purchased. Keep your proof of purchase for warranty claims.

Babilous Customer Service: [Visit the Babilous Store on Amazon](#)