



[Manuals.plus](#) /

› [RuiSiSi](#) /

› RuiSiSi Twin Size Platform Bed with Desk and Storage Shelf User Manual

RuiSiSi WS03130

RuiSiSi Twin Size Platform Bed with Desk and Storage Shelf

MODEL: WS03130

Introduction

This manual provides detailed instructions for the assembly, operation, and maintenance of your RuiSiSi Twin Size Platform Bed with Desk and Storage Shelf. Please read all instructions carefully before beginning assembly and retain this manual for future reference. Proper assembly and care will ensure the longevity and safe use of your product.

Safety Information

- Always follow assembly instructions precisely. Do not deviate from the steps provided.
- Ensure all hardware is securely tightened before use. Periodically check and re-tighten hardware as needed.
- Do not exceed the recommended weight capacity for the bed (350 lbs), trundle (330 lbs), drawers (66 lbs each), or desk (330 lbs).
- Keep small parts and packaging materials away from children during assembly to prevent choking hazards.
- Use on a level surface to prevent tipping.
- Do not allow children to play on or around the trundle mechanism without supervision.
- Mattress thickness for the main bed and trundle should be 6-8 inches.

Package Contents

Verify that all components are present before beginning assembly. If any parts are missing or damaged, contact customer support immediately. The package should include:

- Bed frame components (headboard, footboard, side rails, slats)
- Trundle bed frame components
- Desk and storage shelf components
- Three drawer components
- Hardware pack (screws, bolts, nuts, Allen wrench)

- Assembly instructions

Setup and Assembly

Assembly typically requires two adults. Clear a spacious area for assembly. Do not fully tighten all screws until the entire unit is assembled, then go back and tighten all connections.

1. **Unpack and Identify Parts:** Carefully remove all components from the packaging. Lay them out on a soft, clean surface to prevent scratches. Refer to the parts list in your included instruction booklet to identify each piece.
2. **Assemble the Main Bed Frame:** Attach the side rails to the headboard and footboard using the provided hardware. Ensure all connections are secure but do not overtighten yet.
3. **Install Bed Slats:** Place the wooden slats across the bed frame and secure them according to the instructions. These provide support for your mattress.
4. **Assemble the Trundle Bed:** Construct the trundle frame separately, ensuring the wheels are properly attached for smooth operation.
5. **Assemble the Storage Drawers:** Put together the three drawers. Install the drawer slides and handles.
6. **Assemble the Desk and Storage Shelf Unit:** Construct the desk and integrated storage shelf. Attach any necessary support legs or wheels.
7. **Integrate Components:** Connect the trundle bed, storage drawers, and desk unit to the main bed frame as indicated in your specific assembly guide.
8. **Final Tightening:** Once all components are in place and aligned, go back and securely tighten all screws and bolts. Do not overtighten to avoid stripping threads.

SIZE: INCH

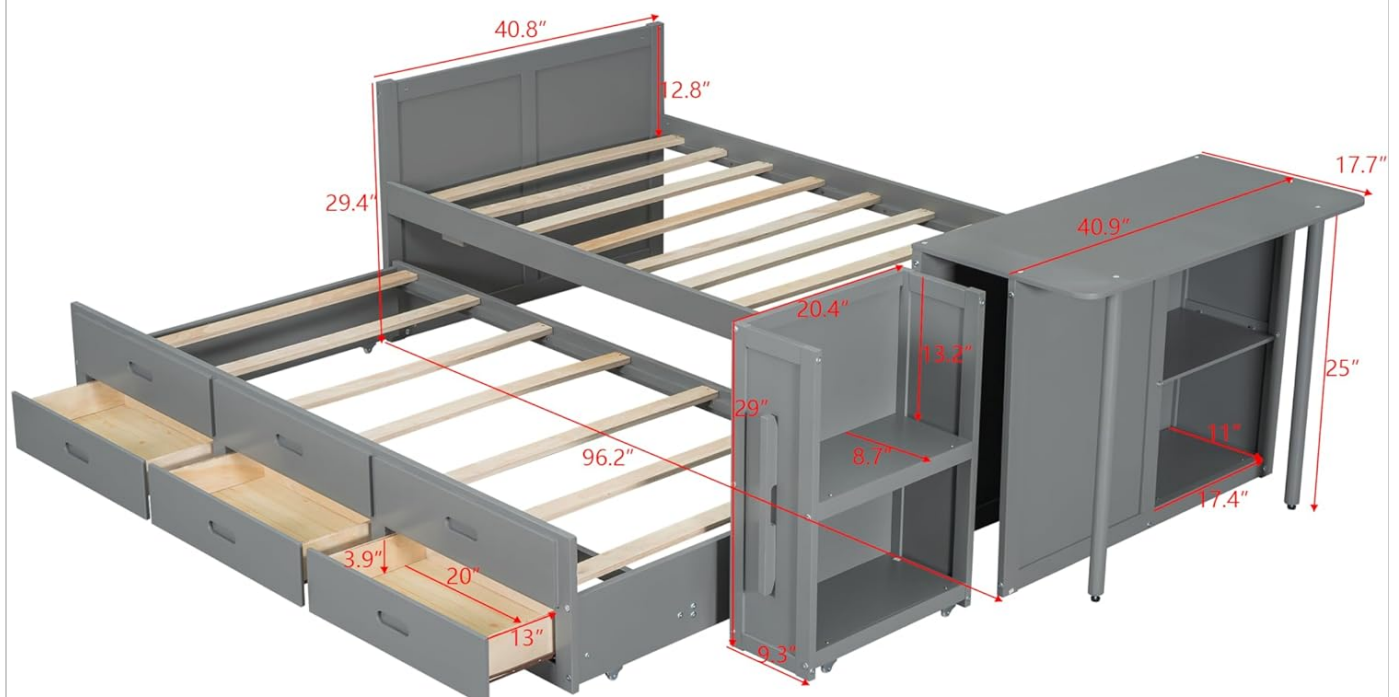


Figure 1: Overall dimensions of the bed, trundle, drawers, and desk unit.



Figure 2: Fully assembled bed with all components in their compact configuration.

Operating Instructions

This multi-functional bed offers several features for optimized space utilization.

- **Using the Trundle Bed:** To extend the trundle bed, gently pull the handle located on the front panel. The trundle is equipped with wheels for smooth movement. Push it back into place when not in use. Ensure the area is clear before extending or retracting.
- **Accessing Storage Drawers:** The three drawers are located beneath the main bed frame. Pull the handles to open and push to close. Ensure items stored within do not obstruct the drawer mechanism.
- **Utilizing the Desk and Shelf:** The integrated desk can be extended for use as a workspace. Pull the desk surface outwards from the main unit. The shelves provide additional storage for books or personal items.



Figure 3: Trundle bed extended and drawers open, demonstrating storage and guest bed functionality.



Figure 4: Desk extended and in use, highlighting the functional workspace and integrated shelving.

Maintenance

Regular maintenance will help preserve the appearance and functionality of your bed.

- **Cleaning:** Wipe surfaces with a soft, damp cloth. Avoid harsh chemicals or abrasive cleaners, which can damage the finish.
- **Hardware Check:** Periodically (every 3-6 months) inspect all bolts and screws. Re-tighten any loose hardware to maintain structural integrity.
- **Moving the Bed:** When moving the bed, lift it rather than dragging it to prevent damage to the frame and floor.
- **Trundle and Drawer Rails:** Keep trundle wheels and drawer slides free of dust and debris to ensure smooth operation. A silicone-based lubricant can be applied sparingly if movement becomes stiff.

Troubleshooting

If you encounter any issues, refer to the following common solutions:

- **Squeaking Noises:** Check all hardware connections and tighten any loose bolts or screws. Ensure the bed is on a level surface.
- **Drawers or Trundle Stick:** Inspect the drawer slides and trundle wheels for obstructions (e.g., debris, clothing). Ensure the tracks are clean. A small amount of lubricant can be applied to the slides if needed.
- **Bed Feels Unstable:** Verify that all assembly steps were followed correctly and all hardware is fully tightened. Ensure the bed is placed on a flat, even floor.

If problems persist, please contact RuiSiSi customer support for further assistance.

Specifications

Product Type	Platform Bed
Model Number	WS03130
Color	Grey
Size	Twin
Material	Pinewood, Plywood, MDF
Overall Product Dimensions	96.2"L x 40.9"W x 29.4"H
Number of Slats	10
Weight Capacity (Bed)	350 lbs
Weight Capacity (Trundle)	330 lbs
Weight Capacity (Drawer)	66 lbs each
Weight Capacity (Desk)	330 lbs
Recommended Mattress Thickness	6-8 inches
Assembly Required	Yes

Customer Support

For missing parts, damaged components, or any questions regarding the assembly or operation of your RuiSiSi Twin Size Platform Bed, please contact the manufacturer or retailer from whom you purchased the product. Please have your model number (WS03130) and purchase information ready when contacting support.

