

[Manuals.plus](#) /

> [Merax](#) /

> Merax 24-inch Bathroom Vanity with Sink Instruction Manual (Model d0442347-4927-49d1-af08-d369c3fed074)

Merax d0442347-4927-49d1-af08-d369c3fed074

Merax 24-inch Bathroom Vanity with Sink Instruction Manual

Brand: Merax | **Model:** d0442347-4927-49d1-af08-d369c3fed074

1. IMPORTANT SAFETY INFORMATION

Please read and understand all instructions before assembly and use. Keep this manual for future reference.

- Always use appropriate safety gear when handling heavy items.
- Be cautious of sharp edges and pinch points during installation and use.
- Keep the area around the vanity clear to prevent tripping hazards.
- Do not exceed the weight limit of the vanity top and cabinet.
- Always turn off the water supply before performing any maintenance on the sink or faucet.
- Ensure proper ventilation during assembly if using adhesives or sealants.

2. PRODUCT OVERVIEW

The Merax 24-inch Bathroom Vanity with Sink is designed to provide functional storage and a modern aesthetic to your bathroom. It features a solid wood frame, an adjustable interior shelf, and a bottom drawer for organized storage.



Figure 2.1: Merax 24-inch Green Bathroom Vanity with Sink, showcasing its modern design.

Key Features:

- **Traditional Design with Modern Elements:** Combines classic style with functional construction.
- **Ample Storage:** Two soft-close doors conceal an adjustable shelf, and a full-extension bottom drawer provides additional space.
- **Durable Construction:** Crafted from solid wood and TSCA compliant MDF for longevity.
- **Ceramic Sink Top:** Includes a 24-inch white ceramic vanity top with three pre-drilled holes for a 4-inch faucet (faucet not included) and an overflow drain.
- **Quality Hardware:** Features soft-close door hinges and satin nickel hardware.



Figure 2.2: The vanity with doors and drawer open, illustrating the internal storage capacity.



Figure 2.3: Detailed view of soft-closing hinges, glossy ceramic basin, and anti-spill hole.

3. PACKAGE CONTENTS

Verify that all components are present before beginning assembly.

- Vanity Cabinet (pre-assembled components)
- Ceramic Sink Top
- Adjustable Shelf
- Drawer (pre-assembled)
- Hardware Pack (screws, hinges, handles, drawer slides)
- Assembly Instructions Manual

4. SPECIFICATIONS

Feature	Detail
Brand	Merax
Model Number	d0442347-4927-49d1-af08-d369c3fed074

Feature	Detail
UPC	196986454361
Color	Green
Material	Engineered Wood, Solid Wood Frame
Top Material Type	Ceramic
Product Dimensions (D x W x H)	18.3" x 24" x 33"
Number of Doors	2
Number of Drawers	1
Number of Shelves	1 (adjustable)
Installation Type	Freestanding
Required Assembly	Yes
Faucet Compatibility	3 pre-drilled holes for 4" centerset faucet (faucet not included)

SIZE: INCH

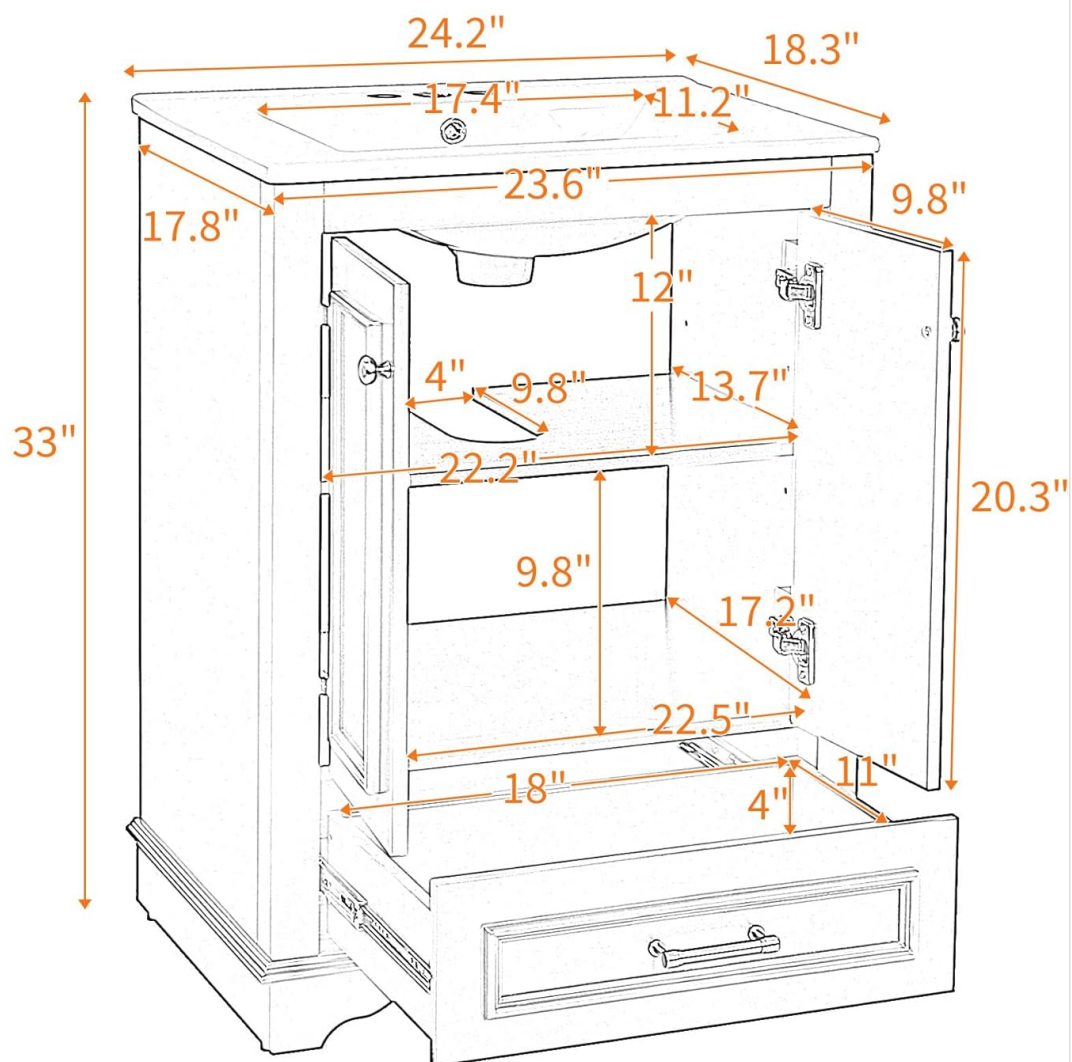


Figure 4.1: Dimensional drawing of the Merax 24-inch Bathroom Vanity.

5. SETUP AND ASSEMBLY INSTRUCTIONS

Assembly is required for this product. Detailed instructions are included in the package. Please follow them carefully.

General Assembly Steps:

1. **Unpack Components:** Carefully remove all parts from the packaging. Lay them out on a clean, soft surface to prevent scratches.
2. **Identify Hardware:** Match all hardware to the parts list provided in the separate assembly guide.
3. **Assemble Cabinet Frame:** Follow the step-by-step instructions to assemble the main cabinet structure. Ensure all connections are secure.
4. **Install Drawer Slides:** Attach the drawer slides to the cabinet and the drawer according to the guide.
5. **Insert Adjustable Shelf:** Place the adjustable shelf supports at the desired height and insert the shelf.
6. **Attach Doors:** Mount the soft-close hinges to the doors and then attach the doors to the cabinet. Adjust as needed for proper alignment.
7. **Install Handles:** Secure the handles to the doors and drawer.
8. **Place Ceramic Sink Top:** Carefully position the ceramic sink top onto the assembled cabinet. Apply a bead of silicone sealant (not included) around the top edge of the cabinet if desired for a watertight seal, but ensure it can be removed for future maintenance.
9. **Connect Plumbing:** Install your chosen 4-inch centerset faucet (not included) and connect the water supply lines and drain according to local plumbing codes. Ensure all connections are tight to prevent leaks.

Note: It is recommended to have two people for assembly, especially when handling the ceramic sink top.

6. OPERATION

The Merax Bathroom Vanity is designed for straightforward use.

Using the Sink:

- Ensure your faucet is properly installed and connected to the water supply.
- The ceramic sink features an overflow drain to help prevent water from spilling over the edge if the main drain is blocked.

Using the Storage:

- The two cabinet doors open to reveal an adjustable shelf. You can reposition the shelf to accommodate items of various heights.
- The bottom drawer provides additional storage for smaller bathroom essentials. The full-extension slides allow for easy access to the entire drawer contents.
- The soft-close hinges on the doors ensure quiet and gentle closing, preventing slamming.

7. MAINTENANCE AND CARE

Proper care will ensure the longevity and appearance of your vanity.

Ceramic Sink Top:

- Clean regularly with a soft cloth and mild, non-abrasive cleaner.
- Avoid harsh chemicals, abrasive pads, or acidic cleaners, as these can damage the ceramic surface.
- Rinse thoroughly after cleaning and wipe dry to prevent water spots.

Vanity Cabinet:

- Wipe the painted surfaces with a soft, damp cloth.
- Avoid excessive moisture. Immediately wipe up any spills to prevent water damage.
- Do not use abrasive cleaners, solvents, or polishes containing silicone, as they may damage the finish.
- Periodically check all hardware connections (screws, hinges, drawer slides) and tighten if necessary.

8. TROUBLESHOOTING

Refer to this section for common issues and their solutions.

Issue: Water Leakage from Sink or Faucet

- **Solution:** Turn off the water supply. Check all plumbing connections for tightness. Ensure plumber's tape or sealant was used correctly on threaded connections. Inspect the drain assembly for proper sealing.

Issue: Cabinet Doors Are Misaligned or Do Not Close Properly

- **Solution:** The soft-close hinges are adjustable. Refer to the hinge adjustment section in your detailed assembly instructions to align the doors. Small screws on the hinges allow for horizontal, vertical, and depth adjustments.

Issue: Drawer Does Not Slide Smoothly

- **Solution:** Ensure the drawer slides are properly installed and aligned. Check for any obstructions in the drawer tracks. Lubricate the slides with a silicone-based lubricant if necessary.

Issue: Scratches or Minor Damage to Cabinet Finish

- **Solution:** For minor scratches, touch-up paint may be available from the manufacturer or a compatible color can be sourced from a hardware store. Consult the manufacturer for specific recommendations.

9. WARRANTY AND SUPPORT

For warranty information or technical support, please contact Merax customer service. Details can typically be found on the product packaging or the official Merax website.

When contacting support, please have your model number (d0442347-4927-49d1-af08-d369c3fed074) and proof of purchase readily available.

