



[Manuals.plus](#) /

- › [DNA MOTORING](#) /
- › DNA MOTORING 6.5" Running Boards Side Steps Instruction Manual

DNA MOTORING STEPB-U-F25017-T1-E

DNA MOTORING 6.5" Running Boards Side Steps Instruction Manual

Brand: DNA MOTORING | **Model:** STEPB-U-F25017-T1-E

1. INTRODUCTION

This manual provides detailed instructions for the installation, operation, and maintenance of your DNA MOTORING 6.5" Running Boards Side Steps. Please read this manual thoroughly before installation and use to ensure proper fitment, safe operation, and to maximize the lifespan of your product. Retain this manual for future reference.

2. PRODUCT OVERVIEW

The DNA MOTORING 6.5" Running Boards are designed to provide a convenient and safe step into and out of your vehicle, while also enhancing its appearance. Constructed from durable, rust-resistant stainless steel and mild steel, these running boards feature a polished finish for long-lasting durability. The step pads are made from ABS plastic with a non-slip design to prevent slipping, and are UV and rust resistant.



Image 2.1: Overall view of the DNA MOTORING 6.5" Running Boards.

BUILT FROM DURABLE, RUST-RESISTANT, STAINLESS STEEL



Image 2.2: Detail showing stainless steel construction, polished finish, and non-slip ABS plastic step pads.

EASY TO INSTALL



High Strength
Mounting Bracket



NO-DRILL INSTALLATION BOLTS RIGHT TO
FACTORY MOUNTING POINTS IN LESS THAN
AN HOUR (MOST MODELS)

Image 2.3: Overall dimensions of the running boards, indicating 73" length and 6.5" width.

3. SAFETY INFORMATION

- Always ensure the running boards are securely installed before use. Regularly check all mounting hardware for tightness.
- Do not exceed the maximum weight capacity of **350 pounds** per running board. Exceeding this limit can cause damage to the product or vehicle, and may result in injury.
- Exercise caution when stepping on or off the running boards, especially in wet or icy conditions, as surfaces may become slippery.
- Keep hands and feet clear of moving parts during installation.
- If you are unsure about any part of the installation process, consult a qualified professional.

4. PACKAGE CONTENTS

Verify that all components are present before beginning installation:

- 2 x Stainless Steel Running Boards
- Mounting Brackets (Quantity as required for your vehicle's cab type)

5. COMPATIBILITY

These running boards are compatible with the following vehicle models and cab configurations:

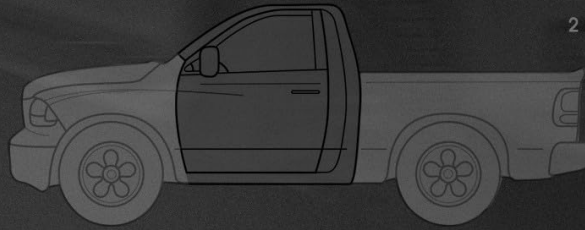
- Ford F150 Extended Cab (2015-2024)
- Ford F250 Super Duty Extended Cab (2017-2024)
- Ford F350 Super Duty Extended Cab (2017-2024)

Note: Extended Cab models typically have two full-size front doors and two smaller rear doors. Please verify your vehicle's cab type before installation.

TRUCK CAB CONFIGURATION CHART

REGULAR CAB (STANDARD CAB)

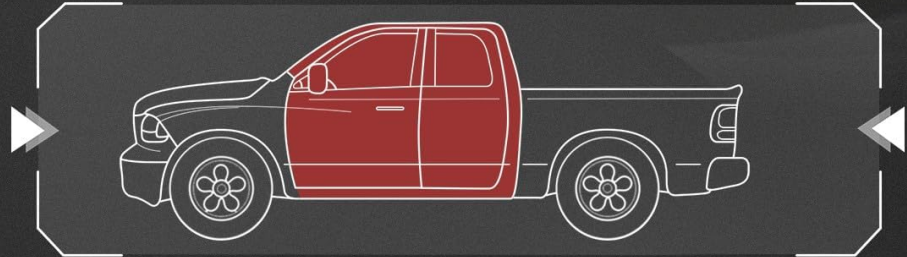
- CHEVY & GMC - Regular Cab
- DODGE - Regular Cab
- FORD - Regular Cab
- NISSAN - Regular Cab
- TOYOTA - Regular Cab



2 FULL SIZE DOORS

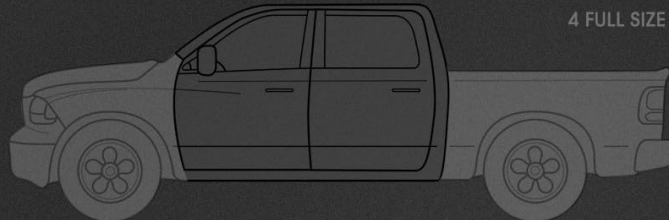
EXTENDED CAB

- CHEVY & GMC - Extended Cab
- DODGE - Extended Cab
- FORD - Super Cab
- NISSAN - King Cab
- TOYOTA - Access Cab



CREW CAB

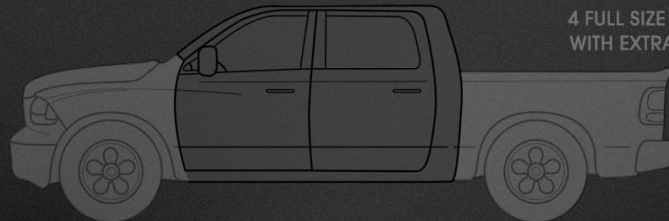
- CHEVY & GMC - Crew Cab
- DODGE - Crew Cab
- FORD - Super Crew
- NISSAN - Crew Cab
- TOYOTA - Crew Cab



4 FULL SIZE DOORS

MEGA CAB

- DODGE - Mega Cab



4 FULL SIZE DOORS
WITH EXTRA SPACE

Image 5.1: Visual representation of compatible Ford F-Series Extended Cab models.

TRUCK CAB CONFIGURATION



REGULAR CAB

2 Full Size Doors



EXTENDED CAB

2 Full Size Doors +
2 Half Size Doors



CREW CAB

4 Full Size Doors



MEGA CAB

4 Full Size Doors
with Extra Space

Image 5.2: General truck cab configuration chart, highlighting the Extended Cab type.

6. SETUP (INSTALLATION)

Installation of these running boards is designed to be a no-drill process, bolting directly to factory mounting points on most models. The process can typically be completed in less than an hour.

6.1 General Installation Steps:

1. Identify the factory mounting points along the vehicle's frame or rocker panel. These are typically pre-drilled holes.
2. Attach the provided mounting brackets to the vehicle's frame using the appropriate hardware. Ensure all bolts are finger-tight at this stage.
3. Position the running board onto the attached brackets. Align the holes on the running board with the holes on the brackets.
4. Secure the running board to the brackets using the remaining hardware.
5. Once both running boards are in place and all hardware is installed, progressively tighten all bolts to the manufacturer's recommended torque specifications (if available, otherwise tighten securely). Ensure the running boards are level and stable.

Important Note on Brackets: Crew cab models (Four Full Doors) will require all of the included mounting brackets for optimal support. For all other cab models (standard, extended, access, double etc.), while a minimum of two brackets per side are required, it is highly recommended to use as many of the included brackets as possible on each side for enhanced stability and strength.

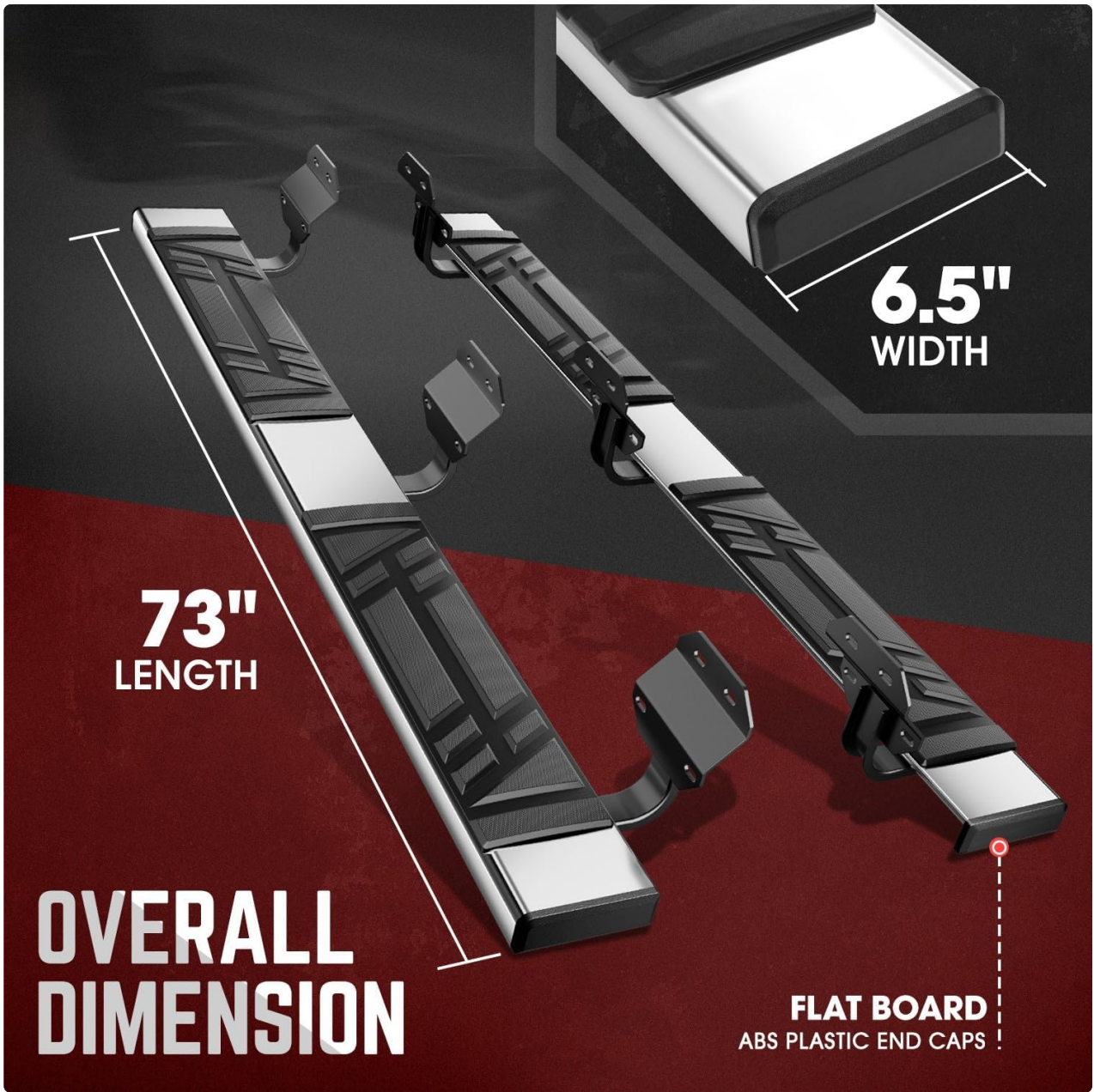


Image 6.1: Illustration of the no-drill installation process and high-strength mounting brackets.

DETAILS

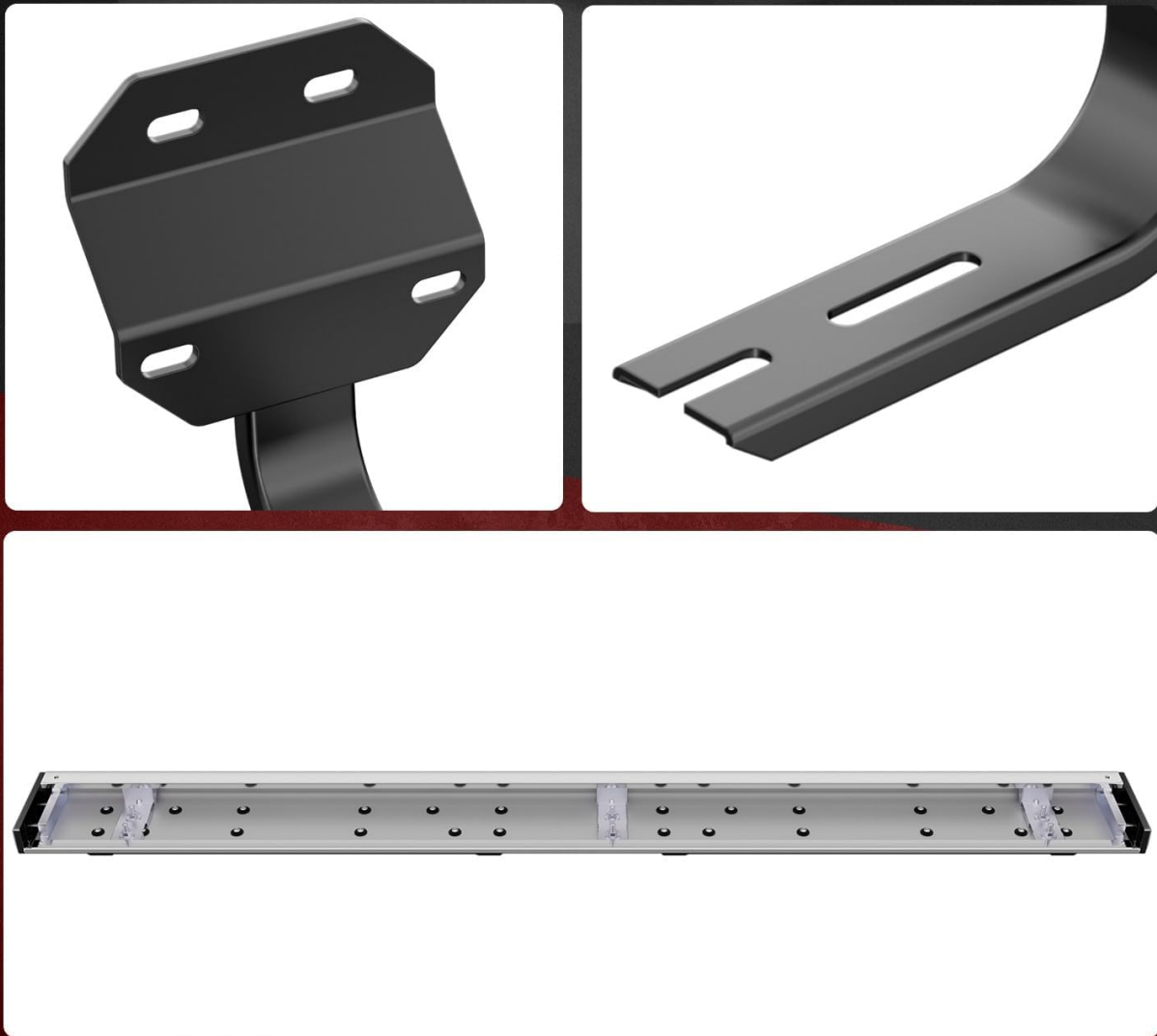


Image 6.2: Close-up view of the mounting bracket and the underside of the running board.

7. OPERATING (USAGE)

To use the running boards, simply step onto the non-slip surface when entering or exiting your vehicle. The robust construction and non-slip pads provide a secure footing. Always ensure your footwear has good grip, especially in adverse weather conditions.



Image 7.1: Demonstrates stepping on the running board, highlighting the 350 lbs maximum capacity.

8. MAINTENANCE

Regular maintenance will help preserve the appearance and functionality of your running boards.

- **Cleaning:** Clean the running boards regularly with mild soap and water. Avoid abrasive cleaners or harsh chemicals that could damage the polished finish or the ABS plastic step pads. Rinse thoroughly with clean water and dry with a soft cloth to prevent water spots.
- **Inspection:** Periodically inspect all mounting hardware, bolts, and brackets for tightness and signs of corrosion or damage. Re-tighten any loose fasteners. Check the running board surface for any cracks, bends, or excessive wear.
- **Corrosion Prevention:** While the running boards are rust-resistant, exposure to road salt and harsh weather conditions can accelerate wear. Regular cleaning and application of a protective wax or polish designed for stainless steel can help maintain the finish.

9. TROUBLESHOOTING

If you encounter issues with your running boards, consider the following:

- **Loose or Wobbly Running Boards:** This is typically caused by loose mounting hardware. Re-check and tighten all bolts connecting the running boards to the brackets and the brackets to the vehicle frame. Ensure all recommended brackets are used for your cab type.
- **Difficulty Aligning During Installation:** Double-check that you have the correct running board for the correct side of the vehicle (if applicable) and that the brackets are oriented correctly. Ensure you are using the designated factory mounting points.
- **Damage or Bending:** If a running board appears bent or damaged, especially after use, verify that the maximum weight capacity of 350 pounds has not been exceeded. Inspect for any impact damage. If the product is structurally compromised, it should be replaced for safety.
- **Corrosion/Rust Spots:** Despite being rust-resistant, prolonged exposure to harsh elements without proper cleaning can lead to surface corrosion. Refer to the maintenance section for cleaning and prevention tips.

For issues not covered here, or if problems persist, please contact DNA MOTORING customer support.

10. SPECIFICATIONS

| Feature | Specification |
|-----------------------------|---|
| Model | STEPB-U-F25017-T1-E |
| Brand | DNA MOTORING |
| Color | Chrome / Black |
| Material | Stainless Steel / Mild Steel / ABS Plastic |
| Exterior Finish | Polished |
| Item Dimensions (L x W x H) | 73 x 9 x 4 inches |
| Product Dimensions | 73 x 9 x 4 inches |
| Item Weight | 45.6 pounds |
| Weight Limit | 350 Pounds |
| Vehicle Service Type | Compatible with Ford F150 Extended Cab 2015-2024 / F250 SD F350 SD Extended Cab 2017-2024 |
| UPC | 194286361099 |
| Automotive Fit Type | Vehicle Specific Fit |
| Manufacturer | DNA Motoring |

11. WARRANTY AND SUPPORT

Specific warranty details for this product are not provided in this manual. For information regarding product warranty, returns, or technical support, please contact the seller or manufacturer directly. You may also visit the official DNA MOTORING store for more information:

[Visit the DNA MOTORING Store on Amazon](#)