

OHLPRO W11C

OHLPRO 15W MagSafe Car Mount Charger (Model W11C) User Manual

Model: W11C

1. INTRODUCTION

The OHLPRO 15W MagSafe Car Mount Charger (Model W11C) provides a convenient and secure solution for mounting and wirelessly charging your smartphone in your vehicle. Featuring dual installation options (CD slot or dashboard) and a strong magnetic hold, it ensures your device remains stable and powered during travel. This manual provides detailed instructions for setup, operation, and maintenance.

2. WHAT'S IN THE BOX

- 1x CD Slot Mount
- 1x 3M Adhesive Base
- 1x Magnetic Phone Charger Unit
- 1x Magnetic Ring (for non-MagSafe devices/cases)
- 1x User Guide

3. KEY FEATURES

- **2-in-1 Mounting Options:** Securely install in your car's CD slot or use the 3M adhesive base for dashboard mounting.
- **15W Fast Wireless Charging:** Delivers efficient power to MagSafe-compatible iPhone 12 series and newer, as well as other compatible devices with the magnetic ring.
- **Ultra-Strong Magnetic Hold:** Equipped with 14 N52 industrial-grade magnets for a stable grip, even on uneven roads.
- **360° Adjustable Viewing:** A rotatable ball joint and foldable arm allow for optimal viewing angles for navigation and hands-free use.
- **Premium Aluminum Design:** Durable aluminum alloy construction provides a sleek and modern

aesthetic.

4. SETUP INSTRUCTIONS

4.1 Component Overview

Familiarize yourself with the main components of your OHLPRO car mount charger.



Image: Magnetic charging unit with strong magnets for secure attachment.

Universal CD Slot Mount

Works with most car cd player, no interference with playing CDs

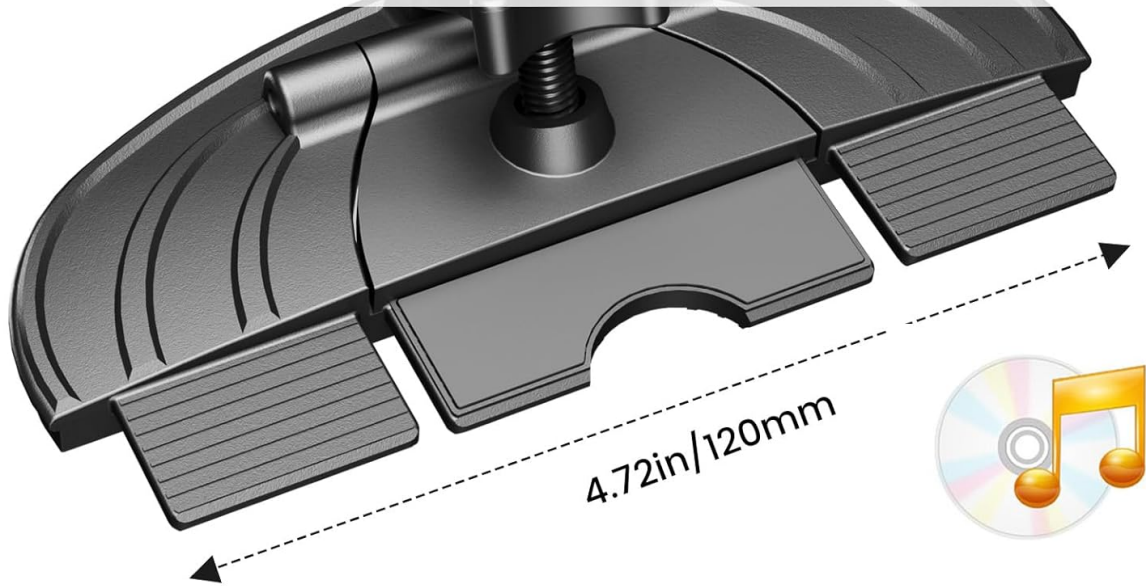


Image: Universal CD Slot Mount designed to fit most car CD players without interference.

No Blind Spots & Large Screen Navigation



Image: Dashboard mounting option with a strong 3M VHB adhesive base.

Fits All Sizes of Phones

Work with iPhone

iPhone Series or Magsafe Case



Work With Metal Ring

All Phones or Non-Magsafe Cases

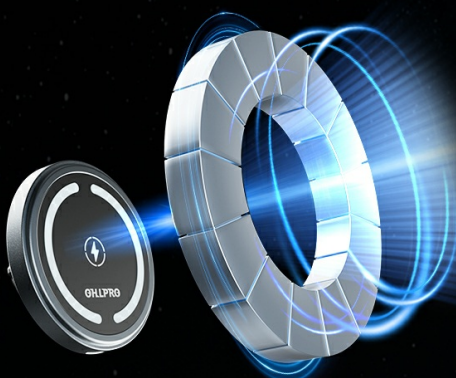


Image: Magnetic ring for adapting non-MagSafe phones or cases for magnetic attachment.

4.2 CD Slot Installation

1. Attach the magnetic phone charger unit to the ball joint of the CD slot mount.
2. Insert the CD slot mount into your car's CD player opening.
3. Tighten the knob on the mount until it is securely fixed in the CD slot. Ensure it is stable and does not obstruct your view or controls.

14 N52 Super Powerful Magnetic Force



Strong

N52

N50

N48



Image: Detailed view of the CD slot mount dimensions and how it inserts into the CD player.

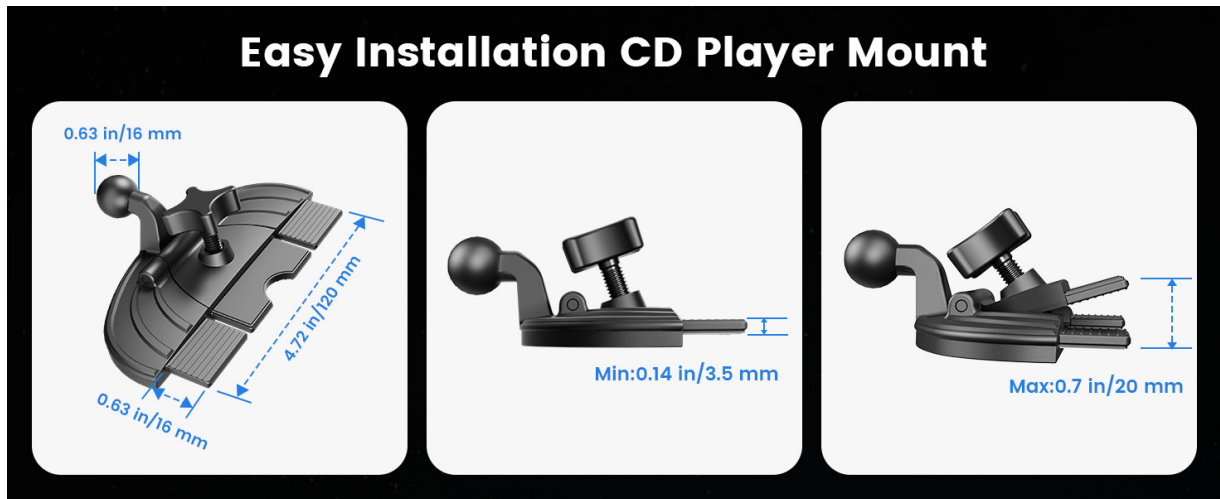


Image: Step-by-step guide for securing the CD slot mount by inserting and tightening.

Video: Demonstration of installing the OHLPRO car mount charger into a CD slot and onto a dashboard.

4.3 Dashboard Installation

1. Attach the magnetic phone charger unit to the ball joint of the 3M adhesive base.
2. Clean the desired dashboard surface thoroughly to ensure optimal adhesion.
3. Peel off the protective film from the 3M adhesive base.
4. Press the adhesive base firmly onto the cleaned dashboard surface for at least 30 seconds. Allow 24 hours for the adhesive to fully cure before attaching your phone.

4.4 Magnetic Ring Installation (for non-MagSafe devices)

If your phone or phone case is not MagSafe compatible, use the included magnetic ring for secure attachment.

1. Use the provided alignment guide to find the center of your phone or case.
2. Clean the back surface of your phone or case where the ring will be applied.
3. Peel off the adhesive backing from the magnetic ring.
4. Carefully align and press the magnetic ring onto the center of your phone or case.

5. OPERATING INSTRUCTIONS

1. Connect the USB-C cable from the magnetic charger unit to a compatible USB power source in your car (e.g., car charger adapter, USB port).
2. Once the charger is powered, simply place your MagSafe-compatible phone (or phone with the installed magnetic ring) onto the magnetic charging surface. The magnets will automatically align and secure your phone.
3. The phone should begin charging wirelessly. A charging indicator may appear on your phone screen.
4. Adjust the viewing angle using the 360° rotatable ball joint and foldable arm for optimal visibility and comfort.

One Hand Operation



Image: Easy one-hand operation for attaching your phone to the magnetic charger.

2 Steps for CD Slot Clamp

Install as shown



1. Put in CD play



2. Tighten wing nuts

Image: The mount offers infinite viewing angles, supporting both vertical and horizontal directions.

6. MAINTENANCE

- Keep the charger unit and mounting surfaces clean and free from dust or debris. Use a soft, dry cloth for cleaning.

- Avoid exposing the device to extreme temperatures, direct sunlight for prolonged periods, or excessive moisture.
- Ensure cables are not pinched or damaged during installation or use.

7. TROUBLESHOOTING

- **Device not charging:**

- Ensure the USB-C cable is securely connected to both the charger unit and the car's power source.
- Verify that the car's power source (e.g., cigarette lighter adapter, USB port) is functional.
- Check if your phone is properly aligned on the magnetic charging surface.
- Remove any thick or non-MagSafe compatible phone cases that might interfere with wireless charging.

- **Weak magnetic hold:**

- Ensure your phone or case has a built-in MagSafe magnet or that the provided magnetic ring is correctly installed.
- Check for any foreign objects between the phone and the charger that might weaken the magnetic connection.

- **Charger overheating:**

- Ensure adequate ventilation around the charger.
- Use a car charger adapter that provides sufficient and stable power output (e.g., 15W or higher).

8. SPECIFICATIONS

Attribute	Value
Brand	OHLPRO
Series	MagSafe Car Mount Charger CD Slot W11C
Model Number	W11C
Item Weight	8.1 ounces
Package Dimensions	6.65 x 4.49 x 3.03 inches
Color	Gray
Manufacturer	Shenzhen Hengyehui Technology Co., Ltd.
Compatible Devices	Car CD Slot: Mount is designed to fit into most car CD slots

Compatible Phone Models	MagSafe CD car charger for Samsung Galaxy: Galaxy S23, S22, S21, S20 series, Note 20 series (with metal ring attachment); MagSafe CD slot car mount charger for iPhone: iPhone 17, 16, 15, 14, 13, 12 series (supports MagSafe for secure magnetic attachment); MagSafe CD slot car mount for Google Pixel: Pixel 8, Pixel 7, Pixel 6 series (with metal ring attachment)
Mounting Type	CD Slot Mount, Dashboard Mount

9. WARRANTY & SUPPORT

For warranty information or technical support, please refer to the contact details provided in the packaging or visit the official OHLPRO store on Amazon. You may also contact the seller, RCDDZSM, for assistance.