



[Manuals.plus](#) /

> [5Rcom](#) /

> 5Rcom Floor TV Stand with Hidden Wheels Instruction Manual

## 5Rcom Floor TV Stand with Hidden Wheels

# 5Rcom Floor TV Stand with Hidden Wheels Instruction Manual

MODEL: FLOOR TV STAND WITH HIDDEN WHEELS

## Introduction

---

Thank you for choosing the 5Rcom Floor TV Stand with Hidden Wheels. This manual provides essential information for the safe and correct assembly, operation, and maintenance of your new TV stand. Please read these instructions carefully before beginning assembly and retain them for future reference.



Image: The 5Rcom Floor TV Stand positioned in a modern bedroom, showcasing its sleek design and how it integrates with home decor.

## Product Overview

The 5Rcom Floor TV Stand is designed for versatility and stability, offering a mobile and adjustable solution for your television. Key features include:

- **Concealed Caster Wheels:** Four ultra-low, nearly invisible wheels allow for smooth movement across various rooms.
- **Universal TV Compatibility:** Supports most TVs from 24 to 55 inches, weighing up to 30 kg.
- **VESA Compliance:** Compatible with VESA patterns ranging from 100x100 mm (min) to 400x400 mm (max).
- **Swivel Functionality:** Screen can be rotated 30 degrees left or right for optimal viewing angles.
- **Height Adjustment:** Easily adjust the TV height for a comfortable viewing experience.
- **Robust Construction:** Features a reinforced alloy steel pole and a stable wood-textured base.
- **Integrated Cable Management:** Helps keep cables organized and out of sight.



Image: A close-up showing the integrated cable management clips, the safety lock mechanism for the TV bracket, and the durable alloy steel pole.

## Specifications

Feature	Detail
Mounting Type	Floor Stand
Movement Type	Swivel ( $\pm 30^\circ$ )
Compatible TV Sizes	24 - 55 inches
Maximum Load Capacity	30 kg (66 lbs)
VESA Compatibility	100x100mm to 400x400mm

Feature	Detail
Material	Alloy Steel, Wood
Color	White (pole), Wood texture (base)
Overall Dimensions (L x W x H)	550 x 380 x 1010-1310 mm (adjustable height)

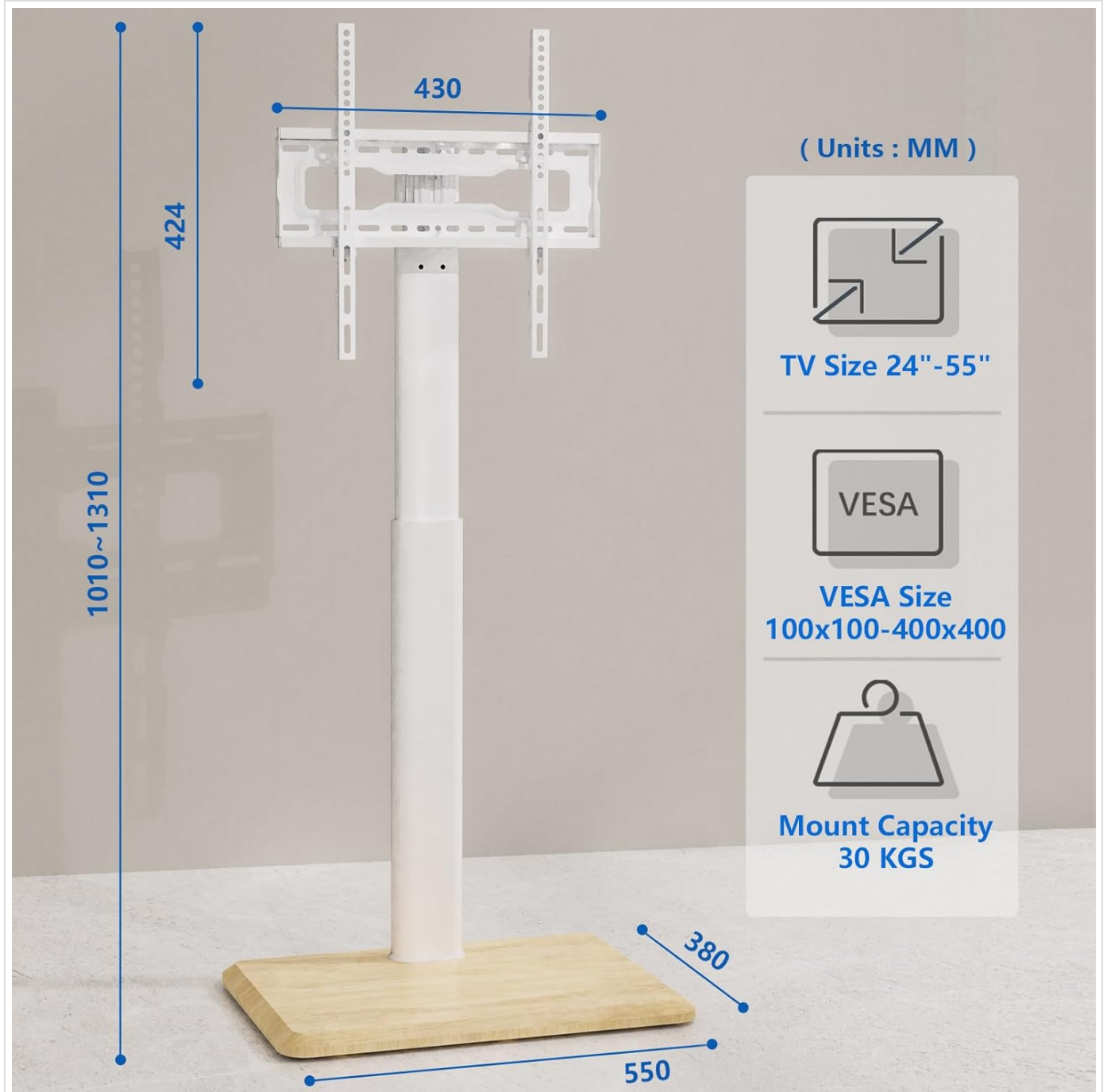


Image: A detailed diagram illustrating the stand's dimensions, supported TV sizes, VESA mounting patterns, and maximum weight capacity.

# WILL THIS TV CART FIT MY TV?




Check: VESA	Check: TV Size	Check: TV Weight
Min VESA -- 100(w)mm x 100(h)mm Max VESA -- 400(w)mm x 400(h)mm		
		
VESA= Width x Height	Size: 24" - 55"	Weight : 30 kgs
<b>VESA</b> Patterns	<b>W x H</b>	
	100 x 100 MM 200 x 100 MM 200 x 200 MM	300 x 200 MM 300 x 300 MM 400 x 200 MM
		400 x 300 MM 400 x 400 MM

Image: A chart explaining how to check VESA compatibility, TV size, and TV weight to ensure proper fit with the stand.

## Safety Information

To ensure safe operation and prevent damage, please observe the following safety guidelines:

- Do not exceed the maximum weight capacity of 30 kg (66 lbs).
- Ensure your TV's VESA pattern falls within the supported range (100x100mm to 400x400mm).
- Always assemble the stand on a soft, clean surface to prevent scratches.
- Verify all screws and connections are securely tightened before mounting the TV.
- Keep children and pets away from the stand during assembly and operation.
- Do not hang or climb on the TV stand.
- Distribute the TV's weight evenly on the mounting brackets.
- Use the provided safety lock to secure the TV to the stand.

## Setup and Assembly Instructions

The 5Rcom Floor TV Stand is designed for easy assembly. Follow these steps carefully:

1. **Unpack Components:** Carefully remove all parts from the packaging and lay them out on a soft, flat surface. Verify all parts are present according to the included parts list.
2. **Assemble the Base:** Attach the main support pole to the wooden base using the designated screws. Ensure a firm connection.
3. **Install Caster Wheels:** Insert the concealed caster wheels into the pre-drilled holes on the underside of the base.
4. **Attach TV Brackets:** Secure the vertical TV brackets to the back of your television using the appropriate VESA screws and spacers. Refer to your TV's manual for specific VESA hole locations.
5. **Mount TV to Stand:** Carefully lift the TV with the attached brackets and hook them onto the main support pole's mounting plate. Ensure the brackets are properly seated.
6. **Secure TV with Safety Lock:** Engage the safety lock mechanism to prevent the TV from accidentally dislodging from the stand.
7. **Cable Management:** Route all TV cables through the integrated cable management clips on the back of the support pole for a tidy appearance.

Your browser does not support the video tag.

Video: Official product video demonstrating the assembly process, key features like swivel and height adjustment, and the concealed caster wheels of the 5Rcom Floor TV Stand.

## Operating Instructions

- **Swiveling the TV:** Gently grasp the sides of your TV and rotate it left or right. The stand allows for a  $\pm 30^\circ$  degree swivel to achieve your desired viewing angle. Avoid forcing the TV beyond its rotational limits.



**ENJOY THE  
BEST VISUAL FEAST  
WITHOUT MOVING TV**

*Image: An illustration demonstrating the TV stand's ability to swivel the television screen 30 degrees to either side.*

- **Adjusting TV Height:** The TV plate offers 2 levels of height adjustment, and the brackets offer 3 levels. To adjust, carefully remove the TV from the stand (if necessary), reposition the brackets or plate to the desired height, and re-secure. Always ensure the TV is stable after adjustment.

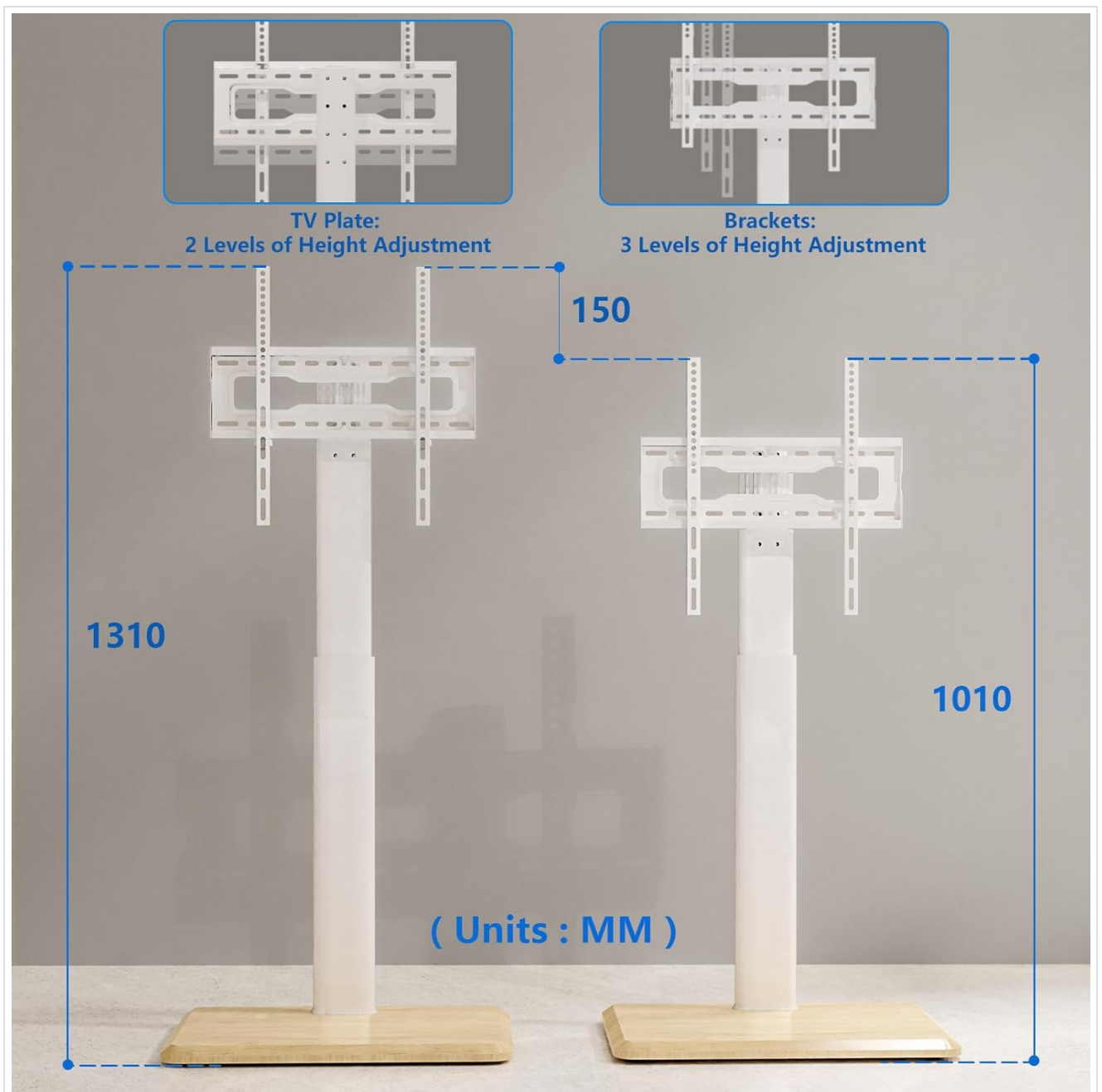
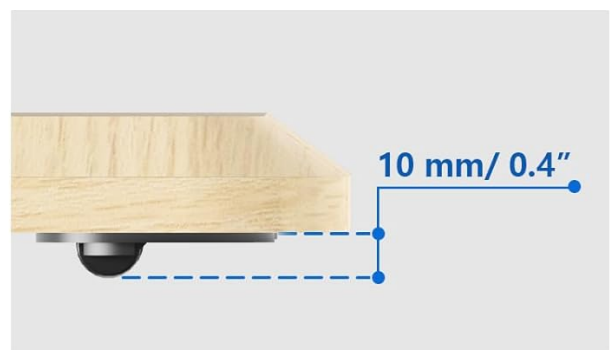


Image: A diagram showing the different height adjustment options for both the TV plate and the mounting brackets.

- **Moving the Stand:** The concealed caster wheels allow for easy repositioning. Gently push the stand from the base to move it. Ensure the path is clear of obstacles and the floor surface is suitable for smooth movement.



*Image: A close-up view of the discreetly integrated caster wheels located on the underside of the stand's wooden base.*

## Maintenance

Regular maintenance helps prolong the life and appearance of your TV stand:

- **Cleaning:** Wipe the stand with a soft, dry cloth. For stubborn marks, use a slightly damp cloth with mild soap, then dry thoroughly. Avoid harsh chemicals or abrasive cleaners.
- **Check Connections:** Periodically check all screws and bolts to ensure they remain tight and secure. Retighten if necessary.
- **Inspect Wheels:** Ensure the caster wheels are free of debris and roll smoothly. Clean if needed.

## Troubleshooting

If you encounter any issues with your TV stand, refer to the following common problems and solutions:

- **Stand is Unstable:**
  - Ensure all assembly screws are fully tightened.
  - Verify the TV's weight and VESA pattern are within the stand's specifications.

- Make sure the stand is placed on a flat, level surface.

- **Difficulty Moving the Stand:**

- Check if the caster wheels are obstructed by debris or carpet fibers.
- Ensure the floor surface is suitable for rolling wheels.

- **TV Does Not Fit Brackets:**

- Confirm your TV's VESA pattern matches the stand's supported range (100x100mm to 400x400mm).
- Ensure you are using the correct screws and spacers for your TV model.

## Warranty and Support

---

This 5Rcom Floor TV Stand comes with a **2-year manufacturer's warranty** from the date of purchase. This warranty covers defects in materials and workmanship under normal use.

For warranty claims, technical assistance, or any questions not covered in this manual, please contact 5Rcom customer support through the retailer where you purchased the product or visit the official 5Rcom website for contact information.