



Manuals.plus /

› Kojem /

› Kojem Class 4 Trailer Hitch (Model LYAM-769S) for 2016-2023 Toyota Tacoma Instruction Manual

Kojem LYAM-769S

Kojem Class 4 Trailer Hitch Instruction Manual

MODEL: LYAM-769S

1. Product Overview

This manual provides instructions for the installation, operation, and maintenance of the Kojem Class 4 Trailer Hitch, Model LYAM-769S. This product is designed to equip your vehicle with a standard 2-inch x 2-inch hitch receiver, enabling various towing applications.

Compatibility: This trailer hitch is compatible with **2016-2023 Toyota Tacoma** models. Verify your vehicle's make, model, and year before proceeding with installation.

COMPATIBLE WITH

Toyota Tacoma

2016-2023



Please check whether it fits your vehicle model before purchasing.

Image 1: Kojem Class 4 Trailer Hitch showing compatibility with 2016-2023 Toyota Tacoma.

2. Safety Information

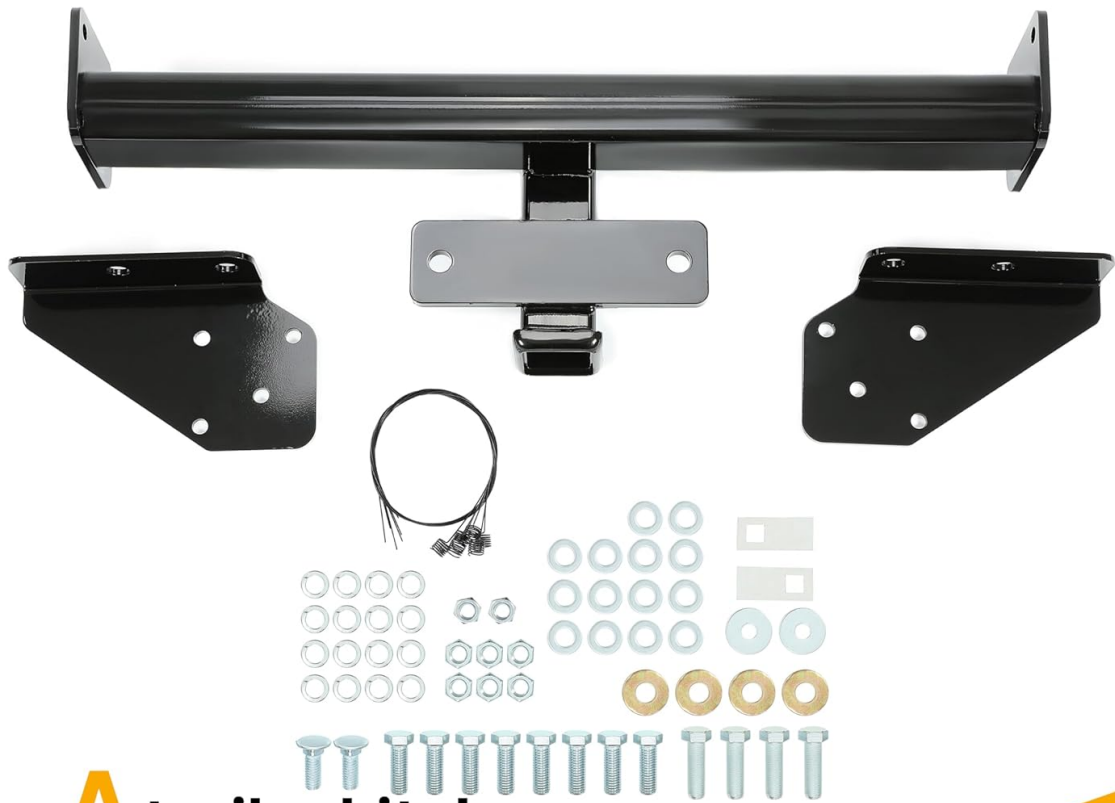
- Always wear appropriate safety gear, including gloves and eye protection, during installation.
- Ensure the vehicle is securely supported on a level surface before beginning installation.
- Do not exceed the specified weight capacities for the hitch or your vehicle.
- Regularly inspect the hitch and all fasteners for signs of wear, damage, or looseness.
- If you are unsure about any step of the installation process, consult a qualified mechanic.

3. Package Contents

Verify that all components listed below are present in your package before beginning installation:

- One (1) Trailer Hitch
- Necessary Installation Accessories (bolts, washers, nuts)
- Instruction Manual (this document)

PACKAGE & INCLUDED



- **A trailer hitch**
- **Necessary accessories**
- **Installation instruction**

Image 2: Contents of the Kojem Class 4 Trailer Hitch package, including the hitch, installation hardware, and instructions.

4. Setup and Installation

Installation of the Kojem Class 4 Trailer Hitch requires basic mechanical skills and tools. Refer to your vehicle's service manual for specific frame access and torque specifications if available.

1. **Prepare Vehicle:** Park the vehicle on a level surface and engage the parking brake. If necessary, raise the rear of the vehicle using a jack and secure it with jack stands.
2. **Locate Mounting Points:** Identify the frame mounting points on your Toyota Tacoma. These are typically pre-drilled holes in the vehicle's frame rails.
3. **Position Hitch:** Carefully lift the trailer hitch into position, aligning the mounting holes on the hitch with the frame mounting points. It may be helpful to have an assistant for this step.
4. **Install Hardware:** Insert the provided bolts, conical washers (if included), and nuts through the aligned holes. Ensure all washers are correctly oriented.
5. **Hand-Tighten Fasteners:** Hand-tighten all bolts to secure the hitch loosely to the frame.
6. **Final Tightening:** Using appropriate wrenches, progressively tighten all fasteners to the manufacturer's recommended torque specifications. If specific torque values are not provided, tighten securely, ensuring even pressure.

7. **Inspect:** After tightening, visually inspect all connections to ensure the hitch is securely mounted and there is no interference with other vehicle components.



Image 3: Front view of the Kojem Class 4 Trailer Hitch, showing mounting points.



Image 4: Top view of the Kojem Class 4 Trailer Hitch, illustrating its structure for installation.



Image 5: Close-up view of the 2-inch receiver on the Kojem Class 4 Trailer Hitch.

5. Operating Instructions

Once installed, the Kojem Class 4 Trailer Hitch provides a secure attachment point for various towing accessories.

- **Connecting a Trailer:** Insert your trailer ball mount or other towing accessory into the 2-inch receiver tube. Secure it with a hitch pin and clip (not included).
- **Weight Capacities:** Adhere strictly to the following weight ratings:
 - **Weight Carrying (WC):** 7000 lbs. Gross Trailer Weight (GTW), 1050 lbs. Tongue Weight (TW)
 - **Weight Distributing (WD):** 8000 lbs. Gross Trailer Weight (GTW), 1200 lbs. Tongue Weight (TW)
- Always ensure the trailer is properly loaded and balanced to prevent excessive tongue weight or sway.
- Connect all safety chains and trailer lighting according to local regulations.



Material - Steel



Protects against rust and wear



Provides More Towing Options

SPECIFICATION



Weight Carrying (WC) :

Gross trailer weight: 7000LBS

Tongue weight: 1050 LBS

Weight Distributing (WD):

Gross trailer weight: 8000LBS

Tongue weight: 1200LBS

Image 6: Illustration of a vehicle utilizing a trailer hitch for towing, demonstrating its function.

6. Maintenance

Regular maintenance will ensure the longevity and safe operation of your trailer hitch.

- **Periodic Inspection:** Before each towing trip, inspect the hitch for any signs of rust, cracks, bends, or other damage. Check all bolts and nuts for tightness.
- **Cleaning:** Clean the hitch periodically with mild soap and water to remove dirt, salt, and road grime.
- **Corrosion Protection:** The hitch features a powder-coated finish for enhanced durability and resistance to impact and wear. If the coating is damaged, touch up with rust-inhibiting paint to prevent corrosion.
- **Lubrication:** Keep the receiver tube clean and free of debris. A light coat of grease inside the receiver can help prevent rust and ease insertion of accessories.

FEATURES



2" hitch receiver

Black powder coated



High-Durable Steel



Allowing for a wide variety of towing options transporting trailers for camping, moving, or hauling heavy equipment

Image 7: Features of the Kojem Class 4 Trailer Hitch, highlighting the 2-inch receiver, black powder coating, and durable steel construction.

PRODUCT & DETAILS

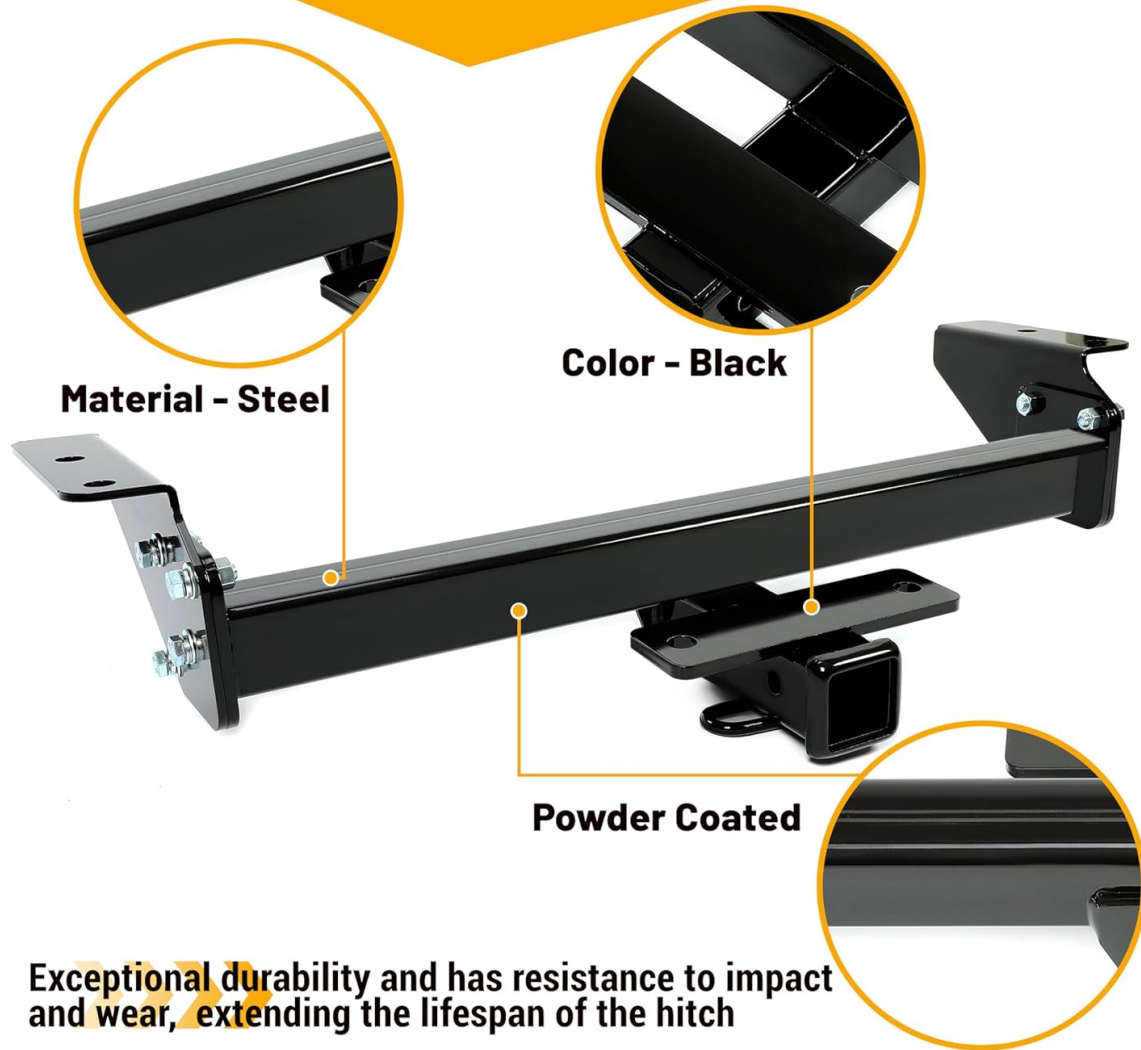


Image 8: Detailed view of the Kojem Class 4 Trailer Hitch, showing its steel material, black color, and powder-coated finish for durability.

7. Troubleshooting

- **Loose Connection:** If the hitch feels loose after installation, re-check all fasteners and ensure they are tightened to the appropriate torque.
- **Unusual Noises:** Squeaking or rattling noises during towing may indicate loose connections or worn components. Inspect the hitch, ball mount, and trailer coupler.
- **Difficulty Inserting Accessories:** Ensure the receiver tube is clean and free of debris. A light lubricant can assist. Check for any deformation of the receiver opening.

8. Specifications

Brand	Kojem
Model Number	LYAM-769S
Vehicle Service Type	Toyota Tacoma (2016-2023)
Material	Alloy Steel
Finish Type	Powder Coated (Black)
Receiver Size	2-inch x 2-inch
Weight Carrying (WC) GTW	7000 lbs.
Weight Carrying (WC) TW	1050 lbs.
Weight Distributing (WD) GTW	8000 lbs.
Weight Distributing (WD) TW	1200 lbs.

9. Warranty Information

Specific warranty details for the Kojem Class 4 Trailer Hitch are not provided in this document. For information regarding product warranty, please refer to the documentation included with your purchase or contact the manufacturer directly.

10. Support

If you encounter any issues or have questions not covered in this manual, please contact Kojem customer support or the retailer from whom you purchased the product for assistance.