

Merax B0DM93ZLHP

Merax Corner Storage Cabinet Instruction Manual

Model: B0DM93ZLHP

1. INTRODUCTION

This manual provides essential information for the safe assembly, operation, and maintenance of your Merax Corner Storage Cabinet. Please read these instructions carefully before assembly and retain them for future reference. This cabinet is designed to provide efficient storage in various rooms, including bathrooms, kitchens, and living rooms.



Image 1.1: The Merax Corner Storage Cabinet, closed, positioned in a bathroom corner. This image illustrates the cabinet's compact design and how it fits into a room, providing a clean and modern aesthetic.

2. SAFETY INFORMATION

- Always assemble the cabinet on a soft, clean surface to prevent scratches.
- Ensure all hardware is securely tightened before use. Periodically check and re-tighten as necessary.
- Do not overload shelves. Distribute weight evenly.
- Keep small parts and packaging materials away from children during assembly.
- If wall-mounting hardware is provided (not included with this model), use it to prevent tipping, especially in households with children or pets.

3. PACKAGE CONTENTS

Verify that all components are present before beginning assembly. If any parts are missing or damaged, contact customer support.

Part	Description	Quantity
------	-------------	----------

Part	Description	Quantity
A	Top Panel	1
B	Bottom Panel	1
C	Side Panels	2
D	Back Panels	2
E	Adjustable Shelves	2
F	Door	1
G	Hardware Pack (screws, dowels, hinges, handle, shelf pins)	1

4. ASSEMBLY INSTRUCTIONS

Partial assembly is required. All necessary parts, tools, and instructions are included in the package. Follow these steps carefully.

- 1. Prepare the Area:** Clear a spacious, clean, and soft area for assembly to prevent damage to the cabinet parts.
- 2. Attach Cam Locks and Dowels:** Insert cam locks and wooden dowels into the pre-drilled holes on the side panels (C), top panel (A), and bottom panel (B) as indicated in the diagram.
- 3. Assemble the Frame:** Connect the side panels (C) to the bottom panel (B) and then to the top panel (A) using the cam locks and screws provided in the hardware pack (G). Ensure all connections are snug.
- 4. Install Back Panels:** Slide the back panels (D) into the grooves on the assembled frame and secure them with small nails or screws from the hardware pack (G).
- 5. Attach Door Hinges:** Secure the hinges to the door (F) and then attach the door to one of the side panels (C) of the cabinet frame. Adjust hinges for proper door alignment.
- 6. Install Door Handle:** Attach the handle to the door (F) using the screws provided.
- 7. Insert Adjustable Shelves:** Place the shelf pins into the desired height holes on the interior side panels. Rest the adjustable shelves (E) on these pins.

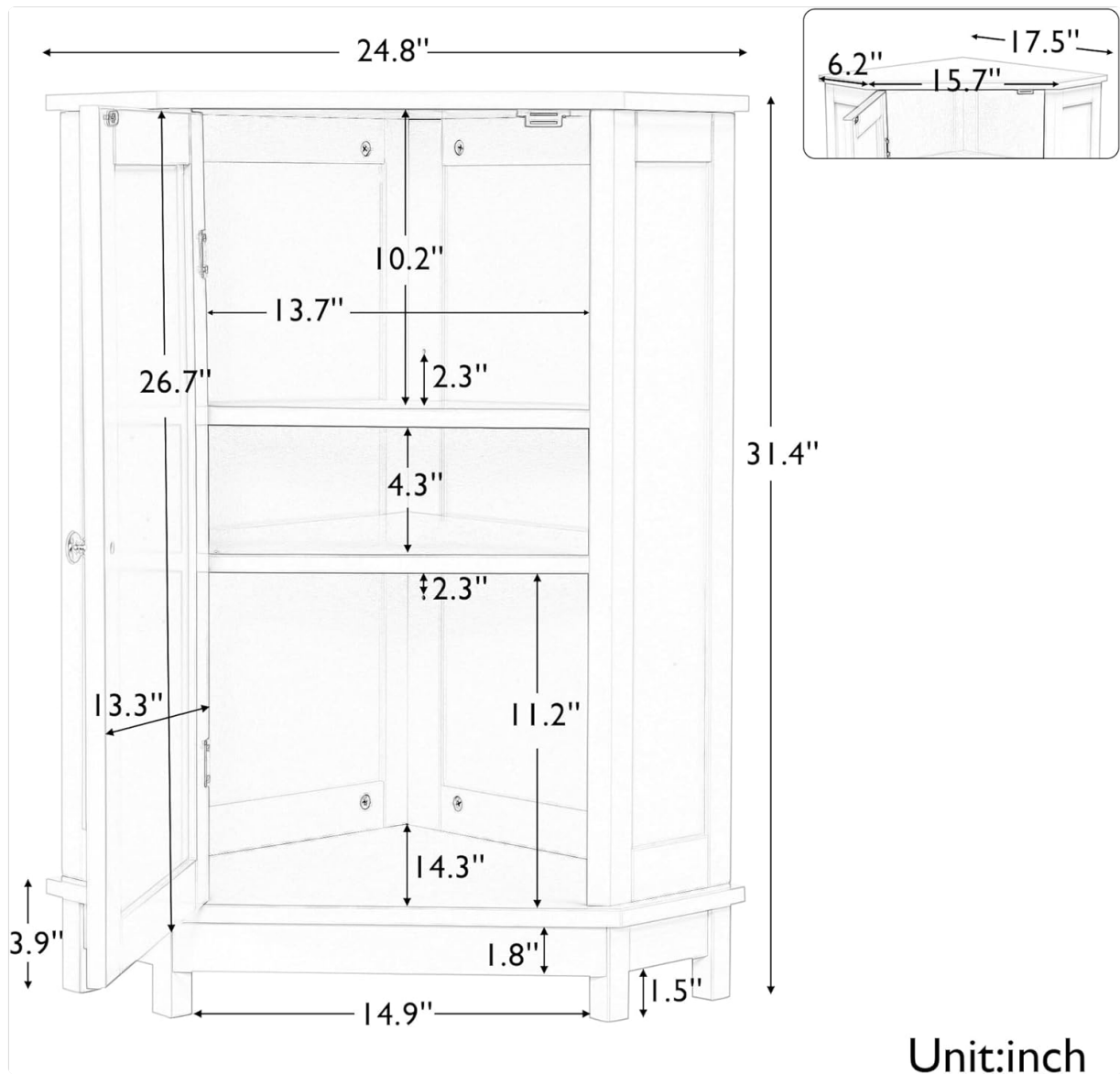


Image 4.1: Detailed diagram illustrating the dimensions of the Merax Corner Storage Cabinet (24.8" top width, 17.5" depth, 31.4" height) and its internal structure, including adjustable shelf positions. All measurements are in inches.

5. OPERATING INSTRUCTIONS

Your Merax Corner Storage Cabinet is designed for versatile storage. To use:

- **Opening and Closing the Door:** Use the handle to gently open and close the cabinet door. Avoid forcing the door.
- **Adjusting Shelves:** The cabinet features two adjustable shelves. To change their height, remove all items from the shelf, lift the shelf, remove the four shelf pins, reinsert the pins into the desired holes, and then place the shelf back onto the pins.
- **Storage:** Utilize the interior shelves to store various items such as toiletries, towels, books, or kitchen supplies. Ensure items are placed securely and do not obstruct the door's closing mechanism.

STYLISH CORNER CABINET

Put it in the Corner to Save Space



Ample Storage



Space-Saving



Plant Stand



Image 5.1: The Merax Corner Storage Cabinet with its door open, revealing the interior with items like towels, bottles, and a basket on the adjustable shelves. This demonstrates the cabinet's ample storage capacity and adjustable shelf feature.

6. MAINTENANCE

To ensure the longevity and appearance of your cabinet:

- **Cleaning:** Wipe surfaces with a soft, damp cloth. Avoid abrasive cleaners or harsh chemicals, as these can damage the finish.
- **Spills:** Promptly wipe up any spills to prevent water damage, especially since the panels are waterproof for easy maintenance.
- **Inspection:** Periodically check all hardware connections and tighten if necessary to maintain stability.
- **Placement:** Avoid placing the cabinet in direct sunlight or near heat sources to prevent material degradation.

7. TROUBLESHOOTING

If you encounter any issues with your cabinet, refer to the following common solutions:

- **Wobbly Cabinet:** Ensure all screws and cam locks are fully tightened. Check that the cabinet is placed on a level surface. Adjust feet if applicable (this model has fixed legs).
- **Door Not Closing Properly:** Check hinge alignment. Loosen hinge screws slightly, adjust the door, and re-tighten. Ensure no items inside are obstructing the door.
- **Scratches/Minor Damage:** For minor scratches, a furniture repair marker or touch-up paint matching the cabinet's black finish may be used.

8. SPECIFICATIONS

Feature	Detail
Brand	Merax
Model Number	B0DM93ZLHP
Color	Black
Material	Wood (MDF)
Product Dimensions (D x W x H)	17.5" x 17.5" x 31.4"
Item Weight	28.44 Pounds
Mounting Type	Free Standing
Number of Doors	1
Adjustable Shelves	Yes (2 shelves)
Assembly Required	Yes (Partial)
Recommended Uses	Towels, Toiletries, Spare items

9. WARRANTY AND SUPPORT

For any questions, missing parts, or concerns regarding your Merax Corner Storage Cabinet, please contact Merax customer support. Refer to your purchase documentation for specific warranty details and contact information.