

Manuals.plus /

- › Geberit /
- › Geberit Type 383 Filling Valve Instruction Manual

## Geberit 240.700.00.5

# Geberit Type 383 Filling Valve Instruction Manual

Model: 240.700.00.5

## 1. INTRODUCTION AND PRODUCT OVERVIEW

The Geberit Type 383 Filling Valve (Model 240.700.00.5) is a high-quality component designed for use in AP cisterns. This universal filling valve is suitable for both ceramic cisterns and drinking water systems, offering reliable and efficient water control for your toilet. It serves as the successor to the Geberit filling valve Type 380 with side water connection (240.700.00.1).

Key features include a 3/8 inch water connection, compatibility with grey water (rainwater) systems when a filter insert is used (pH value 6.0-9.5), and an adjustable filling height for precise water level control. Constructed with durable brass threaded nipples, this valve ensures longevity. Its design prioritizes quiet operation, meeting DIN 4109 standards with a noise level of only 7 dB(A) at 3 bar.

## 2. SAFETY INFORMATION

- Always turn off the main water supply to the toilet before beginning any installation or maintenance work.
- Wear appropriate personal protective equipment, such as gloves and eye protection, during installation.
- If you are unsure about any step of the installation process, consult a qualified plumber.
- Ensure all connections are secure and watertight to prevent leaks.
- When using with grey water (rainwater), ensure a suitable filter insert is in place and the water pH value is between 6.0 and 9.5.

## 3. PACKAGE CONTENTS

Please verify that all components are present before beginning installation:

- Geberit Type 383 Filling Valve (1 unit)

## 4. SETUP AND INSTALLATION

Follow these steps for proper installation of your Geberit Type 383 Filling Valve:

1. **Prepare the Cistern:** Turn off the water supply to the toilet. Flush the toilet to empty the cistern. Disconnect the water supply line from the existing filling valve and remove the old valve.
2. **Install the New Valve:** Insert the Geberit Type 383 Filling Valve into the designated opening in the cistern. Ensure the brass threaded nipple is correctly positioned. Secure the valve using the provided nut from underneath the cistern, tightening it firmly but without overtightening.
3. **Connect Water Supply:** Reconnect the 3/8 inch water supply line to the brass threaded nipple of the new filling valve. Use a wrench to ensure a tight, leak-free connection.
4. **Adjust Filling Height:** The filling valve allows for individual adjustment of the water level. Locate the adjustment mechanism on the valve (typically a screw or sliding clip). Adjust it to achieve the desired water level in the cistern, ensuring it is below the overflow pipe.
5. **Test for Leaks:** Slowly turn the main water supply back on. Allow the cistern to fill. Check all connections for any signs of leaks. Flush the toilet several times to ensure proper operation and refilling.



Figure 1: The Geberit Type 383 Filling Valve, showing its main components including the brass threaded nipple for water connection and the blue adjustment mechanism.

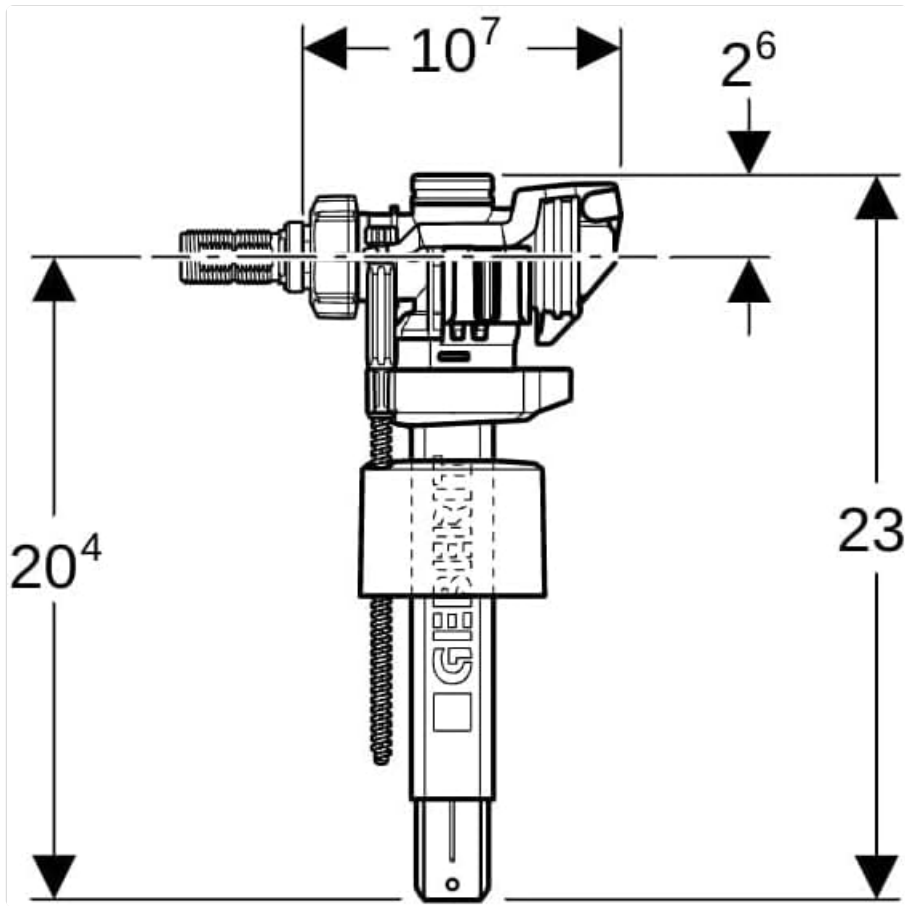


Figure 2: Side view of the Geberit Type 383 Filling Valve with key dimensions indicated. This diagram helps in understanding the physical fit within a cistern.

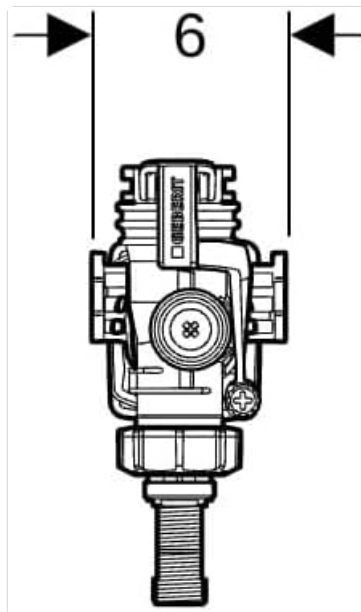


Figure 3: Top view of the Geberit Type 383 Filling Valve with key dimensions. This perspective is useful for understanding the valve's footprint.

## 5. OPERATION

Once installed, the Geberit Type 383 Filling Valve operates automatically to refill the cistern after each flush. The primary operational adjustment is the water filling height.

## Adjusting Water Filling Height:

To adjust the water level in the cistern, locate the adjustment screw or sliding clip on the side of the valve stem. Turn the screw or move the clip up or down to raise or lower the float mechanism. Raising the float will increase the water level, and lowering it will decrease the water level. Ensure the water level is always below the overflow pipe to prevent continuous running.

The valve is designed for low noise operation, ensuring a quiet refill process in accordance with DIN 4109 standards.

## 6. MAINTENANCE

Regular maintenance helps ensure the longevity and optimal performance of your filling valve:

- **Periodic Inspection:** Periodically check the valve for any signs of wear, damage, or mineral buildup.
- **Cleaning:** If the valve's performance degrades (e.g., slow filling, incomplete shut-off), mineral deposits may be affecting its operation. Turn off the water supply, drain the cistern, and carefully remove the valve. Clean any visible mineral buildup from the valve components, especially the float and sealing surfaces, using a soft brush and mild descaling solution if necessary. Rinse thoroughly before reinstallation.
- **Filter Maintenance (if applicable):** If using the valve with grey water and a filter insert, regularly clean or replace the filter as per the filter manufacturer's instructions to prevent clogging and ensure proper operation.

## 7. TROUBLESHOOTING

Here are some common issues and their potential solutions:

Problem	Possible Cause	Solution
Water continuously runs into the toilet bowl.	Water level set too high. Float mechanism obstructed or damaged. Valve seal dirty or worn.	Adjust the filling height to a lower level. Check for obstructions around the float; ensure it moves freely. Clean or replace the valve seal.
Cistern fills too slowly or not at all.	Water supply partially or fully off. Inlet filter clogged. Low water pressure.	Ensure the water supply valve is fully open. Clean any debris from the inlet filter. Check household water pressure.
Valve is noisy during filling.	High water pressure. Loose connections.	Consider installing a pressure reducing valve if household pressure is consistently high. Check and tighten all water connections.

## 8. SPECIFICATIONS

Attribute	Detail
Brand	Geberit
Model Number	240.700.00.5
Part Number	240.700.00.5
Item Weight	9.1 ounces
Product Dimensions	9.06 x 4.21 x 2.36 inches
Color	White/Blue
Water Connection	3/8 inch
Noise Level	7 dB(A) at 3 bar (according to DIN 4109)
Compatibility	AP cisterns, ceramic cisterns, drinking water systems, grey water (with filter, pH 6.0-9.5)
Included Components	Filling valve

## 9. WARRANTY AND SUPPORT

For specific warranty information regarding your Geberit Type 383 Filling Valve, please refer to the documentation provided with your purchase or visit the official Geberit website. Geberit products are known for their quality and durability.

If you encounter any issues that cannot be resolved using the troubleshooting guide, or for technical support, please contact Geberit customer service. Contact details can typically be found on the manufacturer's website or product packaging.