



[Manuals.plus](#) /

> [FFanhia](#) /

> FFanhia 4-Burner Built-in Gas Cooktop Model QG4Z01TCX Instruction Manual

## FFanhia QG4Z01TCX

# FFanhia 4-Burner Built-in Gas Cooktop Instruction Manual

MODEL: QG4Z01TCX

Brand: FFanhia

## 1. Important Safety Information

---

Please read this entire instruction manual carefully before installing or operating your FFanhia gas cooktop. Failure to follow these instructions could result in fire, explosion, electric shock, or property damage, personal injury, or death.

- This appliance is designed for use with Natural Gas. Ensure your gas supply matches the appliance's requirements.
- Installation and service must be performed by a qualified installer, service agency, or gas supplier.
- Do not store or use gasoline or other flammable vapors and liquids in the vicinity of this or any other appliance.
- In case of a gas leak, do not try to light any appliance, do not touch any electrical switch, do not use any phone in your building. Immediately call your gas supplier from a neighbor's phone.
- The cooktop is equipped with a Thermocouple Flameout Protection Device. This system automatically shuts off the gas supply if the flame extinguishes, preventing gas leakage and enhancing safety.
- The electric ignition and flame failure system ensure a safe kitchen environment by automatically turning off the gas to prevent leakage.
- Always ensure adequate ventilation when operating gas appliances.

## 2. Product Overview

---

The FFanhia 4-Burner Built-in Gas Cooktop is designed for efficient and safe cooking in both domestic and commercial settings. It features a durable stainless steel surface and four high-powered sealed burners, allowing for simultaneous preparation of multiple dishes. The cooktop incorporates advanced safety features such as automatic flame failure protection.



Figure 2.1: FFanhia 4-Burner Gas Cooktop in operation with a lit burner.

### Key Features:

- **Thermocouple Flameout Protection:** Automatically shuts down the gas supply if the flame goes out, preventing gas leaks.
- **High Efficiency:** Four burners enable cooking of multiple dishes simultaneously.
- **Pulsed Ignition:** Provides continuous and reliable ignition with minimal effort.
- **Durable Construction:** Stainless steel surface and metal fire covers designed for longevity and resistance to high temperatures and corrosion.
- **Simple Operation:** Easy-to-use push-button rotary switches for precise flame control.



Figure 2.2: The cooktop integrated into a kitchen setting with a wok in use.



Figure 2.3: The cooktop in a kitchen environment with a pot simmering.

### 3. Package Contents

---

Upon unpacking, please verify that all components listed below are present and undamaged. If any items are missing or damaged, contact customer support immediately.

- 1 x Gas Stove (Cooktop Unit)
- 4 x Nozzles
- 4 x Pot Holders (Grates)
- 4 x Fire Covers (Burner Caps)
- 1 x English Manual

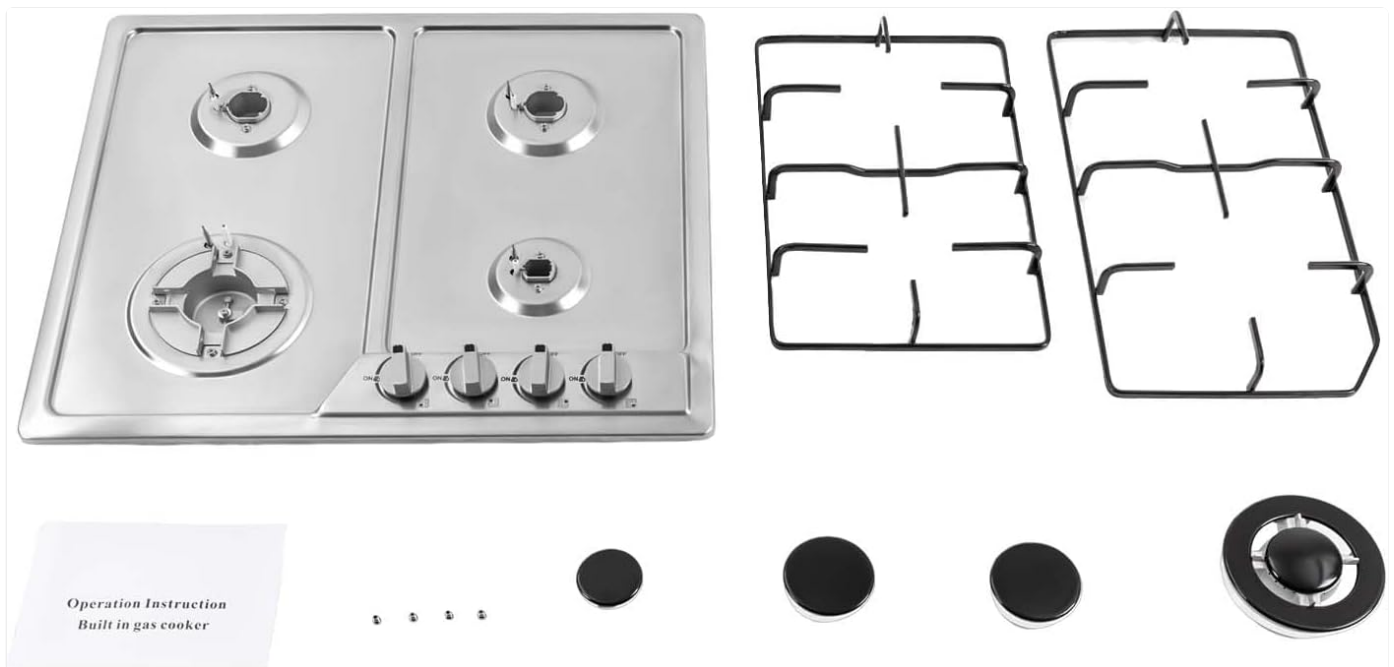


Figure 3.1: Contents included in the package.

## 4. Installation

---

This appliance is designed for built-in installation. Installation must comply with local codes and ordinances, or in the absence of local codes, with the National Fuel Gas Code, ANSI Z223.1/NFPA 54. Ensure installation is performed by a qualified professional.

### 4.1 Pre-Installation Checks:

- Verify that the gas type (Natural Gas) matches the appliance.
- Ensure the installation area has adequate ventilation.
- Confirm that the countertop cutout dimensions are correct.

### 4.2 Dimensions and Cut-out Size:

The cooktop unit has product dimensions of 58 cm (22.83 inches) in width and 50 cm (19.68 inches) in depth. The required cut-out size for built-in installation is 55 cm (21.6 inches) in width and 47 cm (18.5 inches) in depth.

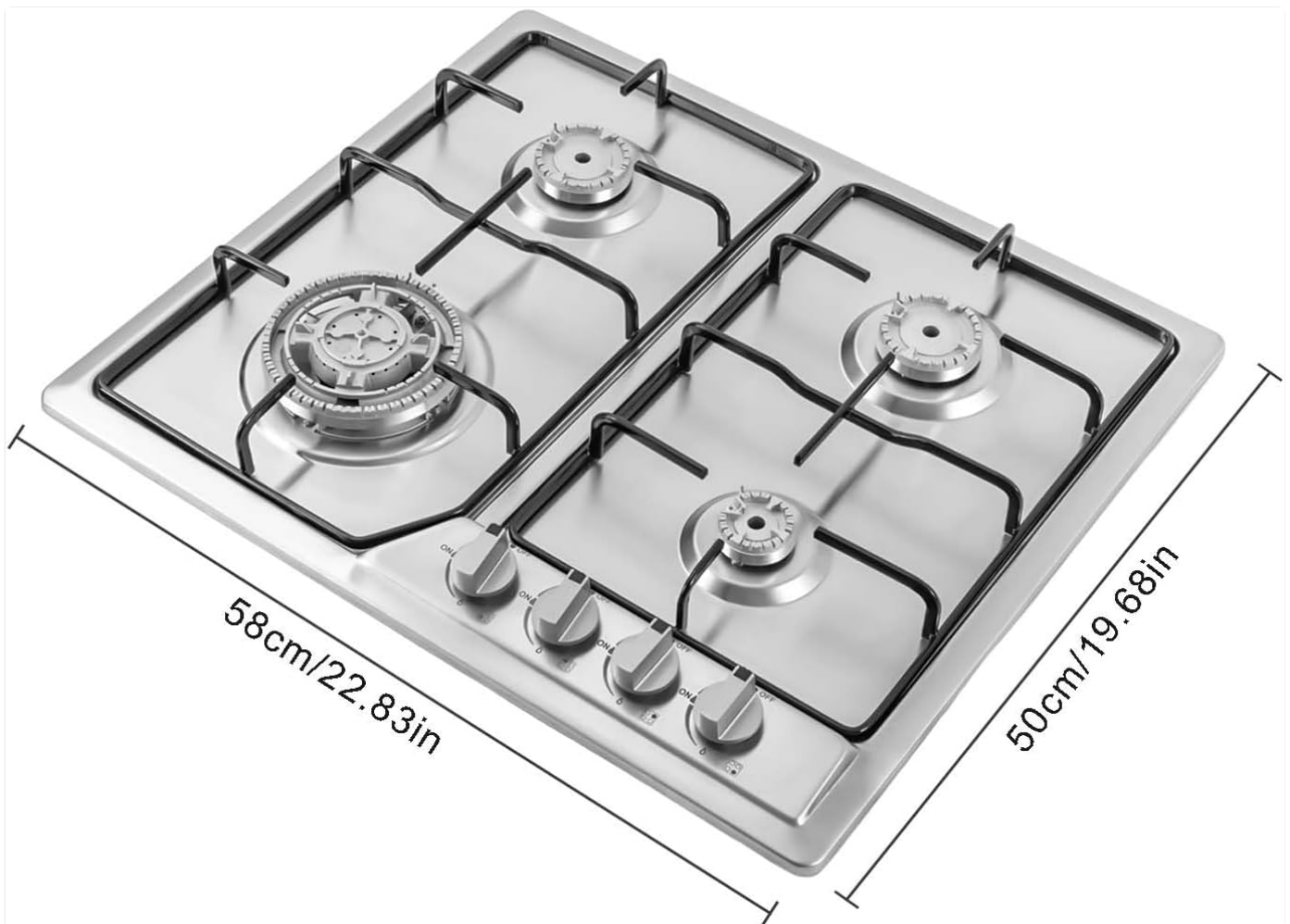


Figure 4.1: Product dimensions for installation planning.

#### 4.3 Gas Connection:

Connect the cooktop to the natural gas supply line using appropriate fittings and flexible connectors, ensuring all connections are leak-free. Refer to local codes for specific requirements.

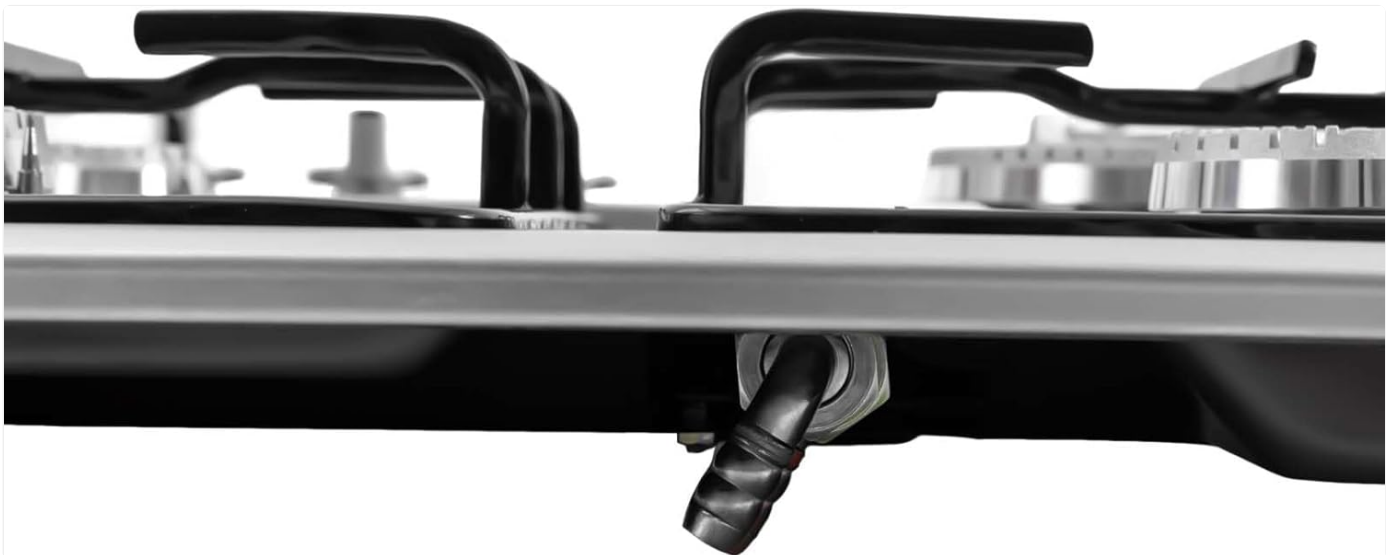


Figure 4.2: Gas inlet connection point on the cooktop.

#### 4.4 Cooktop Placement:

Carefully lower the cooktop into the prepared countertop cutout. Ensure it sits flush and is securely supported. The underside of the cooktop is designed for stable placement within the cutout.



Figure 4.3: Underside of the cooktop, illustrating its built-in design.

## 5. Operating Instructions

---

This section details how to safely operate your FFanhia gas cooktop.

### 5.1 Before First Use:

- Ensure all packaging materials are removed from the cooktop and burners.
- Install a D-size battery for the electronic ignition system. The battery compartment is typically located near the control knobs on the underside or side of the cooktop.



Figure 5.1: Location for D-size battery installation for ignition.

## 5.2 Igniting a Burner:

1. Place a cooking vessel on the desired burner grate.
2. Push down the corresponding rotary switch and turn it counter-clockwise to the "ON" or "HIGH" position. You will hear a clicking sound as the pulsed ignition system attempts to light the gas.
3. Once the burner ignites, continue to hold the knob down for a few seconds to allow the thermocouple to heat up and engage the flame failure protection system.
4. Release the knob. If the flame goes out, repeat the process, holding the knob down slightly longer.
5. Adjust the flame size by rotating the knob between the "HIGH" and "LOW" settings.



Figure 5.2: Detail of a single burner assembly.

### 5.3 Turning Off a Burner:

To turn off a burner, rotate the corresponding rotary switch clockwise to the "OFF" position. Ensure the flame is completely extinguished.

## 6. Maintenance and Cleaning

---

Regular cleaning and maintenance will ensure the longevity and optimal performance of your cooktop.

### 6.1 Daily Cleaning:

- Allow the cooktop to cool completely before cleaning.
- Wipe the stainless steel surface with a soft cloth and mild detergent or a specialized stainless steel cleaner. Avoid abrasive cleaners or scouring pads that can scratch the surface.
- Clean spills immediately to prevent staining.

### 6.2 Burner Components:

- The pot holders (grates) and fire covers (burner caps) can be removed for cleaning. Wash them with warm, soapy water and dry thoroughly before replacing.
- Ensure the burner ports are clear of food debris. Use a small brush or toothpick if necessary.
- The metal fire covers are designed for high temperature and corrosion resistance, making them durable for regular cleaning.

### 6.3 Ignition System:

- Periodically check and clean the igniter electrodes to ensure proper sparking.
- Replace the D-size battery for the electronic ignition system as needed, typically when ignition becomes inconsistent or fails to spark.

## 7. Troubleshooting

---

This section provides solutions to common issues you might encounter with your cooktop. For problems not listed here, contact qualified service personnel.

Problem	Possible Cause	Solution
Burner does not ignite.	No gas supply. Igniter electrode dirty or wet. Battery for ignition is dead or missing.	Check if the main gas valve is open. Clean and dry the igniter electrode. Replace the D-size battery.
Flame goes out after releasing knob.	Thermocouple not heated sufficiently. Thermocouple faulty.	Hold the knob down for a few more seconds after ignition. Contact qualified service personnel.
Irregular or yellow flame.	Burner ports clogged. Incorrect gas pressure.	Clean burner ports. Contact qualified service personnel to check gas pressure.
Gas odor detected.	Gas leak.	Immediately turn off gas supply. Do not operate any electrical switches. Ventilate the area. Contact gas supplier or emergency services.

## 8. Specifications

---

Feature	Detail
Brand	FFanhia
Model Number	QG4Z01TCX
Installation Type	Built-in
Gas Type	Natural Gas
Number of Burners	4
Surface Material	Stainless Steel
Product Dimensions (W x D x H)	58 cm x 50 cm x 15.24 cm (22.83 in x 19.68 in x 6 in)
Cut-out Size (W x D)	55 cm x 47 cm (21.6 in x 18.5 in)
Color	Silver
UPC	769092583074

## 9. Warranty and Customer Support

---

Specific warranty information for this product may vary. Please refer to the documentation included with your purchase or contact the retailer for details regarding warranty coverage.

For technical assistance, installation queries, or troubleshooting beyond the scope of this manual, please contact FFanhia customer support or your authorized service provider. Contact information can typically be found on the product packaging or the brand's official website.



© 2024 FFanhia. All rights reserved.  
This manual is subject to change without notice.