



[Manuals.plus](#) /

› [RuiSiSi](#) /

› RuiSiSi Queen Murphy Bed with Mattress Instruction Manual

RuiSiSi r0010

RuiSiSi Queen Murphy Bed with Mattress

MODEL: r0010 - USER INSTRUCTION MANUAL

Introduction

This manual provides detailed instructions for the assembly, operation, maintenance, and troubleshooting of your RuiSiSi Queen Murphy Bed with Mattress. Please read this manual thoroughly before assembly and use to ensure safe and correct operation. Keep this manual for future reference.

Safety Information

- Always follow assembly instructions carefully. Incorrect assembly can lead to instability and injury.
- Ensure all hardware is securely tightened before use. Periodically check and re-tighten fasteners.
- Do not exceed the maximum weight capacity of 300 lbs (136 kg).
- Keep children and pets away from the unit during assembly and when folding/unfolding the bed.
- Use caution when operating the folding mechanism to prevent pinching or injury.
- Do not attempt to modify the product. Any modifications may void the warranty and create safety hazards.
- Ensure the bed is placed on a flat, stable surface.

Package Contents

Your RuiSiSi Queen Murphy Bed will arrive in two separate packages, which may be delivered on different days. Please ensure you have received all packages and components before beginning assembly.

The package includes:

- Cabinet components (wood and MDF panels)
- Metal folding mechanism
- Tri-folding queen size sponge mattress (4.72" thickness)

- Storage drawer components
- USB charging station components (power outlets and USB ports)
- All necessary assembly hardware and tools

Assembly Instructions

Full assembly is required for this product. It is recommended that three people assist with the assembly process for safety and ease. All necessary tools are included.

1. **Unpack and Identify Components:** Carefully unpack all components from both packages. Lay them out on a clean, soft surface to prevent scratches. Refer to the included parts list to identify each piece.
2. **Assemble the Cabinet Frame:** Follow the step-by-step diagrams provided in the separate assembly guide to construct the main cabinet frame using the wood and MDF panels. Ensure all connections are secure.
3. **Install the Folding Mechanism:** Attach the metal folding mechanism to the cabinet frame as instructed. This mechanism allows the bed to transition between cabinet and bed configurations.
4. **Assemble the Bed Base:** Construct the bed base that will hold the mattress. This includes attaching the sliding tracks and pulleys.
5. **Integrate the Bed Base with Cabinet:** Carefully connect the assembled bed base to the folding mechanism within the cabinet. Test the folding action to ensure smooth movement.
6. **Install the Storage Drawer:** Assemble the storage drawer and install it into its designated slot at the bottom of the cabinet.
7. **Install USB Charging Station:** Integrate the power outlets and USB ports into the designated area of the cabinet. Ensure all wiring is correctly connected and secured.
8. **Place the Mattress:** Once the bed frame is fully assembled and tested, place the tri-folding sponge mattress onto the bed base.

For detailed visual guidance, please refer to the assembly diagrams included with your product packaging.

Operating Instructions

Folding and Unfolding the Bed

The RuiSiSi Murphy Bed is designed for easy transformation between a cabinet and a queen-size bed.

1. **To Unfold (Cabinet to Bed):**
 - a. Ensure the area in front of the cabinet is clear of obstructions.
 - b. Gently pull the bottom drawer section forward. This action will begin to extend the bed frame.
 - c. Continue pulling until the bed frame is fully extended and locked into place.
 - d. Unfold the tri-folding mattress onto the extended bed frame.
2. **To Fold (Bed to Cabinet):**
 - a. Remove all bedding and fold the mattress back into its tri-fold configuration.
 - b. Gently push the extended bed frame back towards the cabinet. The mechanism will guide it smoothly.
 - c. Ensure the bed frame is fully retracted and the bottom drawer section is flush with the cabinet.



Image: Step-by-step guide showing the transformation of the RuiSiSi Murphy Bed from a compact cabinet (1) to an extended bed (4). Steps include pulling out the base (2) and unfolding the mattress (3).

Using the Storage Drawer

The integrated storage drawer provides convenient space for keeping items organized.

- To open, gently pull the handle on the front of the drawer.
- To close, push the drawer firmly until it is flush with the cabinet.
- Do not overload the drawer to ensure smooth operation and prevent damage.



Image: The RuiSiSi Murphy Bed in its cabinet configuration, with the large bottom storage drawer pulled open, revealing ample space.

Using the USB Charging Station

The cabinet includes a built-in charging station with two power outlets and USB ports.

- Locate the charging station on the side of the cabinet.
- Plug your devices into the available power outlets or USB ports.
- Ensure the cabinet is connected to a power source for the charging station to function.

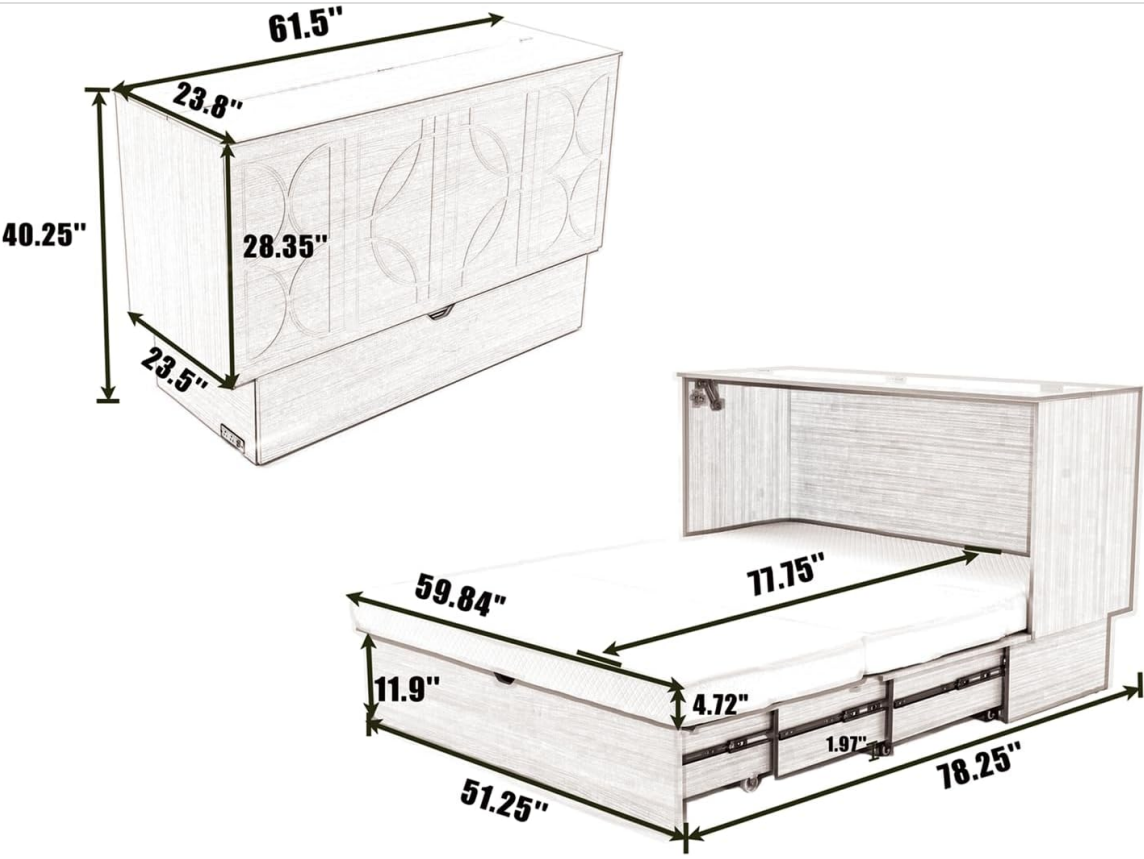
Maintenance

- **Cleaning:** Wipe the wood and MDF surfaces with a soft, damp cloth. Avoid harsh chemicals or abrasive cleaners that could damage the finish.
- **Mattress Care:** The included sponge mattress can be spot cleaned with a mild detergent and water. Allow to air dry completely. Do not machine wash or dry.
- **Hardware Check:** Periodically inspect all screws, bolts, and fasteners to ensure they remain tight. Re-tighten as necessary.
- **Mechanism Lubrication:** If the folding mechanism becomes stiff, a light application of silicone-based lubricant to the moving parts may improve operation.

Troubleshooting

Problem	Possible Cause	Solution
Bed does not fold/unfold smoothly	Obstruction, loose hardware, mechanism needs lubrication	Check for items blocking movement. Ensure all assembly hardware is tight. Apply silicone lubricant to the folding mechanism.
USB ports/outlets not working	Not plugged into wall, loose connection, power outage	Ensure the cabinet's power cord is securely plugged into a functional wall outlet. Check internal connections if accessible. Verify power is available.
Drawer is stiff or misaligned	Overloaded, debris in tracks, loose assembly	Reduce drawer contents. Clean drawer tracks. Check drawer assembly for loose screws.
Bed feels unstable	Uneven floor, loose hardware	Ensure the bed is on a level surface. Re-tighten all assembly hardware.

Specifications



The image contains two technical drawings of the bed. The top drawing shows the bed in its closed cabinet state with dimensions: length 61.5", width 23.8", height 40.25", and depth 23.5". The front panel features a decorative pattern. The bottom drawing shows the bed with the mattress extended. Dimensions for the bed with mattress are: length 59.84", width 77.75", height 11.9", and depth 18.25". A small detail shows a 1.97" gap between the bed and the cabinet base. The mattress height is 4.72".




 <p>Wood & High rebound sponge mattress</p>	 <p>product dimension 61.5"*23.8"*40.25" mattress dimension 59.84"*77.75"*4.72"</p>	 <p>300 LBS</p>
--	--	--

Image: Diagram illustrating the dimensions of the RuiSiSi Murphy Bed. The cabinet measures 61.5"L x 23.8"D x 40.25"H. When unfolded, the bed measures 78.25"L x 51.25"D x 40.25"H, with a mattress of 77.75"L x 59.84"D x 4.72"H.

- **Product Type:** Queen Murphy Bed with Mattress
- **Model Number:** r0010
- **Color:** White
- **Material:** Wood + Synthetic Wood (MDF)
- **Cabinet Dimensions (Closed):** 61.5" L x 23.8" D x 40.25" H
- **Bed Dimensions (Open):** 78.25" L x 51.25" D x 40.25" H
- **Mattress Dimensions:** 77.75" L x 59.84" D x 4.72" H (Tri-folding sponge mattress included)
- **Recommended Mattress Thickness:** 6 inches (Note: Included mattress is 4.72 inches)
- **Bed Weight Capacity:** 300 lbs (136 kg)
- **Overall Product Weight:** Approximately 193.05 lbs (87.56 kg)
- **Assembly Required:** Yes (Full Assembly)
- **Special Features:** Space-saving design, folding mechanism, storage drawer, built-in USB charging station (2 power outlets, 2 USB ports), no box spring needed.

Warranty Information

This RuiSiSi Queen Murphy Bed comes with a one-year limited warranty covering manufacturing defects from the date of purchase. This warranty does not cover damage resulting from improper assembly, misuse, abuse, accidents, or normal wear and tear. Please retain your proof of purchase for warranty claims.

Customer Support

If you have any questions regarding the assembly, operation, or maintenance of your RuiSiSi Queen Murphy Bed, or if you encounter any issues not covered in this manual, please contact RuiSiSi customer support. Refer to your purchase documentation for specific contact details.