



[Manuals.plus](#) /

› [YATINEY](#) /

› YATINEY Bakers Rack HB03UBR Instruction Manual

## YATINEY HB03UBR

# YATINEY Bakers Rack HB03UBR Instruction Manual

Model: HB03UBR

## 1. INTRODUCTION

---

Thank you for purchasing the YATINEY Bakers Rack HB03UBR. This versatile kitchen storage solution is designed to provide additional space for appliances, cookware, and other kitchen essentials. Featuring multiple shelves, a dedicated mini-fridge cart, a built-in power strip, and convenient hooks, this rack enhances kitchen organization and functionality. Please read this manual thoroughly before assembly and use to ensure proper installation and safe operation.



Image 1.1: The YATINEY Bakers Rack HB03UBR, fully assembled and styled with various kitchen items, showcasing its multi-functional design and storage capabilities.

## 2. IMPORTANT SAFETY INSTRUCTIONS

To reduce the risk of injury or damage, please observe the following safety precautions:

- Read all instructions carefully before assembly and use.
- Keep all packaging materials away from children.

- Assemble the rack on a soft, clean surface to prevent scratches.
- Ensure all screws and fasteners are securely tightened before use. Periodically check and re-tighten as necessary.
- Do not overload the shelves. Refer to the specifications section for weight limits.
- Use the included anti-tip kit to secure the rack to a wall, especially if children or pets are present.
- Do not climb on or stand on the rack.
- When using the integrated power strip, ensure appliances do not exceed the specified electrical ratings. Do not use in wet conditions.
- Keep hands and fingers clear of moving parts during assembly.

### 3. PACKAGE CONTENTS

---

Before beginning assembly, verify that all parts are present and undamaged. If any parts are missing or damaged, do not proceed with assembly and contact customer support.

- Metal Frame Components
- Wooden Shelf Panels (various sizes)
- Mini-Fridge Cart with Wheels
- Integrated Power Strip with Switch and Outlets
- Paper Towel Holder
- S-Hooks for hanging utensils
- Adjustable Leveling Feet
- Anti-Tip Wall Anchor Kit
- Assembly Hardware (screws, bolts, Allen wrench)

### 4. ASSEMBLY INSTRUCTIONS

---

Follow these steps carefully to assemble your YATINEY Bakers Rack. It is recommended to have two people for assembly.

1. **Unpack and Identify Parts:** Lay out all components on a clean, soft surface. Compare them with the package contents list to ensure everything is present.
2. **Assemble the Main Frame:** Connect the vertical metal frame components using the provided hardware. Ensure all connections are finger-tight initially.
3. **Attach Shelf Panels:** Secure the wooden shelf panels to the metal frame. Start with the bottom shelf and work your way up. Fully tighten all screws once all shelves are in place and the frame is stable.
4. **Install Power Strip:** Mount the integrated power strip to the designated location on the side of the rack using the provided screws. Ensure it is securely fastened.
5. **Attach Paper Holder and Hooks:** Install the paper towel holder and the hanging bar for S-hooks to the side of the rack as shown in the diagrams.
6. **Assemble Mini-Fridge Cart:** Attach the wheels to the mini-fridge cart. Ensure they are securely fastened and can rotate freely.
7. **Install Adjustable Feet:** Screw the adjustable leveling feet into the bottom of the main rack frame. Adjust them later to ensure stability on uneven surfaces.
8. **Secure with Anti-Tip Kit:** For safety, attach the anti-tip kit to the top of the rack and secure it to a

wall stud using appropriate wall anchors (not always included, depending on wall type).

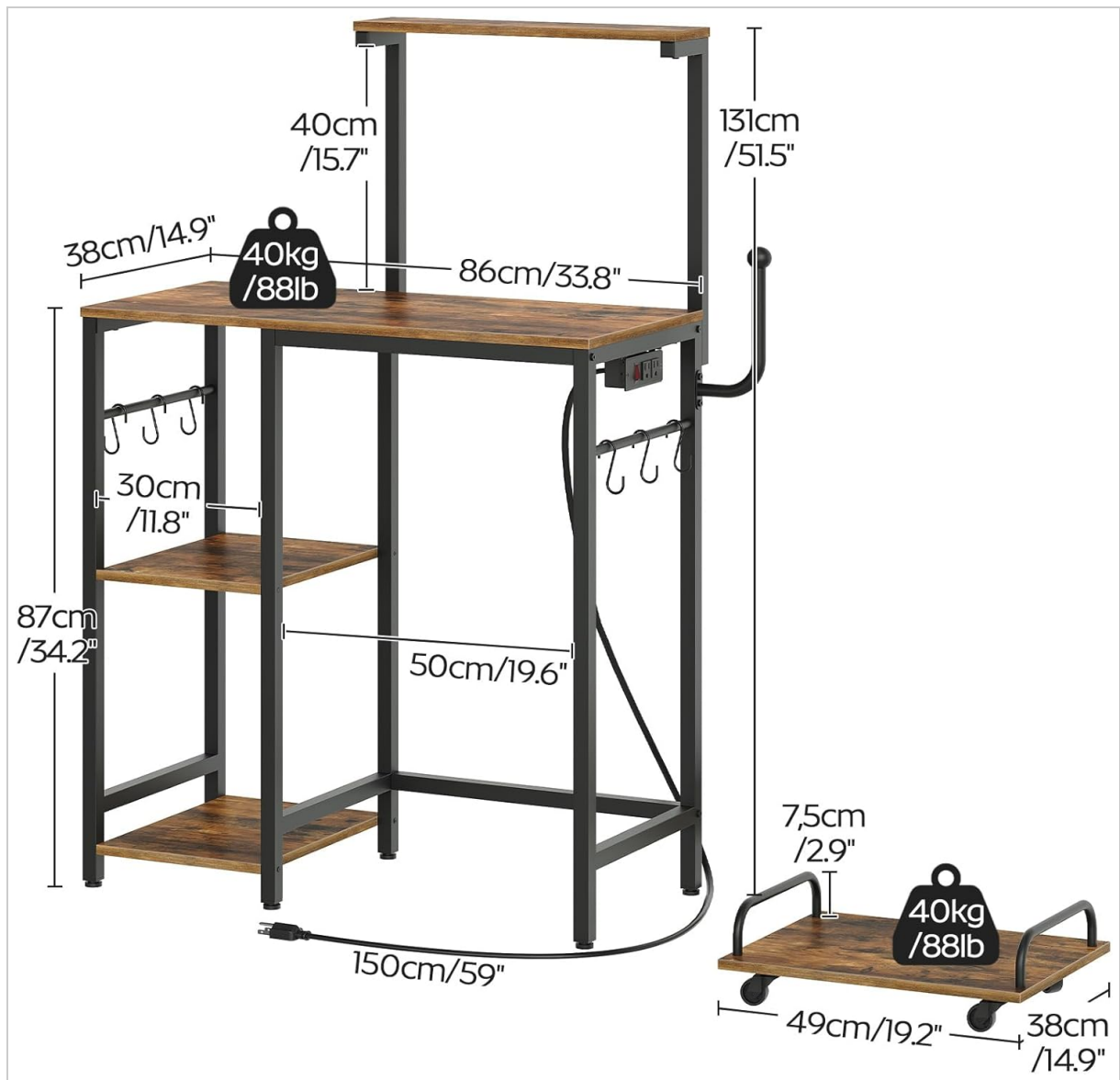


Image 4.1: Detailed dimensions of the YATINEY Bakers Rack and its accompanying mini-fridge cart, useful for planning placement and understanding component sizes during assembly.

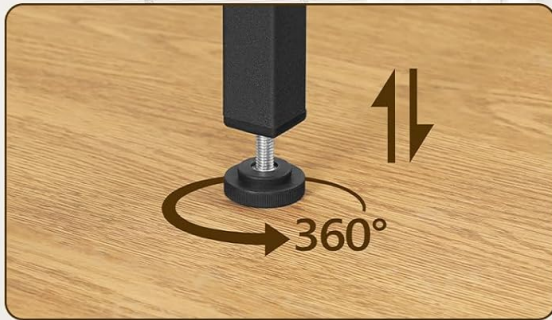


## Anti-Tip Kit

Enhances the stability of the baking rack for safer use.

## Thick Metal Frame

Strong and stable, providing long-lasting support.



## Adjustable Feet

Keep the rack level on uneven ground.

## Premium Panels

Strong and easy-to-clean, supporting up to 88 lb.



Image 4.2: Key structural features of the rack, including the anti-tip kit for stability, the robust thick metal frame, adjustable feet for leveling, and the durable premium panels.

## 5. OPERATING INSTRUCTIONS

Your YATINEY Bakers Rack is designed for versatile use in your kitchen or dining area.

### 5.1. Storage and Organization

Utilize the multi-tier shelving for storing various kitchen items such as small appliances, cookbooks, dishes, and pantry staples. The open design allows for easy access and visibility.



Image 5.1: The rack configured for spacious storage, holding a coffee machine, toaster, and other kitchen essentials, demonstrating its capacity for diverse items.

## 5.2. Mini-Fridge Cart Usage

The separate mini-fridge cart can be positioned beneath the main rack or moved to any desired location. It provides a stable base for a compact refrigerator or other small appliances, offering flexibility in your kitchen layout.

# Mini Fridge Cart

Easily move your mini fridge to any desired location.



Image 5.2: The mini-fridge cart, designed for easy movement, shown with a mini-fridge placed on it, illustrating its portability and integration with the main rack.

## 5.3. Power Strip Operation

The integrated power strip provides convenient access to electrical outlets for your kitchen appliances. It features:

- **On/Off Switch:** Use the red switch to power on or off the outlets.
- **2 AC Outlets:** Rated for 125V/12A.
- **4.9-Foot Power Cord:** Provides ample reach to a wall outlet.

Always ensure the total power draw of connected appliances does not exceed the power strip's rating.

## Power Strip with Switch

Meets kitchen appliance power needs with a switch for safety and ease.

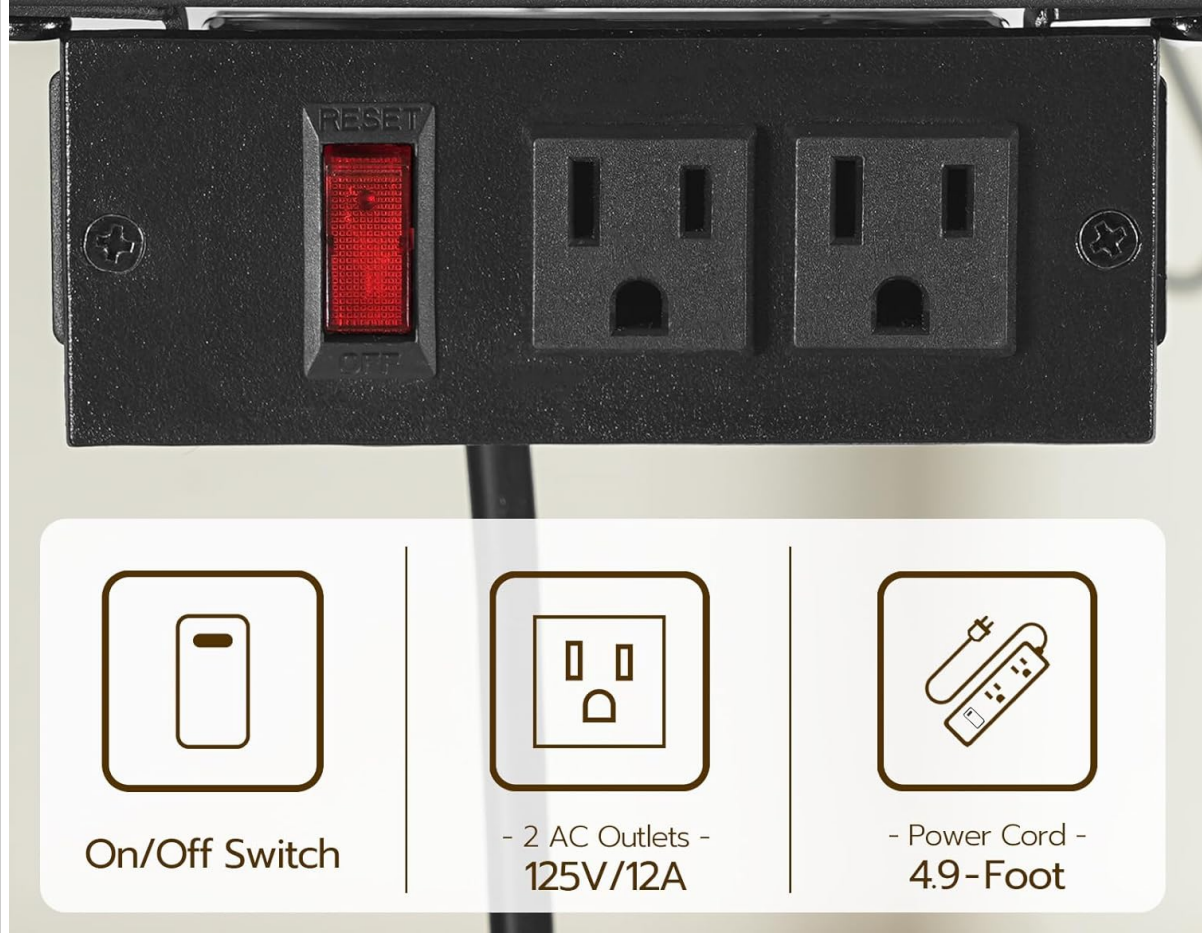


Image 5.3: A detailed view of the power strip, highlighting its on/off switch, two AC outlets, and the reset button for safety and convenience.

### 5.4. Paper Holder and Hooks

The side-mounted paper towel holder keeps paper towels within easy reach. The included S-hooks can be used to hang cooking utensils, oven mitts, or small towels, further optimizing your kitchen workspace.

# Paper Holder and Hooks

Convenient for holding paper and hanging cooking tools.



Image 5.4: The convenient paper towel holder and a set of S-hooks attached to the side of the rack, ideal for organizing cooking tools and kitchen linens.

## 6. MAINTENANCE

To keep your YATINEY Bakers Rack in optimal condition, follow these simple maintenance guidelines:

- **Cleaning:** Wipe down the metal frame and wooden panels with a soft, damp cloth. Avoid abrasive cleaners or harsh chemicals that could damage the finish.
- **Spills:** Clean up spills immediately to prevent staining or damage to the wooden surfaces.
- **Hardware Check:** Periodically check all screws and bolts to ensure they remain tight. Re-tighten as needed to maintain stability.
- **Power Strip:** Ensure the power strip remains dry and free from debris. Do not immerse in water.

## 7. TROUBLESHOOTING

If you encounter any issues with your Bakers Rack, refer to the following common problems and solutions:

- **Rack is Unstable/Wobbly:**

- Ensure all assembly hardware is fully tightened.
  - Adjust the leveling feet on the bottom of the frame to compensate for uneven floors.
  - Verify the anti-tip kit is properly installed and secured to the wall.
- **Power Strip Not Working:**
    - Check if the On/Off switch on the power strip is in the 'On' position.
    - Ensure the power cord is securely plugged into a functional wall outlet.
    - Press the 'RESET' button on the power strip if it has tripped due to overload.
    - Verify that the appliance plugged into the power strip is working correctly.
  - **Missing or Damaged Parts:**
    - Do not proceed with assembly. Contact YATINEY customer support immediately for assistance.

## 8. SPECIFICATIONS

Attribute	Detail
Brand	YATINEY
Model Number	HB03UBR
Product Dimensions (L x W x H)	37.85 x 85.85 x 130.81 cm (approx. 14.9 x 33.8 x 51.5 inches)
Item Weight	12.02 kg (26.5 lbs)
Assembly Required	Yes
Power Strip Rating	125V/12A (2 AC Outlets)
Power Cord Length	4.9 feet
Material	Thick Metal Frame, Premium Panels

## 9. CUSTOMER SUPPORT

If you have any questions, require assistance with assembly, or need to report missing/damaged parts, please contact YATINEY customer support through your purchase platform or the official YATINEY website. Please have your model number (HB03UBR) and purchase details ready.