

## WINTEMP WN27

# WINTEMP WN27 27kW 240V Electric Tankless Water Heater

Instruction Manual

## 1. INTRODUCTION

Thank you for choosing the WINTEMP WN27 Electric Tankless Water Heater. This manual provides essential information for the safe and efficient installation, operation, and maintenance of your new appliance. Please read all instructions carefully before installation and use.

The WN27 model is designed to provide an instant and endless supply of hot water for your entire home. Its compact, wall-mounted design saves significant space compared to traditional tank water heaters. Featuring advanced self-regulating technology, it ensures stable water temperature and high energy efficiency. Remote WiFi control and multiple safety protections enhance convenience and peace of mind.

## 2. SAFETY INFORMATION

Your safety is our top priority. The WINTEMP WN27 is equipped with multiple safety features and is ETL certified to ensure reliable operation. Always adhere to local electrical and plumbing codes.

- **Leakage Protection:** Automatically detects and prevents water leakage.
- **Overheat Protection:** Prevents the unit from exceeding safe operating temperatures.
- **Dry-Fire Protection:** Shuts off the unit if water flow is insufficient to prevent damage.
- **Child Safety Lock:** Prevents unintended temperature adjustments.



# 24h On-Demand Hot Water



High Temperature  
Protection



Dry Heating  
Protection



Electric Leakage  
Protection



Image: The WINTEMP WN27 unit displayed with icons highlighting its safety features: High Temperature Protection, Dry Heating Protection, and Electric Leakage Protection.

**WARNING: Professional installation is recommended. Consult a qualified electrician and plumber prior to installation to ensure compliance with all applicable codes and safety standards.**

## 3. PACKAGE CONTENTS

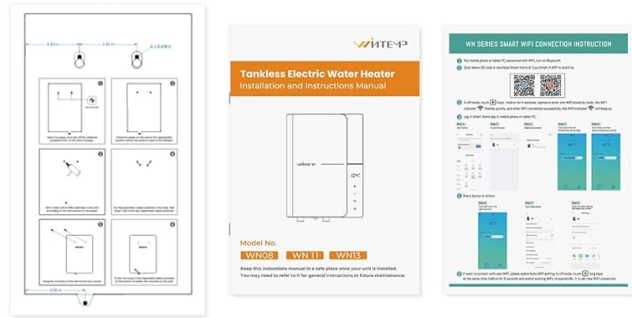
Verify that all items are present in the package:

- 1x WINTEMP 27kW Electric Tankless Water Heater
- 1x Instruction Manual
- 1x Positioning Indicator Paper (for mounting)
- 1x WiFi Connection Instructions
- 1x Filters
- 3x Wall Anchor and Screws
- 2x 3/4" NPT Waterproof Gasket

## PACKAGE CONTENTS



1X WINTEMP 27kW  
Electric Tankless Water Heater



- 1X Filters
- 1X Instruction Manual
- 1X Positioning Indicator Paper
- 1X WIFI Connection Instructions
- 3X Wall Anchor and Screws
- 2X 3/4" NPT Waterproof Gasket

Image: The WINTEMP WN27 unit alongside its complete package contents, including the water heater, instruction manual, WiFi connection guide, filters, wall anchors, screws, and NPT gaskets.

## 4. INSTALLATION REQUIREMENTS

### 4.1 Electrical Requirements (WN27 Model)

- **Power Rating:** 27KW (240V)
- **Maximum Amperage:** 113A
- **Required Breakers:** 3 x 40 Amp Double-Pole (DP) breakers
- **Required Wiring:** 3 x 8/2 AWG wiring with ground
- **Recommended Household Power Supply:** 250A

### 4.2 Water Connection

- **Water Connection Type:** 3/4" NPT
- **Minimum Water Flow to Activate:** 0.79 GPM

### 4.3 Unit Dimensions

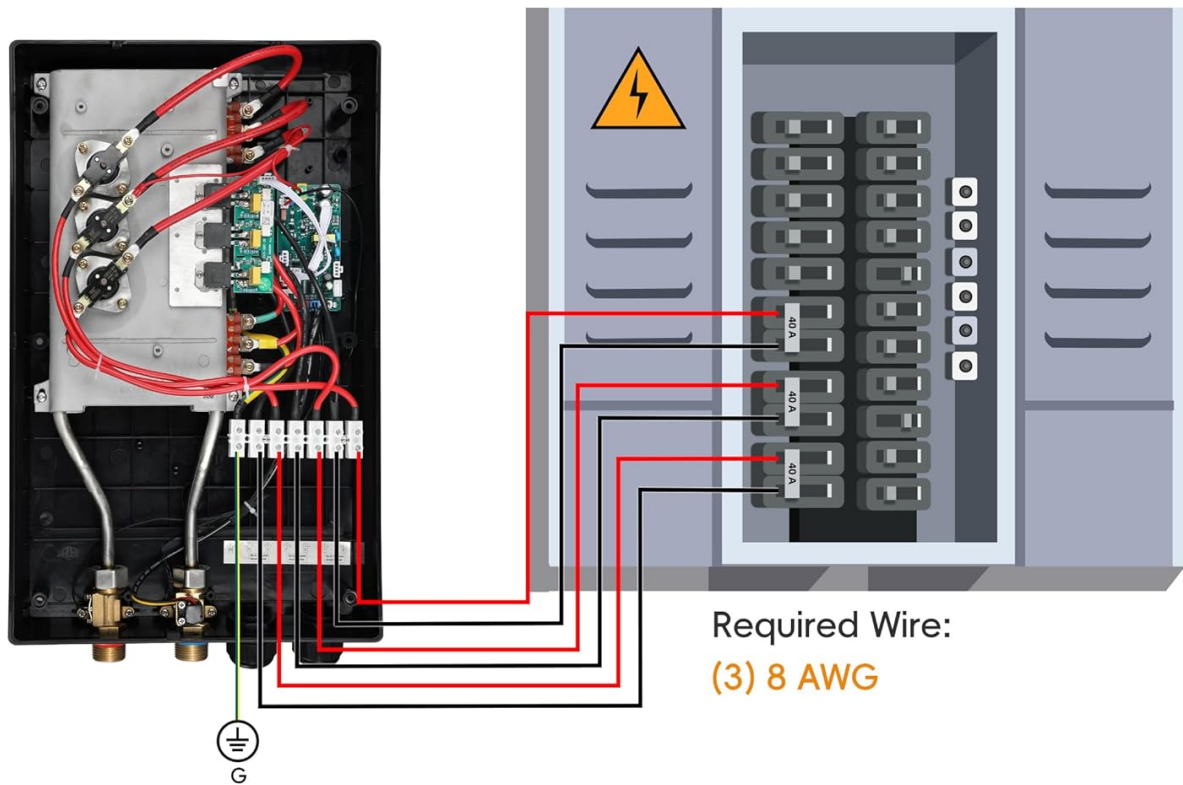
- **Width:** 11.1 inches (28.2 cm)

- **Height:** 19.1 inches (48.5 cm)
- **Depth:** 4 inches (10.2 cm)

# ELECTRICAL REQUIREMENTS

27kW | 240 Volts

200 Amp Household Service  
Recommended



Professional installation recommended. Consult an electrician prior to purchase.

- ▶ 113 Amp Max Draw
- ▶ 3 x 40 Amp Double Pole Breakers Required

In order to install a WN-27 you must have enough room in your breaker panel to dedicate three 40Amp double pole breakers solely to the unit.

Image: A detailed diagram illustrating the electrical requirements for the WINTEMP WN27 model, including wiring connections to a household breaker panel, specifying 3 x 40 Amp double-pole breakers and 3 x 8 AWG wiring.

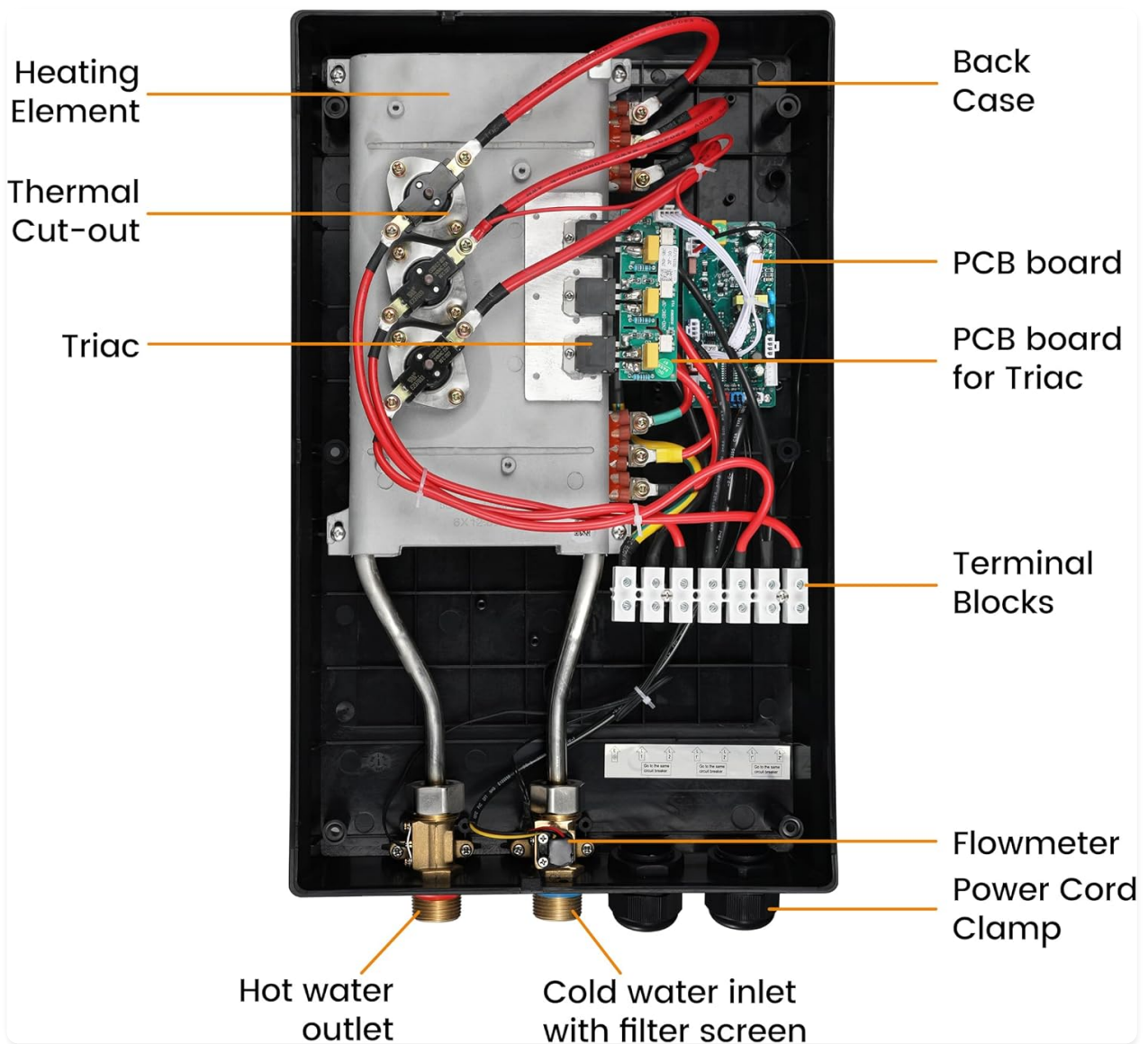


Image: An internal view of the WINTEMP WN27 tankless water heater, labeling key components such as heating elements, thermal cut-out, PCB board, terminal blocks, hot water outlet, cold water inlet with filter screen, and flowmeter.

## 5. SETUP

### 5.1 Mounting the Unit

1. Choose a suitable wall location, ensuring enough space for connections and maintenance. The compact design allows for installation in tight areas like garages, closets, or basements.
2. Use the provided positioning indicator paper to mark the drill holes on the wall.
3. Drill holes and insert the wall anchors.
4. Secure the unit to the wall using the provided screws.

### 5.2 Plumbing Connections

1. Connect the cold water inlet (blue cap) and hot water outlet (red cap) to your home's plumbing system using 3/4" NPT connections.
2. Ensure all connections are secure and leak-free.

### 5.3 Electrical Wiring

1. Turn off the main power supply at your household's electrical panel before proceeding.
2. Open the front cover of the water heater to access the terminal blocks.

3. Connect the 3 x 8/2 AWG wires (with ground) from your 3 x 40 Amp double-pole breakers to the corresponding terminal blocks inside the unit.
4. Ensure all wire connections are tight and secure.
5. Close the front cover of the water heater.
6. Once all connections are verified, turn on the main power supply and the circuit breakers.

Your browser does not support the video tag.

Video: An overview of the WINTEMP Electric Tankless Water Heater, including unboxing and a general look at the installation process.

Your browser does not support the video tag.

Video: Detailed unboxing and examination of the WINTEMP Tankless Water Heater, showcasing its compact size, control panel, and internal wiring for installation.

Your browser does not support the video tag.

Video: A quick demonstration of the WINTEMP Electric Tankless Water Heater installation, showing the unit mounted and connected to plumbing and electrical systems.

## 6. OPERATING INSTRUCTIONS

---

### 6.1 Power On/Off

Press the power button ( ) on the unit's LED display to turn the water heater on or off.

### 6.2 Temperature Adjustment

- Use the + and - buttons on the LED display to adjust the desired water temperature. The temperature range is typically 86°F to 140°F.
- The unit automatically adjusts energy consumption based on incoming water temperature and flow rate to maintain a stable output temperature.

### 6.3 Fahrenheit/Celsius Toggle

Press the °C/°F button on the display to switch between Fahrenheit and Celsius temperature readings.

### 6.4 WiFi Control

The WN27 model supports remote control via a WiFi-enabled app. Follow the provided WiFi Connection Instructions to pair your device and control temperature settings from your smartphone.



## Remote control

Can be connected to  
WIFI remote control.

Image: A smartphone screen showing the WINTEMP mobile application interface, demonstrating remote control capabilities for the tankless water heater, including temperature adjustment and usage monitoring.

## 7. MAINTENANCE

Regular maintenance ensures optimal performance and longevity of your WINTEMP tankless water heater. As a tankless unit, it is non-scaling, reducing the need for extensive maintenance compared to traditional tank heaters.

- **Filter Cleaning:** Periodically check and clean the inlet filter screen to prevent sediment buildup.
- **Visual Inspection:** Regularly inspect the unit and connections for any signs of leaks or damage.
- **Professional Check-up:** Consider an annual inspection by a qualified professional to ensure all components are functioning correctly.

## 8. TROUBLESHOOTING

If you experience issues with your WINTEMP tankless water heater, refer to the following common troubleshooting tips. For complex problems, contact professional technical support.

- **No Hot Water:** Ensure the unit is powered on and the circuit breakers are not tripped. Check water flow to ensure it meets the minimum activation rate (0.79 GPM).
- **Inconsistent Temperature:** Verify that the incoming water temperature and flow rate are stable. The self-regulating technology should maintain consistent output, but extreme fluctuations in input can affect performance.
- **Error Codes:** If an error code appears on the LED display, consult the detailed troubleshooting section in the full instruction manual for specific guidance.
- **No Power:** Check the main electrical panel and the unit's circuit breakers. Ensure all electrical connections are secure.

## 9. SPECIFICATIONS

Feature	Specification
Brand	WINTEMP
Model	WN27
Wattage	27000 watts (27kW)
Voltage	240 Volts
Maximum Amperage	113A
Required Circuit Breakers	3 x 40 Amp Double-Pole
Required Wire Gauge	3 x 8/2 AWG with ground
Recommended Household Power Supply	250A
Maximum Flow Rate	6.5 Gallons Per Minute (GPM)
Minimum Flow Rate to Activate	0.79 GPM
Maximum Temperature	140 Degrees Fahrenheit
Product Dimensions (W x H x D)	11.1" x 19.1" x 4"
Water Connection	3/4" NPT
Mounting Type	Wall
Special Features	LED Display, Overheat Protection, WiFi Control
Certifications	ETL Certified

## 10. WARRANTY AND SUPPORT

WINTEMP provides a **2-year return and exchange warranty** for this product. Additionally, long-term professional technical support is available to ensure your worry-free use. For warranty claims or technical assistance, please refer to the contact information provided in your purchase documentation or visit the official WINTEMP website.

