

Manuals.plus /

- › SEUNKWANG /
- › SEUNKWANG EWEADN X99 Wireless Mechanical Keyboard User Manual

SEUNKWANG X99

SEUNKWANG EWEADN X99 Wireless Mechanical Keyboard User Manual

Model: X99 | Brand: SEUNKWANG

1. INTRODUCTION

This manual provides comprehensive instructions for the setup, operation, and maintenance of your SEUNKWANG EWEADN X99 Wireless Mechanical Keyboard. Please read this guide thoroughly to ensure optimal performance and longevity of your device.



Figure 1: EWEADN X99 Wireless Mechanical Keyboard. This image displays the full keyboard with its gradient keycaps and vibrant RGB lighting.

2. PACKAGE CONTENTS

Verify that all items are present in your package:

- EWEADN X99 Wireless Mechanical Keyboard

- USB-C Cable
- Wireless Receiver (2.4GHz dongle)
- Keycaps-Switch Puller Tool
- Spare Switches
- User Manual (this document)



Figure 2: Included accessories with the EWEADN X99 keyboard, showing the USB-C cable, switch puller, spare switches, and manual.

3. SETUP

3.1. Connectivity Modes

The EWEADN X99 keyboard supports three connection modes:

1. **2.4GHz Wireless Mode:** For a stable, low-latency wireless connection.
2. **Bluetooth 5.0 Mode:** For connecting to multiple devices (up to three) simultaneously.
3. **USB Type-C Wired Mode:** For direct connection and charging.



Figure 3: Visual representation of the three available connection methods for the keyboard.

3.2. Switching Modes and Systems

Use the centralized knob and adjacent switch located on the top right of the keyboard to select your desired mode and operating

system.

- Rotate the knob to switch between 2.4GHz, Bluetooth, and Wired modes.
- Use the 'Mac/Win' switch to select the appropriate operating system layout.

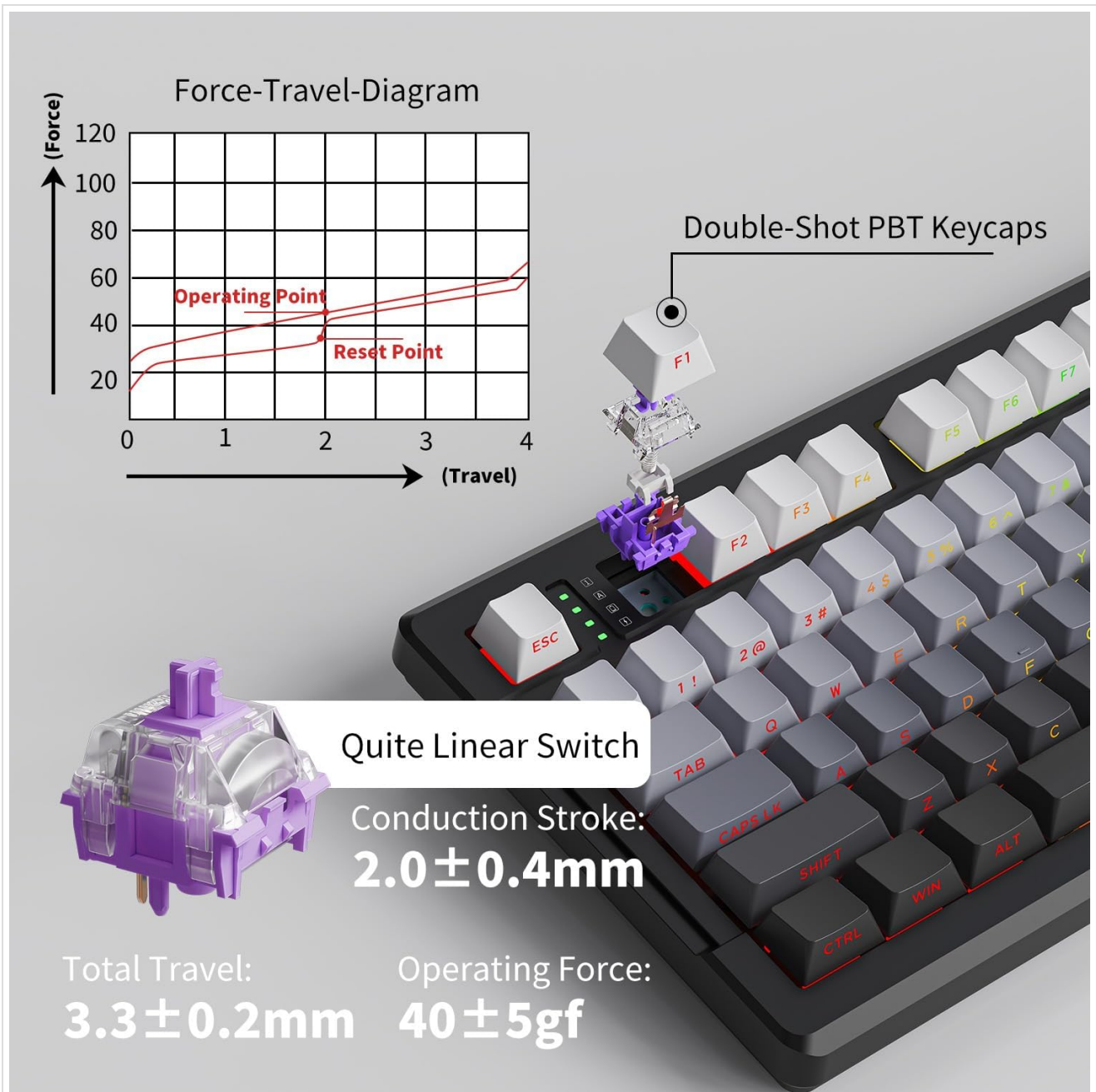
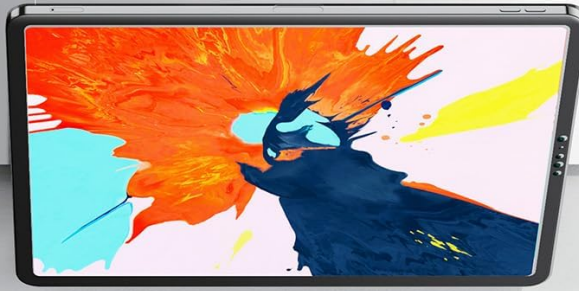


Figure 4: Detail of the multi-function knob and system switch for seamless control.

3.3. Wireless Receiver Location

The 2.4GHz wireless receiver is conveniently stored underneath the keyboard, within one of the adjustable feet. Gently lift the foot to access and retrieve the dongle.



99 Keys Compact Layout Keyboard



10%



Figure 5: The wireless receiver is securely stored in a dedicated slot under the keyboard's adjustable foot.

4. OPERATING INSTRUCTIONS

4.1. Key Layout and Functions

The X99 features a 99-key compact layout, offering full functionality while saving desk space. The integrated knob allows for volume adjustments and quick mode switching.



Figure 6: The 99-key compact layout of the EWEADN X99 keyboard, designed for efficiency and space-saving.

4.2. RGB Lighting Effects

The keyboard features 16.8 million RGB lighting effects. Utilize the function key combinations or the dedicated driver software to customize lighting patterns, colors, and brightness. Music rhythm modes are also available.



Figure 7: The keyboard displaying dynamic RGB lighting, illustrating the range of available visual effects.

Your browser does not support the video tag.

Video 1: Demonstration of the X99 Gradient Side Printed Gray Music Rhythm Showcase. This video illustrates the keyboard's RGB lighting reacting to music.

Your browser does not support the video tag.

Video 2: X99 Music Rhythm Showcase. This video highlights the keyboard's various RGB lighting patterns and how they can synchronize with audio.

4.3. Macro Programming

Customize key functions and create macros using the dedicated driver software. This allows for personalized workflows and enhanced gaming experiences.

Custom Software

Customize the backlight effects and colors, remap keys and record macros.

- Light Effect
- Music Rhythm
- Macro Edit

Software Download: <https://eweadn.cn/sys-pd/185.html>



Figure 8: The custom software interface for assigning key functions, adjusting lighting, and creating macros.

4.4. Battery Management

The keyboard is equipped with an 8000mAh battery, providing extended usage. Connect via USB-C cable to charge the device. Battery indicator LEDs are located near the ESC key.



Figure 9: The keyboard's large 8000mAh battery ensures prolonged wireless operation.

5. MAINTENANCE

5.1. Cleaning

To clean your keyboard, disconnect it from all power sources. Use a soft, dry cloth to wipe down the keycaps and chassis. For deeper cleaning, remove keycaps using the provided puller and use compressed air to clear debris.

5.2. Hot-Swappable Switches and Keycaps

The X99 features a hot-swappable PCB, allowing for easy replacement of 3-pin/5-pin mechanical switches without soldering. The PBT double-shot keycaps are durable and resistant to wear.

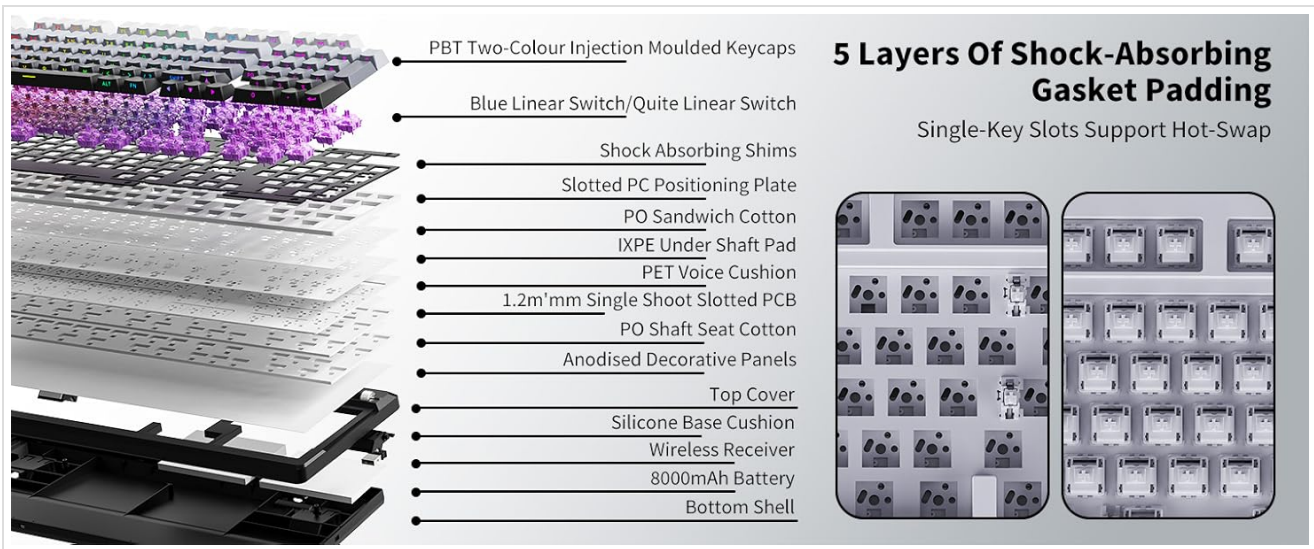


Figure 10: Exploded view of the keyboard's internal structure, highlighting the gasket mount and hot-swappable switch sockets.

Your browser does not support the video tag.

Video 3: X99 Blue Linear Switch Sound Test. This video demonstrates the sound profile of the blue linear switches.

Your browser does not support the video tag.

Video 4: X99 Quite Linear Switch Sound Test. This video demonstrates the sound profile of the quiet linear switches.

6. TROUBLESHOOTING

- **Connectivity Issues:** Ensure the mode switch (2.4G, BT, Wired) is correctly set. For 2.4GHz, verify the dongle is properly inserted. For Bluetooth, ensure the keyboard is in pairing mode and visible to your device.
- **Lighting Malfunctions:** Check function key combinations for lighting control. If issues persist, consult the driver software for advanced settings.
- **Keys Not Responding:** Try switching to wired mode to rule out wireless interference or battery issues. If individual keys fail, consider replacing the switch using the provided tools and spare switches.
- **Software Download:** If you encounter issues with custom software, please refer to the official EWEADN website for the latest drivers and support.

7. SPECIFICATIONS

Model Number	X99
Connectivity Technology	Bluetooth 5.0, 2.4GHz Wireless, USB Type-C Wired
Key Layout	99 Keys
Switch Type	Hot-Swappable 3-pin/5-pin Mechanical Switches (Quite Linear Switch)
Keycaps	PBT Double-Shot Keycaps
Mounting Style	Gasket Mount with 5-layer Sound-Dampening Structure
Battery Capacity	8000mAh
RGB Lighting	16.8 Million Colors, Dynamic Effects, Music Rhythm Modes
Compatible Devices	Gaming Console, Laptop, Mac, PC, Tablet
Dimensions	17.87 x 8.11 x 2.13 inches
Item Weight	3.56 pounds

8. WARRANTY AND SUPPORT

Your EWEADN X99 keyboard comes with a **360-day manufacturer warranty**. For any questions, concerns, or technical assistance, please contact our support team. We aim to provide a response within **24 hours**. For more information and to explore other products, visit the [SEUNKWANG Store](#).

The logo for EWEADN, featuring the brand name in a bold, black, sans-serif font. The letters are closely spaced and have a slightly irregular, hand-drawn appearance.

Figure 11: EWEADN Brand Logo.