

[Manuals.plus](#) /

› [GEESEN](#) /

› GEESEN 50L (16 Gallon) Horizontal Electric Water Heater User Manual

GEESEN GE5000WS

GEESEN 50L (16 Gallon) Horizontal Electric Water Heater User Manual

Model: GE5000WS

1. IMPORTANT SAFETY INFORMATION

Read all instructions carefully before installation and operation. Failure to follow these instructions may result in property damage, personal injury, or death.

- Ensure the water heater is completely filled with water before connecting to power. Operating the heater dry will cause damage.
- This appliance must be properly grounded.
- Do not install in areas where flammable liquids or gases are stored.
- The heater is designed for wet environments and is waterproof. However, ensure all electrical connections are protected from direct water exposure.
- For long periods of non-use, drain the water from the tank to prevent stagnation or freezing damage.
- Installation and maintenance should be performed by qualified personnel in accordance with local codes and regulations.

2. PRODUCT OVERVIEW

The GEESEN 50L (16 Gallon) Horizontal Electric Water Heater is designed for compact, point-of-use applications in RVs, trailers, and various indoor settings. It features an adjustable thermostat for precise temperature control and a durable design.



Front view of the GEESSEN 50L electric water heater, showing the temperature gauge and control dial.

2.1 Key Features

- **Capacity:** 50 Liters (approximately 16 Gallons)
- **Power:** 1500 Watts, 120 Volts
- **Design:** Compact, Horizontal, Point-of-Use
- **Thermostat:** Adjustable for desired water temperature
- **Waterproof:** Suitable for wet environments
- **Heating Element:** 800 Enamel Stainless Steel

3. INSTALLATION

This section provides general guidelines for installing your GEESSEN electric water heater. Always refer to local plumbing and electrical codes for specific requirements.

3.1 Package Contents

- GEESSEN Electric Water Heater Unit
- American Standard Adapter NTP1/2
- Drip Tube
- Mounting Plate
- Safety Valve

- Screws for mounting

3.2 Mounting the Unit

The water heater is designed for wall mounting. Select a suitable location that can support the weight of the unit when full (approximately 36.7 lbs dry + 16 gallons * 8.34 lbs/gallon = ~170 lbs). Ensure adequate clearance for plumbing and electrical connections.

GE ESEN
GE ESEN.Inc

#StorageWaterHeater

RV Water Heater

More than just
Hot Water

40%
longer tank lifespan

20%
More hot water output

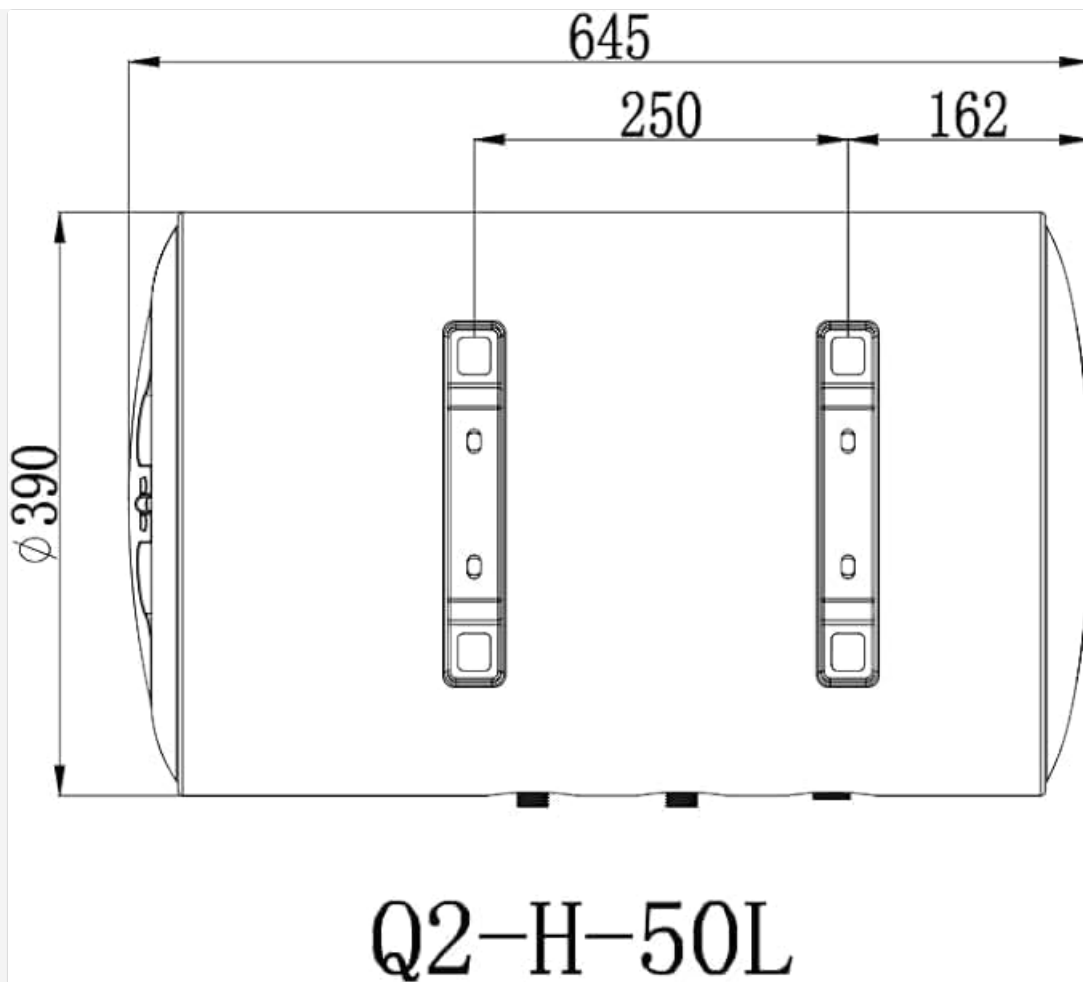
10%
longer heat retention

www.geesentech.com

- Suitable for Hard Water
- Glassline Coated Element
- Blueline Polymer Coated Tank
- Suitable for Pressure Pump

The advertisement features a white cylindrical water heater mounted on a dark grey tiled wall. Below the heater, a white bathtub is partially visible. The background is a dark, textured wall with a grid pattern. The text is primarily in white and orange/gold colors.

Detailed technical drawing showing the dimensions of the GE ESEN 50L horizontal water heater in millimeters (approx. 15.4"W x 25.6"H).



An individual performing installation of the GEESEN water heater, connecting pipes beneath the unit in a bathroom setting.

3.3 Plumbing Connections

Connect the cold water inlet and hot water outlet as shown in the diagrams. Install the provided safety valve on the cold water inlet line. Ensure all connections are watertight.



Technical diagram (Fig. 1) showing the magnesium anode, power cord, hot water outlet, and cold water inlet of the water heater.

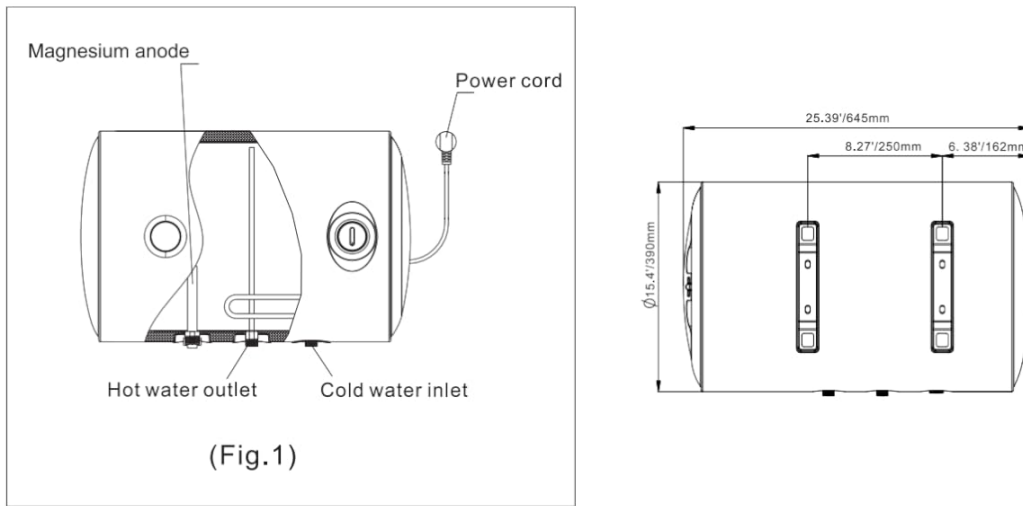


*GEESEN is committed to providing customers with a stable hot water device. GEESEN offers a **15-year LONG LIFE** to ensure that customers can enjoy the premium quality of life brought by hot water with peace of mind*

GEESEN 15 GALLON WATER HEATER



Technical diagram (Fig. 3) detailing the connection points for the power supply cord, hot water outlet, cold water inlet, one-way safety valve, pressure release hole, and shower nozzle.

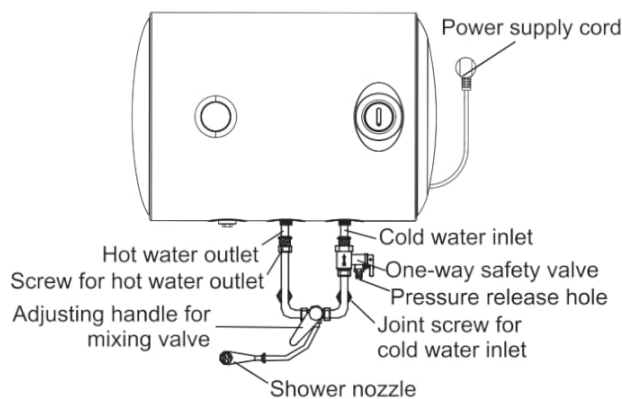


(Fig.1)

Technical diagram (Fig. 4) illustrating the plumbing connections for the main machine, power supply cord, one-way safety valve, water inlet valve, mixing valve, and shower nozzle.

3.4 Electrical Connections

The unit operates on 120 Volts and requires 1500 Watts. Ensure the electrical circuit can support this load. The water heater comes with a plug for standard 120V outlets. Ensure proper grounding.



(Fig. 3)

4. OPERATION

4.1 Initial Startup

1. Before plugging in the unit, ensure the tank is completely filled with water. Open a hot water faucet in your system to allow air to escape until a steady stream of water flows.
2. Plug the water heater into a grounded 120V outlet.
3. The first time the tank heater is used, it may take several hours to heat the water to the desired temperature.

4.2 Adjusting Water Temperature

The water heater is equipped with an adjustable thermostat. Use the control dial on the front of the unit to set your desired water temperature (Low, Mid, High).



Diagram illustrating the adjustable temperature control dial and various applications for hot water.

5. MAINTENANCE

Regular maintenance ensures optimal performance and extends the lifespan of your water heater.

- **Draining the Tank:** If the water heater will not be used for an extended period, or if there is a risk of freezing,

drain the water from the tank. Disconnect power, close the cold water inlet valve, and open a hot water faucet to relieve pressure. Use the drip tube or a drain valve (if installed) to empty the tank.

- **Anode Rod Inspection:** The magnesium anode rod (shown in Fig. 1) helps protect the tank from corrosion. It should be inspected periodically (e.g., annually) and replaced if significantly depleted. This typically requires professional service.
- **Safety Valve Check:** Periodically test the temperature and pressure relief (T&P) valve by lifting the lever. Ensure water discharges freely. If it does not, replace the valve.
- **Cleaning:** Keep the exterior of the unit clean and free from obstructions.

6. TROUBLESHOOTING

This section addresses common issues you might encounter with your water heater.

Problem	Possible Cause	Solution
No hot water	No power to the unit Thermostat set too low Heating element failure Thermal cut-out tripped	Check power supply, circuit breaker, and plug connection. Adjust thermostat to a higher setting. Contact customer service for element replacement. Reset thermal cut-out (requires professional service).
Insufficient hot water	Thermostat set too low High hot water demand Sediment buildup in tank	Increase thermostat setting. Allow more time for water to heat between uses. Flush the tank (requires professional service).
Water leaking from unit	Loose plumbing connections Faulty T&P valve Tank leak	Tighten connections. Replace T&P valve. Contact customer service immediately.

For issues not listed here or if troubleshooting steps do not resolve the problem, please contact GEESEN customer service.

7. SPECIFICATIONS

Feature	Detail
Brand	GEESEN
Model Number	GE5000WS
Capacity	50 Liters (approx. 16 Gallons)
Product Dimensions (W x H)	15.4" x 25.6"
Wattage	1500 watts
Voltage	120 Volts
Maximum Operating Pressure	150 PSI

Feature	Detail
Mounting Type	Wall
Special Features	Compact, Point-of-use, Waterproof
Item Weight	36.7 pounds (empty)

8. WARRANTY AND SUPPORT

For any problems with the installation process, operation, or general inquiries, please contact GEESEN customer service directly. While specific warranty periods may vary, GEESEN is committed to product quality and customer satisfaction.

Please retain your proof of purchase for any warranty claims.

