



Manuals.plus /

- › AKORD /
- › AKORD Oliwia W30 Wall Cabinet Instruction Manual

## AKORD Oliwia W30

# AKORD Oliwia W30 Wall Cabinet Instruction Manual

Model: Oliwia W30 (KS0POLIBIACZERPOL008H720)

Brand: AKORD

## PRODUCT OVERVIEW

---

The AKORD Oliwia W30 Wall Cabinet is a functional and durable storage solution designed for modern kitchens. This manual provides essential information for safe assembly, installation, operation, and maintenance of your new cabinet.



Figure 1: AKORD Oliwia W30 Wall Cabinet in a kitchen setting.

## IMPORTANT SAFETY INFORMATION

---

Please read and understand all safety instructions before proceeding with assembly or use. Failure to follow these instructions may result in injury or damage to the product.

- Always read all instructions carefully before assembly and use.
- Use appropriate tools and wear protective equipment (e.g., gloves, safety glasses) during assembly.
- Ensure the cabinet is securely mounted to a suitable wall structure. Improper mounting can lead to the cabinet falling and causing severe injury or damage.
- Do not overload shelves. Distribute weight evenly to maintain stability.
- Keep small parts and hardware away from children to prevent choking hazards.

## 1. ASSEMBLY AND INSTALLATION

---

### 1.1 Unpacking and Inventory

- Carefully unpack all components from the packaging.
- Verify that all parts listed in the included parts list are present and undamaged. If any parts are missing

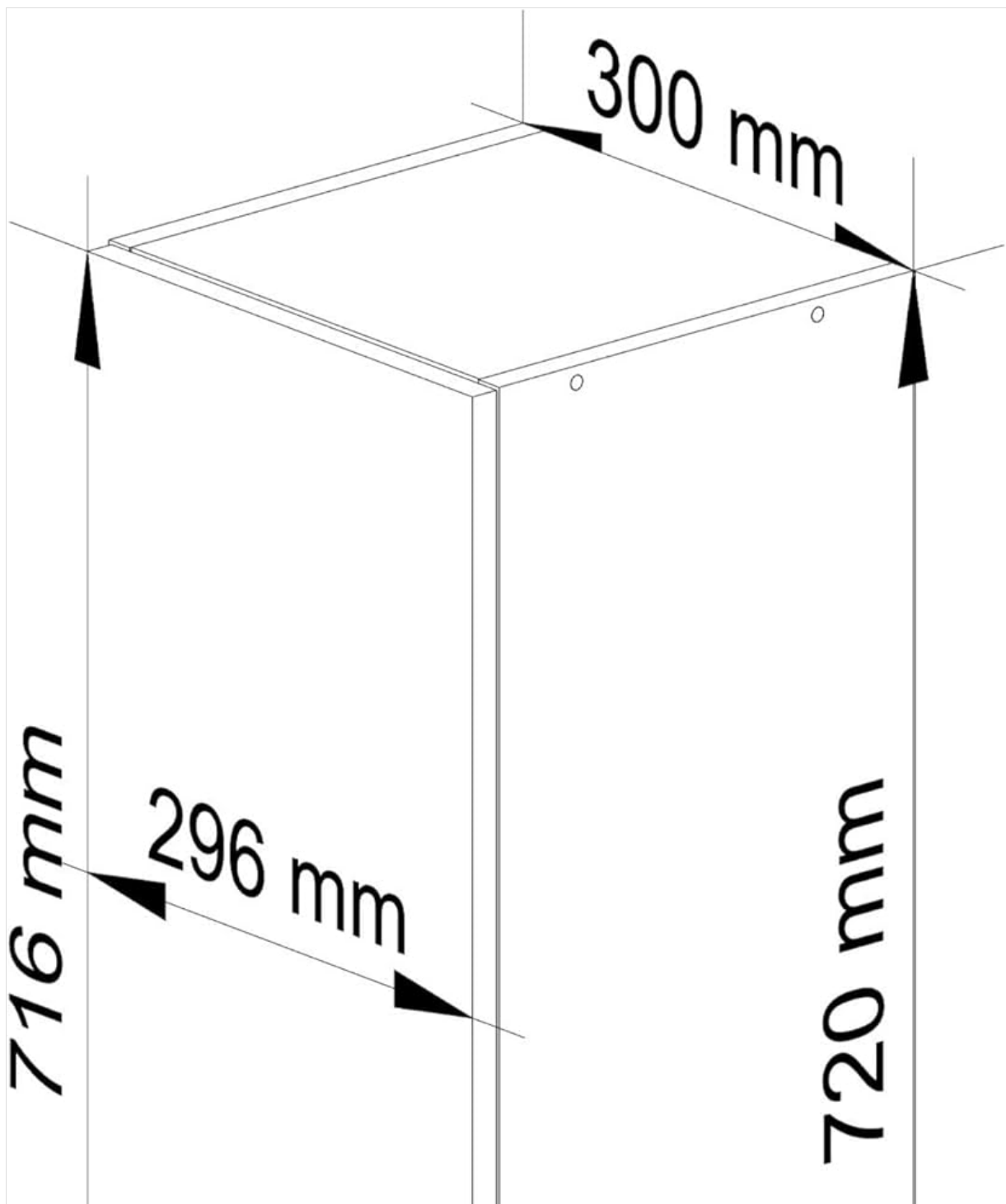
or damaged, do not proceed with assembly and contact customer support.

## 1.2 Tools Required

- Phillips Head Screwdriver
- Flathead Screwdriver
- Hammer
- Electric Drill (for wall mounting)
- Spirit Level
- Measuring Tape
- Pencil

## 1.3 Assembly Steps

Follow the detailed, step-by-step assembly instructions provided within your product package. Ensure all connections are tight and secure before proceeding to wall mounting.



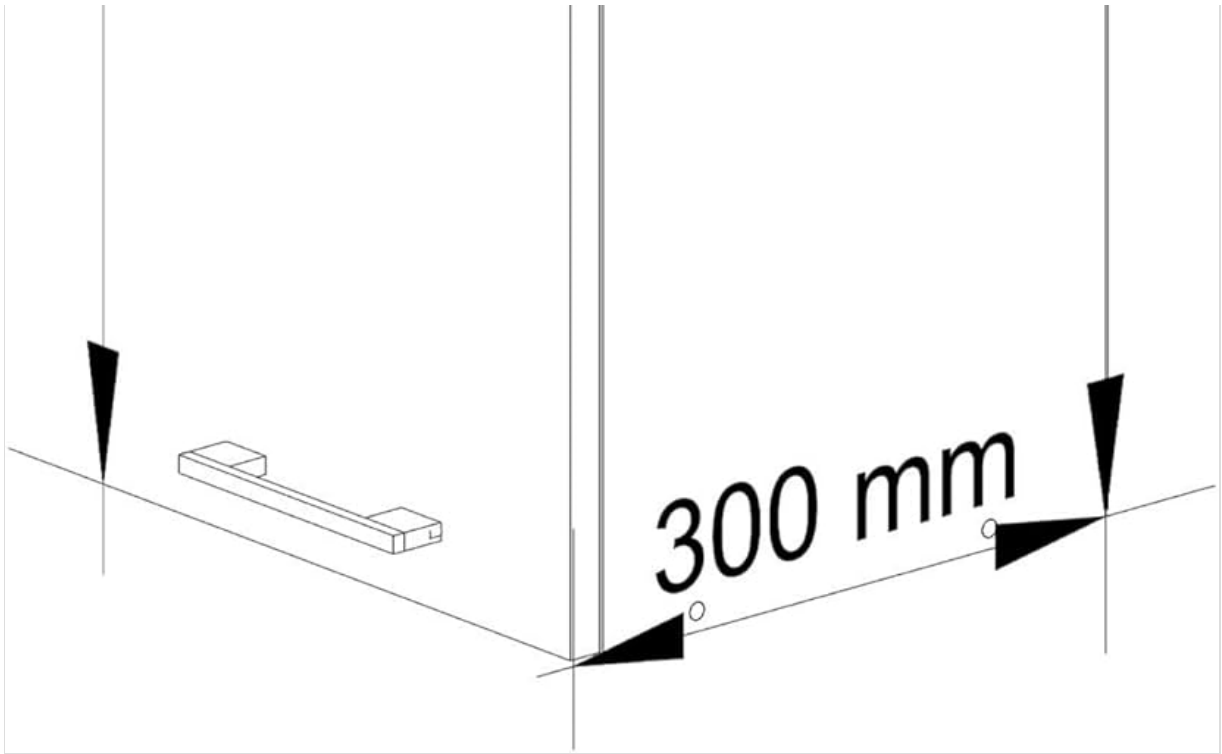


Figure 2: Cabinet Dimensions. The cabinet measures approximately 300mm (width) x 300mm (depth) x 720mm (height).

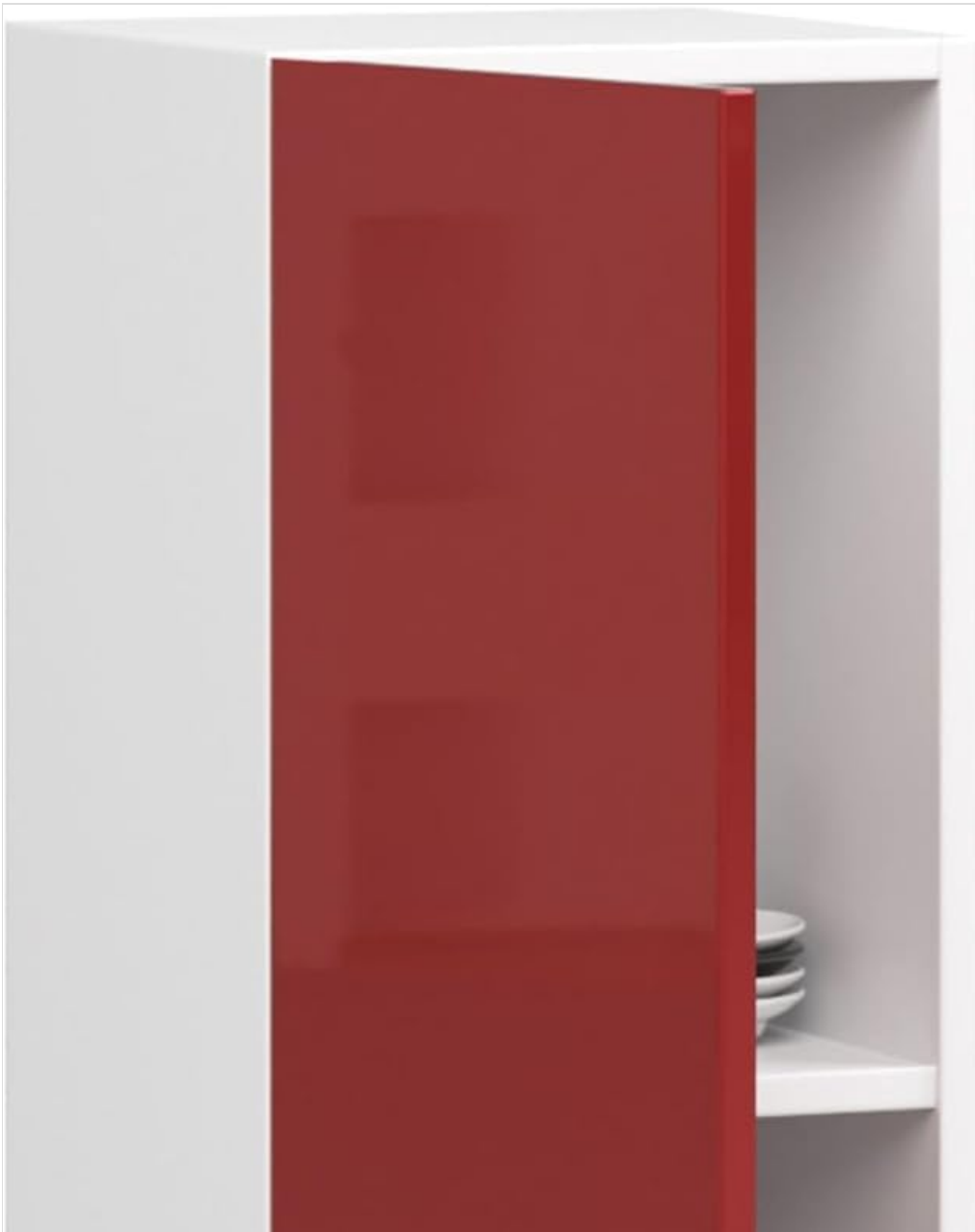




Figure 3: Internal Structure. The cabinet features one door and two adjustable shelves for organized storage.

## 1.4 Wall Mounting

1. **Select Location:** Choose a suitable location on a sturdy wall. Ensure there are no hidden electrical wires or plumbing pipes behind the drilling area.
2. **Mark Drilling Points:** Use a spirit level and pencil to accurately mark the drilling points for the mounting hardware. Refer to the assembly instructions for precise measurements.
3. **Drill Holes:** Drill pilot holes at the marked points. Use a drill bit appropriate for your wall material (e.g., masonry, drywall).
4. **Insert Wall Anchors:** Insert appropriate wall anchors into the drilled holes. Ensure the anchors are suitable for the weight of the cabinet and its contents.
5. **Attach Cabinet:** Securely attach the cabinet to the wall using the provided mounting brackets and screws.
6. **Verify Stability:** Double-check that the cabinet is level and firmly attached to the wall before placing any items inside.

## 2. OPERATION

---

### 2.1 Opening and Closing the Door

The cabinet is equipped with a single door and a practical handle designed for ease of use. To open, gently pull the handle. To close, push the door until it is fully shut.



Figure 4: Door Operation. The ergonomic handle facilitates smooth opening and closing.

## 2.2 Adjusting Shelves

The two internal shelves can be adjusted to different heights to accommodate various items. To adjust a shelf:

1. Empty the shelf of all contents.
2. Carefully lift the shelf and remove the shelf supports from their current holes.
3. Reposition the shelf supports into the desired pre-drilled holes at the new height.
4. Place the shelf back onto the supports, ensuring it is level and stable.

## 3. CARE AND MAINTENANCE

---

### 3.1 Cleaning

The cabinet's smooth surfaces and matte handles are designed for easy cleaning.

- Wipe surfaces with a soft cloth dampened with water and a mild, non-abrasive detergent.
- Avoid using harsh chemicals, abrasive cleaners, or scouring pads, as these can damage the finish.
- Immediately dry all surfaces with a clean, soft cloth to prevent water spots or moisture damage.

### 3.2 General Care

- Regularly check all screws, hinges, and fittings for tightness and re-tighten if necessary to maintain structural integrity.
- Avoid exposing the cabinet to excessive moisture, extreme temperatures, or direct sunlight for prolonged periods, which can cause warping or fading.
- Do not place hot items directly on the cabinet surface without protection.

## 4. TROUBLESHOOTING

Problem	Possible Cause	Solution
Door does not close properly or is misaligned.	Hinges are loose or improperly adjusted.	Adjust the hinges using a screwdriver. Refer to the assembly instructions for detailed hinge adjustment steps.
Cabinet feels unstable after mounting.	Mounting screws are loose or wall anchors are insufficient for the wall type.	Ensure all mounting screws are tightened. If necessary, use more robust wall anchors suitable for your specific wall type. Consult a professional if unsure.
Shelves are wobbly.	Shelf supports are not fully inserted or are damaged.	Ensure shelf supports are fully seated in the pre-drilled holes. Replace damaged supports if necessary.
Scratches or abrasions on the surface.	Improper cleaning agents or contact with sharp objects.	Use only soft cloths and mild detergents for cleaning. Avoid placing sharp objects directly on the surface.
Difficulty during assembly.	Instructions not followed carefully, or parts are misidentified.	Review the assembly instructions step-by-step. Ensure all parts are correctly identified before proceeding. Contact customer support if issues persist.

## 5. SPECIFICATIONS

**Model:** Oliwia W30 (KS0POLIBIACZERPOL008H720)

**Brand:** AKORD

**Dimensions (W x D x H):** 30 cm x 30 cm x 72 cm (approximately 11.8 in x 11.8 in x 28.3 in)

**Weight:** 11.4 kg (approximately 25.1 lbs)

**Material:** Laminated board, ABS edges, Engineered wood

**Color:** White | Glossy Red

**Number of Doors:** 1

**Number of Shelves:** 2 (adjustable)

**Mounting Type:** Wall Mount

**Special Features:** Resistant to moisture, scratches, stains; adjustable shelves.

**Recommended Use:** Kitchen storage

**Country of Origin:** Poland

## 6. WARRANTY INFORMATION

This AKORD Oliwia W30 Wall Cabinet is covered by a **24-month warranty** from the date of purchase. This warranty specifically covers manufacturing defects and material faults under normal household use. It does not cover damage resulting from improper assembly, misuse, accidents, unauthorized modifications, or normal wear and tear. To make a warranty claim, please retain your original proof of purchase.

## 7. CUSTOMER SUPPORT

---

If you encounter any issues during the assembly, operation, or maintenance of your AKORD Oliwia W30 Wall Cabinet that are not addressed in this manual, please do not hesitate to contact AKORD customer support for assistance.

For further information or to explore other AKORD products, please visit the official AKORD store on Amazon: [AKORD Store](#).

When contacting support, please have your model number (Oliwia W30 / KS0POLIBIACZERPOL008H720) and proof of purchase readily available to expedite the process.