



Manuals.plus /

› MELLCOM /

› MELLCOM Fixed Height 36in Folding Craft Table Instruction Manual

MELLCOM craft table

MELLCOM Fixed Height 36in Folding Craft Table

Instruction Manual

IMPORTANT SAFETY INFORMATION

Please read and understand all instructions before assembly and use. Retain this manual for future reference.

- Always assemble and use the table according to the provided instructions.
- Be cautious of pinch points when folding and unfolding the table.
- Do not exceed the maximum weight recommendation of **200 pounds** to prevent instability.
- Ensure the table is properly secured when in use to prevent tipping or collapse.
- Keep the table away from heat sources and do not expose it to excessive moisture.
- Wipe with a dry cloth for cleaning. Avoid harsh chemicals.

PRODUCT OVERVIEW

The MELLCOM Fixed Height 36in Folding Craft Table is designed for versatility and convenience, ideal for sewing, crafting, and general workspace needs. It features a sturdy construction, ample storage, and mobile design.



Figure 1: MELLCOM Folding Craft Table in a craft room setup.

Key Features:

- **Foldable Design:** Easily expand or collapse the table to suit your space requirements.
- **Ample Workspace:** Fully extended, the table provides a large surface for various projects.
- **Integrated Storage:** Includes a side-divided fabric storage bag and two bottom shelves for organizing tools and supplies.
- **Mobility:** Equipped with four lockable casters for easy movement and stable positioning.
- **Durable Construction:** Made from high-quality wood and a powder-coated iron frame.

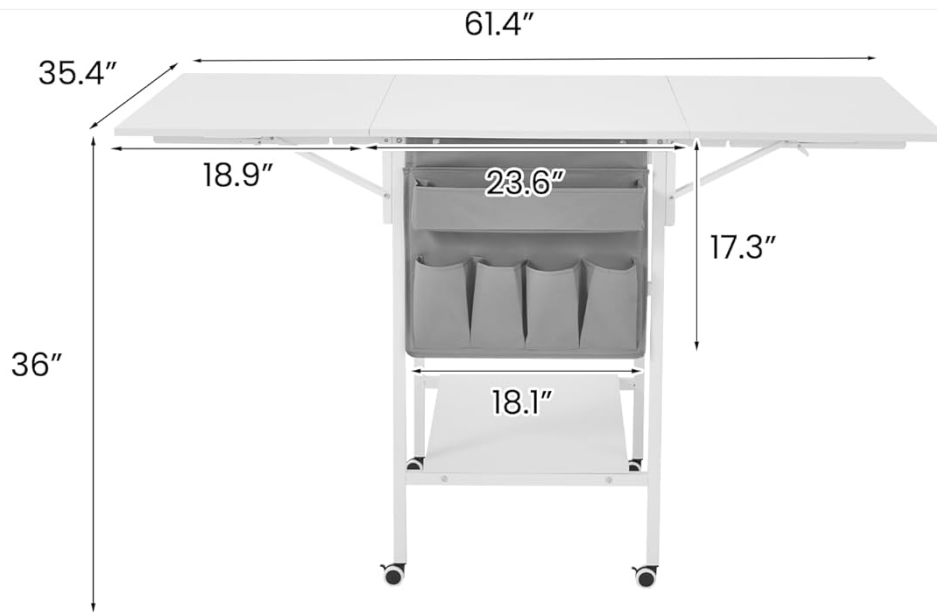
SETUP AND ASSEMBLY

Assembly of the MELLCOM Folding Craft Table typically requires one person and a screwdriver. An assembly guide is included with the product. Follow the steps below for a smooth setup.

Assembly Steps:

1. Unpack all components and verify against the included parts list.
2. Assemble the main frame structure according to the detailed diagrams in the assembly guide. Ensure all screws are tightened securely.

3. Attach the four lockable casters to the bottom of the table legs. Ensure they are firmly attached for stability and mobility.
4. Install the bottom shelves onto the frame.
5. Attach the main tabletop and the folding panels. Pay attention to the adjustable support hinges for the folding panels.
6. Hang the fabric storage bag onto the designated hooks or frame section.



When you don't need the full size, just put down a leaf and use the main part with one leaf. When you need more workspace, lift both leaves.



Figure 2: Product dimensions for assembly reference.

Note: While assembly is straightforward, having a second person may assist with lifting and positioning heavier components.

OPERATING INSTRUCTIONS

Folding and Unfolding the Table:

The table features two folding panels that allow you to adjust the workspace size. Always ensure the area around the table is clear before folding or unfolding.

1. **To Unfold a Panel:** Gently lift the folding panel until it is horizontal. Engage the adjustable support hinge underneath the panel to secure it in place. Ensure the support is fully extended and locked.
2. **To Fold a Panel:** Disengage the adjustable support hinge by pressing the release mechanism. Carefully lower the panel downwards until it rests vertically against the main table frame.



Figure 3: Step-by-step illustration of folding and unfolding the table panels.

Using the Storage Features:

- **Fabric Storage Bag:** Utilize the side-divided fabric bag for small craft tools, threads, scissors, and other frequently accessed items.
- **Bottom Shelves:** The two integrated shelves provide additional space for larger items, project bags, or other supplies.

Fabric Storage

Provide additional storage space for your sewing supplies



Figure 4: Detail of the fabric storage bag for sewing supplies.



Figure 5: Close-up of casters and bottom shelves.

Mobility:

The table is equipped with four casters for easy movement. Each caster has a locking mechanism.

- **To Move:** Unlock all four casters by flipping the lever on each wheel. Gently push the table to its desired location.
- **To Secure:** Once in position, lock all four casters by flipping the lever back. This prevents the table from moving during use.

MAINTENANCE

Proper care and maintenance will extend the life of your MELLCOM Folding Craft Table.

- **Cleaning:** Wipe the table surfaces with a dry, soft cloth. For stubborn marks, a slightly damp cloth can be used, followed immediately by a dry cloth.
- **Avoid Moisture:** Do not expose the table to excessive moisture or liquids, as this can damage the wood and finish.
- **Temperature:** Avoid placing the table in areas with extreme temperature fluctuations or direct sunlight for prolonged periods.
- **Weight Distribution:** Distribute weight evenly across the tabletop and shelves. Do not place heavy objects on the folding panels when they are not fully supported.
- **Caster Check:** Periodically check the casters to ensure they are clean and functioning correctly. Remove any debris that may hinder movement.

TROUBLESHOOTING

This section addresses common issues you might encounter with your craft table.

Common Issues:

- **Table is unstable or wobbly:**
 - Ensure all assembly screws are securely tightened.
 - Verify that all four casters are locked when the table is stationary.
 - Check that the adjustable support hinges for the folding panels are fully engaged.
- **Folding panels do not stay up:**
 - Confirm that the adjustable support hinges are properly extended and locked into position.
 - Inspect hinges for any damage or obstruction.
- **Casters are difficult to roll or lock:**
 - Check for debris (thread, dust, hair) caught in the caster wheels. Clean as necessary.
 - Ensure the locking mechanism is fully engaged or disengaged.

If you encounter issues not listed here or require further assistance, please contact customer support.

SPECIFICATIONS

| Feature | Specification |
|---------------------------------|---------------------------|
| Brand | MELLCOM |
| Model Name | craft table |
| Overall Dimensions (Extended) | 61.4" W x 35.4" D x 36" H |
| Center Panel Dimensions | 23.6" W x 35.4" D |
| Folding Panel Dimensions (each) | 18.9" W x 35.4" D |
| Item Weight | 61.7 Pounds |
| Maximum Weight Recommendation | 200 Pounds |
| Frame Material | Iron |
| Top Material Type | Engineered Wood |
| Color | White |
| Number of Shelves | 2 |
| Mobility | 4 Lockable Casters |
| Assembly Required | Yes |
| Recommended Tools for Assembly | Screw Driver |



Figure 6: Table in folded configuration for compact storage.

WARRANTY AND SUPPORT

For warranty information, product support, or to purchase replacement parts, please refer to the contact information provided with your purchase or visit the official MELLCOM website.

MELLCOM Customer Service: Visit the MELLCOM Store on Amazon