

sweeek Edmond Gas Barbecue Model 3701672509965

sweeek Edmond Gas Barbecue User Manual

Model: Edmond Gas Barbecue Model 3701672509965

1. IMPORTANT SAFETY INFORMATION

Please read this entire manual carefully before assembling, operating, or servicing your sweeek Edmond Gas Barbecue. Failure to follow these instructions could result in property damage, bodily injury, or death.

- **FOR OUTDOOR USE ONLY.** Do not operate this appliance indoors.
- Keep children and pets away from the barbecue at all times.
- Ensure the barbecue is placed on a stable, level surface, away from flammable materials.
- Always check for gas leaks before each use. Refer to the 'Operating Instructions' section for leak testing procedures.
- A gas hose and pressure regulator are required for connection to a gas bottle and are **NOT INCLUDED** with this product. Ensure they are compatible with Butane or Propane gas and meet local safety standards.
- Do not store or use gasoline or other flammable liquids or vapors in the vicinity of this or any other appliance.
- Always wear protective gloves when handling hot surfaces.

2. PRODUCT OVERVIEW

The sweeek Edmond Gas Barbecue is designed for outdoor cooking, featuring multiple burners and a robust construction for efficient grilling.

- **Burners:** 6 main burners + 1 side burner for versatile cooking.
- **Ignition:** Electronic Piezo ignition for easy startup.
- **Temperature Control:** Integrated thermometer in the lid for monitoring cooking temperature.
- **Construction:** High-quality steel frame with heat-resistant epoxy paint. Stainless steel burners.
- **Cooking Surface:** Enameled cast iron grill grates.
- **Mobility:** Equipped with 4 wheels for easy relocation.

- **Storage:** Front cabinet with 2 doors.



Figure 2.1: Overview of the sweeek Edmond Gas Barbecue with the lid closed.

3. SETUP AND ASSEMBLY

Assembly of the sweeek Edmond Gas Barbecue is straightforward. A detailed assembly manual is included in the product packaging. Ensure all components are present and undamaged before beginning assembly.

3.1 Component Check

Before assembly, unpack all parts and verify against the included parts list. Contact customer support if any parts are missing or damaged.

3.2 Assembly Steps

1. Follow the step-by-step instructions provided in the separate assembly manual.
2. Ensure all fasteners are securely tightened.

3. Attach the wheels to the base for mobility.
4. Install the side shelves and the main grill body.
5. Place the enameled cast iron grill grates and warming rack into position.

3.3 Gas Connection

Connect a suitable gas hose and pressure regulator (not supplied) to your gas bottle and the barbecue's gas inlet. Ensure all connections are tight and perform a leak test before first use.

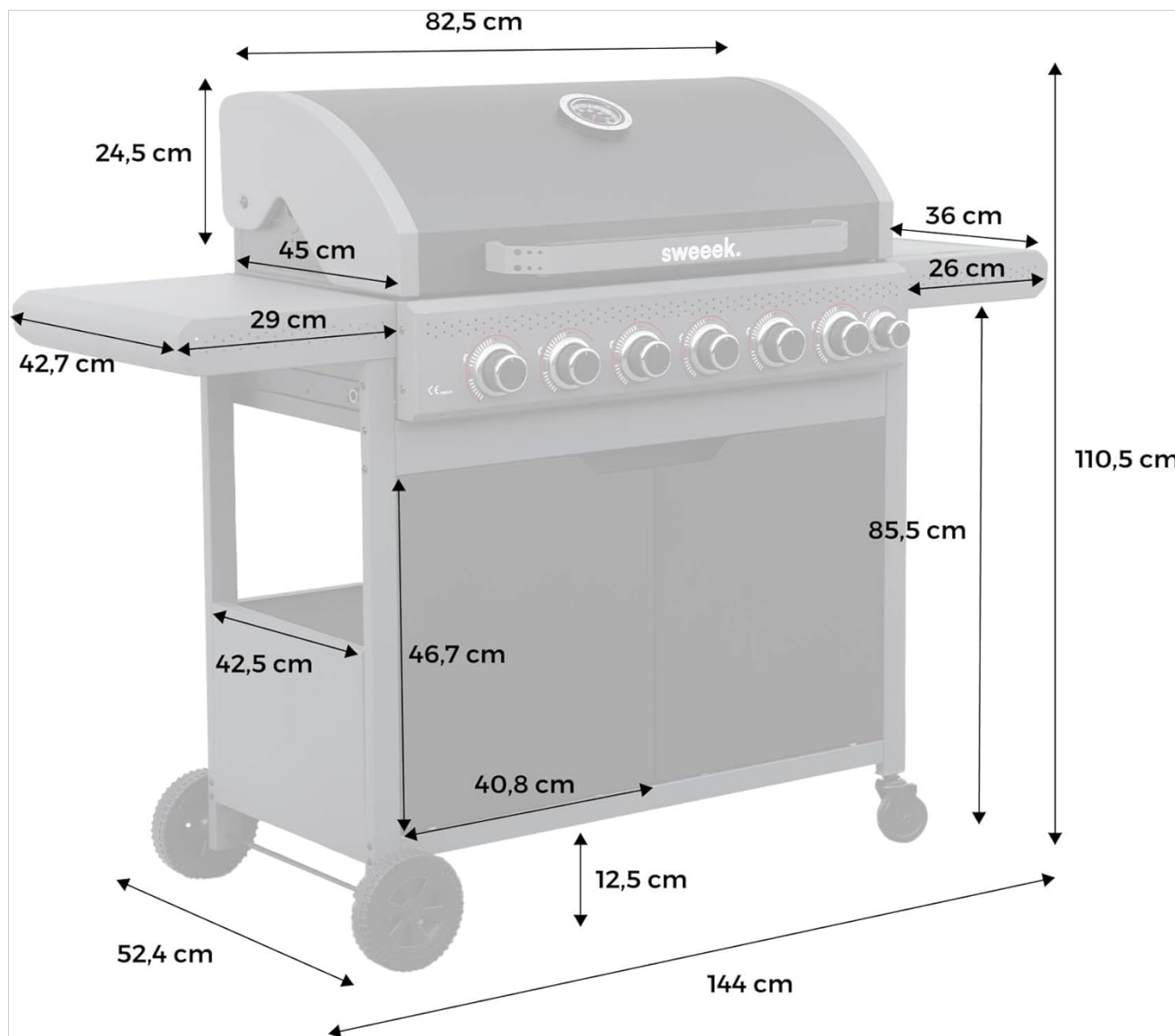


Figure 3.1: Dimensional diagram of the barbecue, useful for planning placement.

4. OPERATING INSTRUCTIONS

This section details how to safely operate your gas barbecue.

4.1 Leak Testing

Perform a leak test every time you connect a new gas bottle or if you suspect a leak.

1. Mix a solution of equal parts liquid dish soap and water.
2. Ensure all burner control knobs are in the 'OFF' position.
3. Turn on the gas supply at the bottle.

4. Apply the soap solution to all gas connections (hose to regulator, regulator to bottle, hose to barbecue inlet).
5. If bubbles appear, there is a leak. Immediately turn off the gas supply. Tighten connections and re-test. If the leak persists, do not use the barbecue and contact customer support.

4.2 Lighting the Main Burners

1. Open the barbecue lid.
2. Ensure all burner control knobs are in the 'OFF' position.
3. Open the gas supply valve on the gas bottle.
4. Push in and turn one main burner control knob counter-clockwise to the 'HIGH' position.
5. Press and hold the electronic piezo ignition button until the burner ignites. You should hear a clicking sound.
6. Once ignited, release the ignition button. If the burner does not light within 5 seconds, turn the control knob to 'OFF', wait 5 minutes for gas to dissipate, and repeat the process.
7. Repeat for other main burners as needed. Each burner operates independently.
8. Adjust the flame intensity by turning the control knobs between 'HIGH' and 'LOW'.

4.3 Lighting the Side Burner

1. Open the side burner lid.
2. Ensure the side burner control knob is in the 'OFF' position.
3. Open the gas supply valve on the gas bottle.
4. Push in and turn the side burner control knob counter-clockwise to the 'HIGH' position.
5. Press and hold the electronic piezo ignition button until the burner ignites.
6. Once ignited, release the ignition button. If the burner does not light within 5 seconds, turn the control knob to 'OFF', wait 5 minutes, and repeat.
7. Adjust the flame intensity as required.



Figure 4.1: Control knobs and integrated thermometer.



Figure 4.2: The auxiliary side burner.



Figure 4.3: Barbecue in operation with food on the grill.

5. MAINTENANCE

Regular cleaning and maintenance will extend the life of your barbecue and ensure safe operation.

5.1 Cleaning the Grill Grates

The enameled cast iron grill grates should be cleaned after each use once they have cooled down.

- Use a grill brush to remove food residue.
- For stubborn residue, wash with warm soapy water and a non-abrasive sponge. Rinse thoroughly and dry completely to prevent rust.

5.2 Grease Tray

The grease tray collects drippings during cooking. It should be emptied and cleaned regularly to prevent grease fires.

- Allow the barbecue to cool completely.
- Carefully slide out the grease tray (dimensions: 11.5 x 18 x 3.5 cm).
- Dispose of collected grease responsibly.
- Wash the tray with warm soapy water, rinse, and dry before replacing.

5.3 Exterior Cleaning

Clean the exterior surfaces with a mild detergent and a soft cloth. Avoid abrasive cleaners or pads that could damage the finish.

6. TROUBLESHOOTING

This section addresses common issues you might encounter with your gas barbecue.

Problem	Possible Cause	Solution
Burner does not light	No gas supply, clogged burner port, faulty igniter.	Check gas bottle, regulator, and hose connections. Ensure gas valve is open. Clean burner ports. Check igniter electrode for spark.
Uneven heating	Clogged burner ports, low gas pressure.	Clean burner ports. Check gas level in bottle. Ensure regulator is functioning correctly.
Yellow or orange flame	Improper air/gas mixture, clogged burner.	Clean burner ports. Ensure air vents are clear.
Gas smell	Gas leak.	Immediately turn off gas supply. Perform a leak test (Section 4.1). Do not use if leak persists.

7. SPECIFICATIONS

Detailed technical specifications for the sweeek Edmond Gas Barbecue.

Feature	Specification
Brand	sweeek
Model Number	3701672509965
Color	Black
Fuel Type	Gas (Butane or Propane recommended)
Total Burners	7 (6 main burners + 1 side burner)
Total Heating Power	20.5 kW (20500 watts)
Main Burner Power	3 kW per burner (total 18 kW for 6 main burners)
Side Burner Power	2.5 kW
Ignition Type	Electronic Piezo

Feature	Specification
Material (Frame)	Alloy Steel with epoxy paint
Material (Burners)	Stainless Steel
Material (Cooking Surface)	Enameled Cast Iron
Overall Dimensions (L x W x H)	144 x 62 x 143 cm
Grill Surface Dimensions	41.5 x 22.5 cm (Note: This seems to be for one grate, not total. The description states 3 grates, so total cooking area would be larger.)
Grill Height	85.5 cm
Lid Dimensions	82.5 x 45 x 24.5 cm
Grease Tray Dimensions	11.5 x 18 x 3.5 cm
Weight	40 kg
Assembly Required	Yes
Special Features	Integrated thermometer, portable (with wheels)

8. WARRANTY AND SUPPORT

For warranty information, please refer to the documentation provided with your purchase or contact the retailer where the product was acquired. Specific warranty terms and conditions may vary.

If you require technical assistance, have questions about assembly, operation, or maintenance, please contact sweeek customer support or your authorized dealer. Please have your model number (Edmond Gas Barbecue Model 3701672509965) and proof of purchase available when contacting support.