



Manuals.plus /

› OTOTEC /

› OTOTEC 582099-00 Sander Finger Platen Replacement Part Instruction Manual for Black & Decker Mouse Sanders

**OTOTEC BF605W**

# OTOTEC 582099-00 Sander Finger Platen Replacement Part Instruction Manual

For Black & Decker KA160, KA161, KA165 Mouse Sanders

## 1. INTRODUCTION

---

This instruction manual provides essential information for the safe and correct installation and use of the OTOTEC 582099-00 Sander Finger Platen Replacement Part. This part is designed to replace worn or damaged finger platens on compatible Black & Decker mouse sanders, restoring their functionality for detailed sanding tasks. Please read this manual thoroughly before attempting installation or use.



Image 1.1: Two OTOTEC 582099-00 sander finger platens, each with a mounting screw. These are replacement parts for detail sanders.

## 2. SAFETY INFORMATION

---

Always observe basic safety precautions when working with power tools and their accessories. Failure to do so may result in personal injury or damage to the tool.

- **Disconnect Power:** Always unplug the sander from the power source before installing, removing, or performing any maintenance on the finger platen.
- **Wear Personal Protective Equipment (PPE):** Use safety glasses, dust masks, and hearing protection when operating power sanders.
- **Inspect Parts:** Before installation, inspect the replacement platen and your sander for any damage or defects. Do not use damaged parts.
- **Secure Installation:** Ensure the replacement platen is securely fastened according to the instructions to prevent detachment during operation.
- **Keep Work Area Clear:** Maintain a clean and well-lit work area.

## 3. PACKAGE CONTENTS

---

Your package should contain the following items:

- 2 x OTOTEC Sander Finger Platen (Part Number: 582099-00)
- 2 x Mounting Screws

## 4. PRODUCT SPECIFICATIONS

<b>Part Number</b>	582099-00
<b>Item Model Number</b>	BF605W
<b>Material</b>	Plastic
<b>Color</b>	Black (with orange accent)
<b>Length</b>	83.3 mm (3.28 inches)
<b>Width (widest point)</b>	39.8 mm (1.57 inches)
<b>Item Weight</b>	1.06 ounces (per platen)

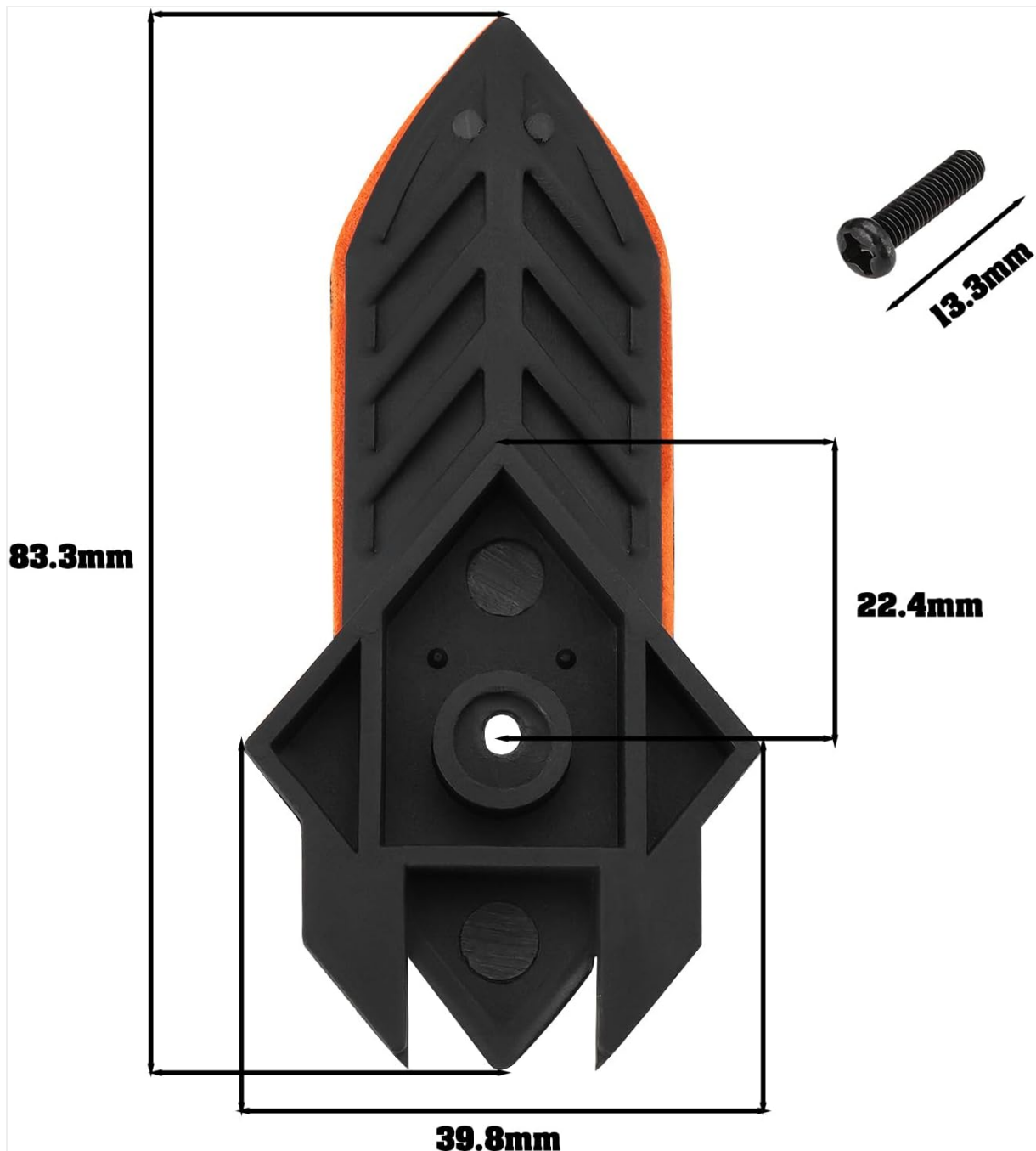


Image 4.1: Detailed dimensions of the OTOTEC 582099-00 sander finger platen, including length, width, and screw size.

## 5. COMPATIBILITY

This replacement finger platen (OEM number: 582099-00) is compatible with the following Black & Decker Mouse Sander models:

- KA160K Type 1
- KA161 Type 1
- KA165GT Type 1
- KA270K Type 1
- KA280 Type 1
- KA1000 Type 1

Please verify your sander's model number before purchasing and installing to ensure proper fitment.

## 6. INSTALLATION INSTRUCTIONS

Follow these steps to replace the finger platen on your compatible Black & Decker mouse sander:

1. **Prepare the Sander:** Ensure the sander is unplugged from the power outlet. Place the sander on a stable, clean surface.
2. **Remove Old Platen:** Locate the screw(s) holding the existing finger platen in place. Use an appropriate screwdriver to carefully remove the screw(s) and detach the old platen.
3. **Clean Area:** Gently clean any dust or debris from the sander's mounting area where the platen attaches.
4. **Position New Platen:** Align the new OTOTEC finger platen with the mounting holes on your sander. Ensure it sits flush and correctly oriented.
5. **Secure New Platen:** Insert the provided mounting screw(s) into the platen and tighten them securely. Do not overtighten, as this can strip the threads or damage the platen.
6. **Verify Installation:** Gently tug on the installed platen to ensure it is firmly attached and does not wobble.



Image 6.1: The finger platen correctly installed on a Black & Decker mouse sander, demonstrating how it integrates with the tool.

## 7. OPERATING INSTRUCTIONS

Once the replacement finger platen is securely installed, your sander is ready for use. The platen provides the necessary surface for attaching detail sanding sheets, allowing you to reach tight spaces and perform intricate sanding tasks. Ensure sanding sheets are properly aligned and adhered to the platen's hook-and-loop surface before operating the sander.

## 8. CARE AND MAINTENANCE

---

- **Cleaning:** After each use, disconnect the sander from power and use a brush or compressed air to remove sanding dust from the platen and surrounding areas. This helps maintain the hook-and-loop adhesion.
- **Inspection:** Periodically inspect the platen for signs of wear, damage, or reduced hook-and-loop effectiveness. Replace the platen if it shows significant wear or damage to ensure optimal sanding performance and safety.
- **Storage:** Store the sander and its accessories in a clean, dry place away from direct sunlight and extreme temperatures.

## 9. TROUBLESHOOTING

---

If you encounter issues with the replacement finger platen, consider the following:

- **Platen Does Not Fit:**
  - Double-check the compatibility list (Section 5) to ensure your sander model is supported.
  - Verify that the old platen's OEM part number matches 582099-00.
  - Ensure the platen is oriented correctly before attempting to secure it.
  - In rare cases, minor manufacturing variations in sanders or replacement parts might require slight adjustment. If the fit is very tight, carefully inspect for any obstructions.
- **Sanding Sheets Do Not Adhere:**
  - Ensure the platen's hook-and-loop surface is clean and free of dust or debris.
  - Verify that you are using sanding sheets designed for hook-and-loop attachment.
  - If the platen's hook-and-loop surface is worn out, it may need replacement.

## 10. WARRANTY AND SUPPORT

---

For any questions regarding the OTOTEC 582099-00 Sander Finger Platen Replacement Part, including compatibility or installation assistance, please contact the manufacturer, OTOTEC, or your retailer. Please have the product's part number (582099-00) and item model number (BF605W) available when seeking support.