

## Manuals+

[Q & A](#) | [Deep Search](#) | [Upload](#)

[manuals.plus](#) /

› [WOLTU](#) /

› [WOLTU NTS24ws-2 Floating Wall-Mounted Nightstand Instruction Manual](#)

## WOLTU NTS24ws-2

# WOLTU NTS24ws-2 Floating Wall-Mounted Nightstand Instruction Manual

Model: NTS24ws-2

## INTRODUCTION

---

Thank you for choosing the WOLTU NTS24ws-2 Floating Wall-Mounted Nightstand. This manual provides essential information for the safe and correct assembly, installation, and maintenance of your new nightstand. Please read these instructions carefully before beginning assembly and retain them for future reference.



Image: Two WOLTU floating nightstands in a bedroom setting, showcasing their aesthetic and functional integration.

## SAFETY INFORMATION

---

### Important Safety Instructions:

- Always follow the assembly instructions provided in the package.
- Securely mount the nightstand to the wall using the provided hardware to prevent tipping and ensure stability.
- Be cautious when operating the drawer to avoid pinch points.
- This product is designed for solid walls only. Ensure your wall type is suitable for mounting.
- Do not exceed the maximum weight capacity of 15 kg.

## PACKAGE CONTENTS

---

Verify that all components are present before beginning assembly:

- 2 x Bedside Table with Storage
- 2 x Assembly Manual
- 2 x Accessory Kit (includes mounting hardware)

## SPECIFICATIONS

---

Feature	Detail
Brand	WOLTU
Model Name	NTS24ws-2
Product Dimensions (D x W x H)	30cm x 40cm x 14cm (11.81"D x 15.75"W x 5.51"H)
Item Weight	4.5 kg (approx. per unit)
Maximum Weight Capacity	15 kg
Frame Material	Wood (15mm thick particle board)
Finish Type	Melamine veneer (Laminated)
Color	White
Number of Drawers	1 per unit

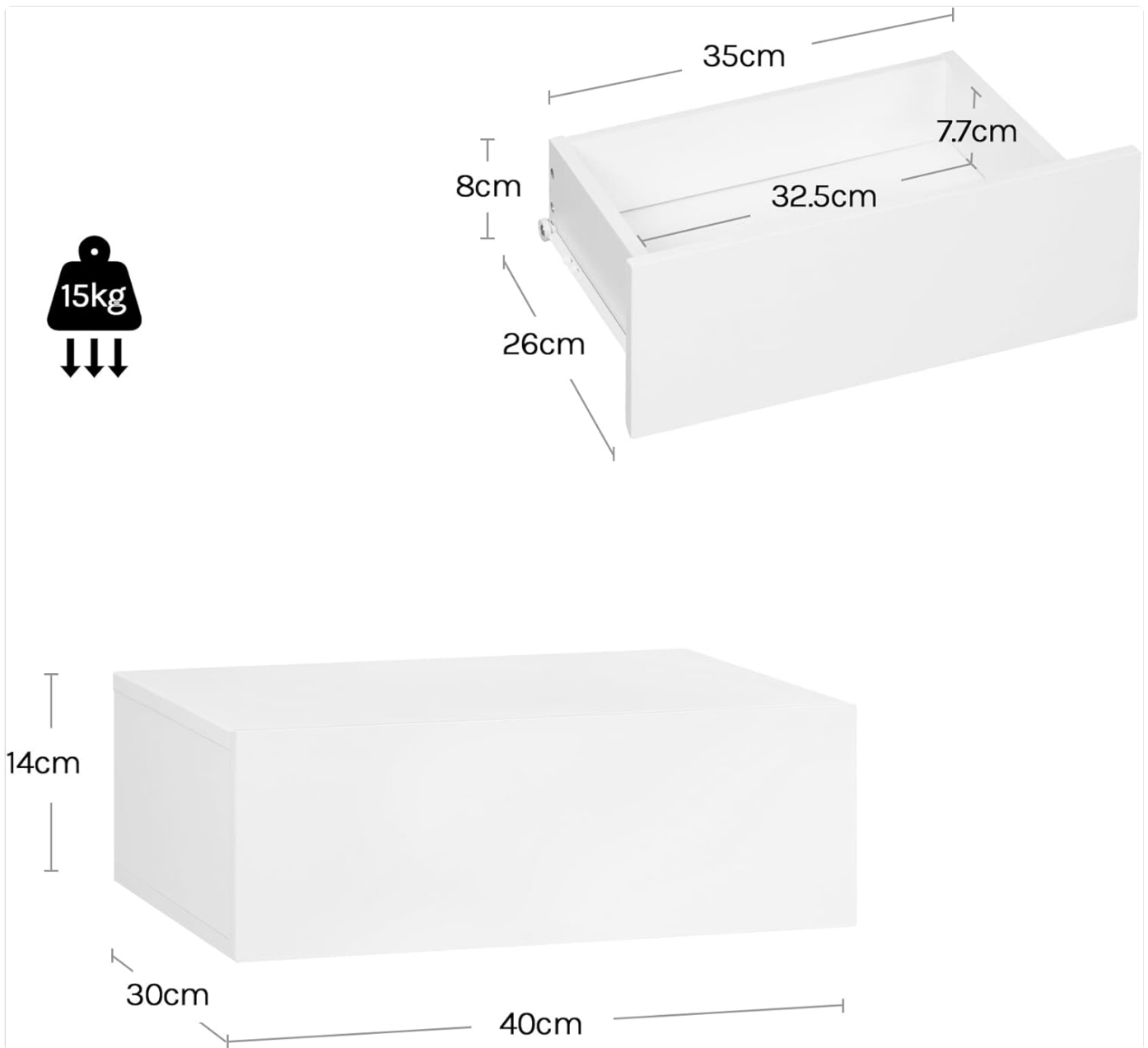


Image: Detailed dimensions of the nightstand and drawer, along with the maximum weight capacity.

## SETUP AND ASSEMBLY

The WOLTU NTS24ws-2 nightstand requires wall mounting. Please refer to the dedicated assembly manual included in your package for detailed, step-by-step instructions and diagrams. Below are general guidelines:

1. **Prepare Your Wall:** Ensure the mounting surface is a solid wall capable of supporting the nightstand's weight and contents.
2. **Determine Mounting Height:** The floating design allows for flexible installation. Choose a height that is convenient for your bed, ensuring easy access to items on the nightstand.
3. **Mark Drilling Points:** Use a level and the provided template (if any) to accurately mark the drilling points on the wall.
4. **Drill and Install Anchors:** Drill holes according to the marked points and insert appropriate wall anchors for your wall type.
5. **Attach Mounting Hardware:** Secure the mounting brackets or hardware to the wall.
6. **Mount the Nightstand:** Carefully align and attach the nightstand to the installed wall hardware. Ensure it is securely

fastened and stable before placing any items on it.



Image: Illustration of flexible installation, demonstrating how the nightstand can be positioned at different heights.

## SATISFY YOUR STORAGE NEEDS



Image: The floating design of the nightstand, highlighting its space-saving benefit by keeping the floor clear.

## OPERATING INSTRUCTIONS

---

Your WOLTU floating nightstand is designed for both functionality and versatility.

- **Drawer Usage:** The integrated drawer is equipped with high-quality metal runners, ensuring smooth opening and closing. Use it to store personal items, books, or other small essentials, keeping your bedside area tidy.
- **Multipurpose Functionality:** While primarily a nightstand, its design allows it to serve various purposes. It can function as a living room side table, a coffee table, or a sofa side table. When combined with multiple units, it can even form a floating vanity or an entryway table.



Image: The nightstand with its drawer open, demonstrating its storage capability.

## FLOATING DESIGN, SPACE SAVING

This product is for solid walls only



Image: A creative combination of multiple nightstands forming a dressing table setup.

## MAINTENANCE

---

To ensure the longevity and appearance of your WOLTU nightstand, follow these maintenance guidelines:

- **Cleaning:** The nightstand is made from 15mm thick melamine coated particle board, which is scratch and water resistant. Wipe surfaces with a soft, damp cloth. Avoid abrasive cleaners or harsh chemicals that could damage the finish.
- **Drawer Runners:** Periodically check the metal drawer runners for smooth operation. If they become stiff, a small amount of silicone-based lubricant can be applied.
- **Hardware Check:** Occasionally inspect all mounting hardware to ensure it remains tight and secure. Retighten screws if necessary.



Image: Details of the nightstand's construction, including metal slides, material quality, and invisible handles, emphasizing durability and ease of cleaning.

## TROUBLESHOOTING

- **Nightstand feels wobbly after installation:** Ensure all mounting screws are fully tightened and that the wall anchors are correctly installed for your wall type. Re-check the assembly manual for proper installation steps.
- **Drawer does not slide smoothly:** Check for any obstructions in the drawer runners. Ensure the runners are clean and free of debris. A small amount of lubricant can improve smoothness.
- **Missing parts:** If any parts are missing from the accessory kit, please contact WOLTU customer support for assistance.

