

## Moimhear 2324

# Moimhear Bunk Bed with Slide and Trundle Bed Instruction Manual

Model: 2324

## 1. INTRODUCTION

---

This manual provides detailed instructions for the assembly, operation, and maintenance of your Moimhear Bunk Bed with Windows and Four Tier Stairs. This product is designed to offer a unique and practical sleeping solution for children and parents, featuring a slide, a four-tier inclined ladder, and a pull-out trundle bed. Please read these instructions carefully before assembly and use to ensure safe and correct operation.

## 2. SAFETY INFORMATION

---

### Important Safety Warnings:

- Always supervise children when using the slide and ladder.
- Assemble the bed frame carefully, following the provided instructions to ensure stability.
- Be aware of sharp edges and do not exceed the weight capacity of 100 kg to prevent injuries or damage.
- Ensure all connections are securely tightened before use and check periodically.
- Do not allow children to play unsupervised on or around the bunk bed.
- Only use mattresses of the specified size to prevent entrapment.

## 3. COMPONENTS LIST

---

Before beginning assembly, verify that all parts are present and undamaged. Refer to the separate assembly guide for a detailed list of hardware and specific components. Key components include:

- Upper Bunk Bed Frame (90 x 200 cm mattress compatible)
- Lower Bunk Bed Frame (120 x 200 cm mattress compatible)
- Trundle Bed Frame (for additional sleeping space)
- Four-Tier Inclined Ladder

- Slide
- Bed Slats (13 pairs for both upper and lower beds)
- Integrated Storage Drawers (2 units)
- Safety Rails for Upper and Lower Beds
- Assembly Hardware (screws, bolts, etc.)

*Note: This product is delivered in 3 separate packages. It is normal for these packages to arrive at different times. Please wait patiently for all packages before starting assembly.*

## 4. SETUP AND ASSEMBLY

---

Assembly is required for this bunk bed. Detailed instructions and all necessary parts are included in the packaging. Please follow the step-by-step guide provided with your product for a smooth and correct assembly process.

1. **Unpack Components:** Carefully remove all parts from the packaging. Lay them out on a clean, soft surface to prevent scratches.
2. **Identify Parts:** Match all components with the parts list in the separate assembly manual.
3. **Assemble Main Frames:** Begin by assembling the main frames for the upper and lower beds according to the instructions.
4. **Install Slats:** Securely attach the bed slats to both the upper and lower bed frames.
5. **Attach Ladder and Slide:** Mount the four-tier inclined ladder and the slide to the designated positions on the bunk bed structure. Ensure all connections are tight.
6. **Assemble Trundle Bed:** If included, assemble the trundle bed frame and install its slats.
7. **Insert Drawers:** Place the storage drawers into their designated compartments under the lower bed.
8. **Final Check:** Once assembled, double-check all screws, bolts, and connections to ensure they are fully tightened and secure.

*It is recommended to have two adults for assembly.*

SIZE:CM

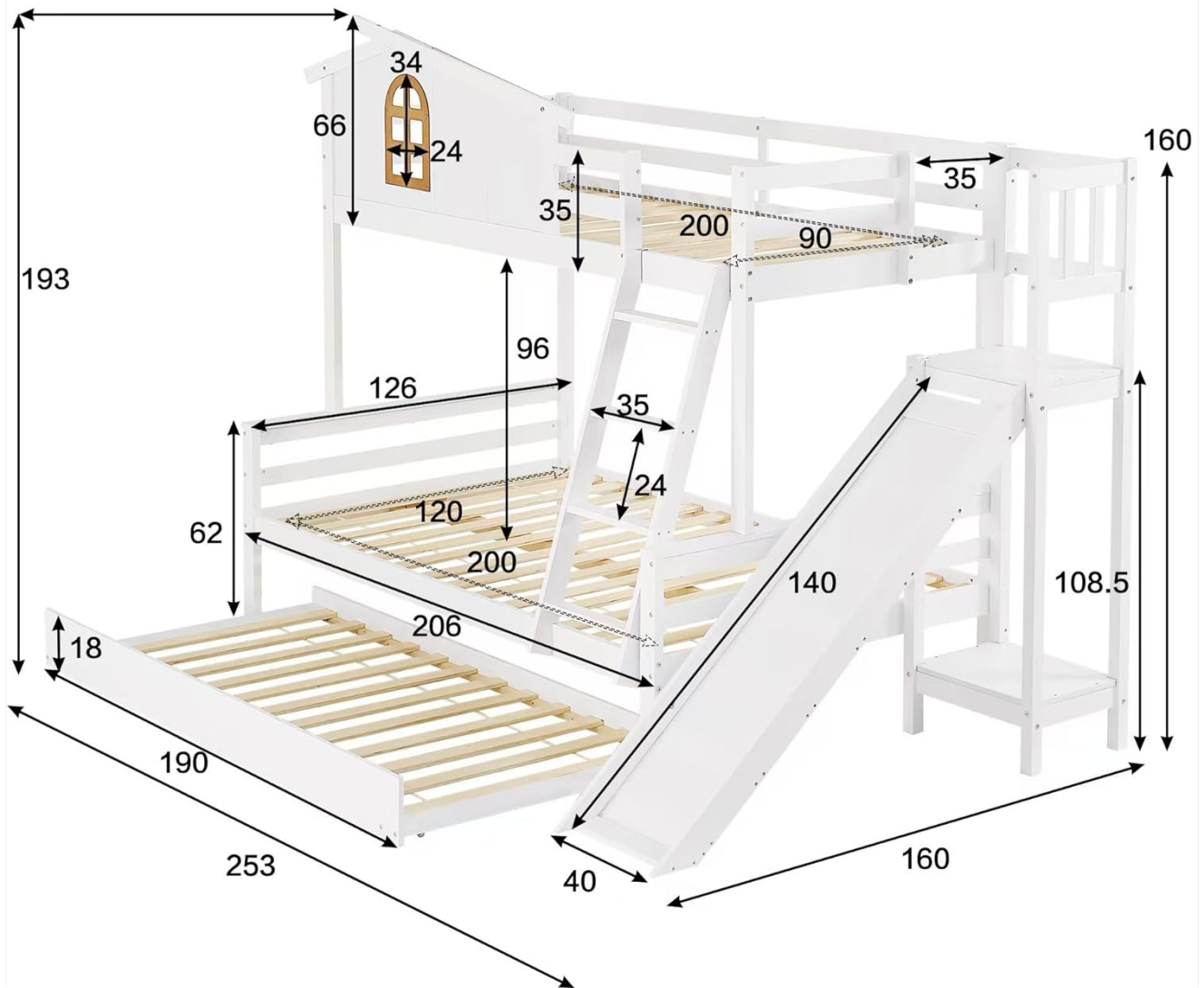


Figure 1: Fully assembled Moimhear Bunk Bed with slide and extended trundle bed.

## 5. OPERATING INSTRUCTIONS

This bunk bed is designed for ease of use and includes several features for comfort and fun.

### 5.1 Using the Bunk Beds

- **Upper Bunk:** Suitable for children. Access via the inclined ladder. Ensure safety rails are always in place.
- **Lower Bunk:** Suitable for teenagers or adults.
- **Mattress Compatibility:** The top bunk accommodates a 90 x 200 cm mattress. The lower bunk accommodates a 120 x 200 cm mattress. Mattresses are not included.

### 5.2 Using the Ladder and Slide

- **Ladder:** The four-tier inclined ladder provides safe and easy access to the upper bunk. Always use the ladder facing the bed, holding onto the side rails.
- **Slide:** The integrated slide offers an enjoyable way to descend from the upper bunk. Ensure the area around the slide exit is clear before use. Adult supervision is recommended.



Figure 2: Detail of the inclined ladder and slide for the upper bunk.

### 5.3 Using the Trundle Bed and Storage Drawers

- **Trundle Bed:** The pull-out trundle bed provides an additional sleeping surface. Gently pull the trundle bed out from under the lower bunk when needed. Push it back in when not in use to save space.
- **Storage Drawers:** Two drawers located under the lower bunk offer convenient storage for toys, bedding, or other items. Pull them out to access contents and push them back in to keep the room tidy.

## 6. MAINTENANCE

---

Regular maintenance will prolong the life and ensure the safety of your bunk bed.

- **Cleaning:** Wipe surfaces with a soft, damp cloth. Avoid harsh chemicals or abrasive cleaners that may damage the finish.
- **Hardware Check:** Periodically inspect all screws, bolts, and connections. Tighten any loose hardware to maintain

structural integrity.

- **Structural Integrity:** Check the bed frame, slats, ladder, and slide for any signs of wear, damage, or cracks. Replace damaged parts immediately.
- **Weight Capacity:** Do not exceed the maximum weight recommendation of 100 kg for either bunk.

## 7. TROUBLESHOOTING

---

If you encounter any issues with your bunk bed, refer to the following common problems and solutions:

- **Squeaking Noises:** Check all bolts and screws. Tighten any that are loose. Ensure the bed is on a level surface.
- **Wobbly Structure:** This usually indicates loose connections. Re-tighten all assembly hardware. Ensure all parts are correctly aligned as per the assembly manual.
- **Drawers Sticking:** Check for obstructions in the drawer runners. Ensure the drawers are properly aligned on their tracks.
- **Missing Parts:** If you find any parts missing upon unpacking, please contact Moimhear customer support with your purchase details.

## 8. SPECIFICATIONS

---

Detailed specifications for the Moimhear Bunk Bed Model 2324:

Feature	Specification
Overall Dimensions (L x W x H)	250 x 148 x 193 cm (98.43"L x 58.27"W x 75.98"H)
Upper Bunk Mattress Size	90 x 200 cm (Mattress not included)
Lower Bunk Mattress Size	120 x 200 cm (Mattress not included)
Maximum Weight Recommendation	100 kg (for each bunk)
Total Weight	72 kg
Material	Pine Wood, MDF (Engineered Wood)
Color	White
Included Components	Bunk Bed Frame, Ladder, Slide, Trundle Bed, 2 Storage Drawers
Assembly Required	Yes
Country of Origin	China



Figure 3: Detailed dimensions of the Moimhear Bunk Bed in centimeters.

## 9. WARRANTY AND SUPPORT

---

For warranty information or customer support, please refer to the documentation included with your purchase or contact Moimhear customer service directly. Ensure you have your model number (2324) and purchase details available when contacting support.