

[Manuals.plus](#) /

› [Wolff Mount](#) /

› Wolff Mount Robust TV Wall Mount (Model TVB-88) Instruction Manual

Wolff Mount TVB-88

Wolff Mount Robust TV Wall Mount (Model TVB-88)

Instruction Manual

1. INTRODUCTION

Thank you for choosing the Wolff Mount Robust TV Wall Mount, Model TVB-88. This mount is designed to securely hold televisions ranging from 37 to 90 inches. Constructed from robust alloy steel, it provides a stable and durable solution for wall-mounting your television. Please read this manual carefully before installation to ensure proper setup and safe operation. Keep this manual for future reference.

Safety Precautions

- Ensure the mounting surface can support the combined weight of the mount and your television. Consult a professional if unsure.
- Do not exceed the maximum weight capacity of the mount.
- Use appropriate tools and follow all installation steps precisely.
- Always have at least two people for installation, especially when lifting the television.
- Keep children and pets away from the installation area.
- Check all connections and fasteners regularly to ensure they remain secure.

2. PACKAGE CONTENTS

Verify that all components are present and undamaged before beginning installation. If any parts are missing or damaged, do not proceed with installation and contact customer support.

- Wall Plate (Main Bracket)
- TV Bracket Rails (2 pieces)
- Hardware Kit (screws, anchors, washers, spacers for various TV models and wall types)
- Integrated Bubble Level
- Instruction Manual



Image 2.1: Overview of the Wolff Mount TV Wall Mount components, including the main wall plate and two vertical TV bracket rails.

3. SETUP AND INSTALLATION

3.1 Pre-Installation Checks

- **Wall Type:** Identify your wall type (e.g., solid concrete, wood stud, brick). Different wall types require specific anchors and drilling techniques.
- **TV VESA Pattern:** Measure the horizontal and vertical distance between the mounting holes on the back of your TV. This mount supports VESA patterns within the range of 75x75mm to 600x400mm.
- **Location:** Determine the desired height and position for your TV. Ensure there are no electrical wires or plumbing behind the drilling locations.

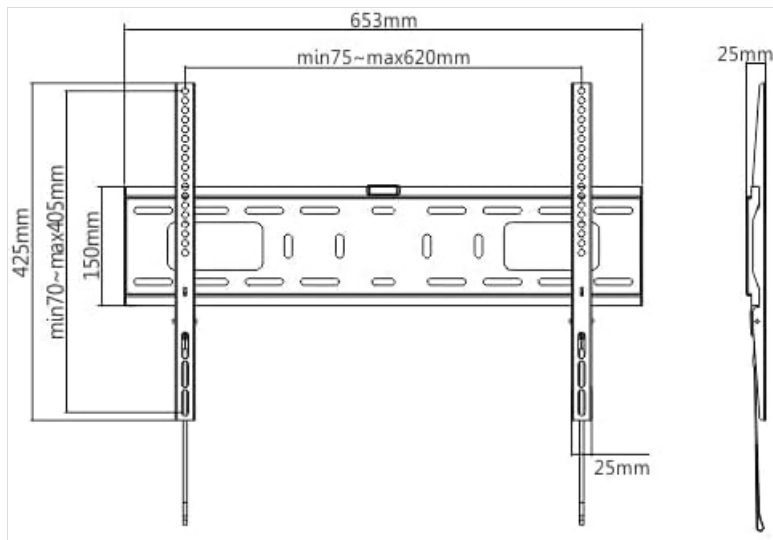


Image 3.1: Technical drawing showing the dimensions of the TV wall mount, including VESA compatibility ranges (min 75mm - max 620mm horizontal, min 70mm - max 405mm vertical) and a slim profile of 25mm.

3.2 Attaching TV Bracket Rails to the TV

1. Carefully place your TV face down on a soft, clean surface to prevent screen damage.
2. Align the two TV bracket rails with the mounting holes on the back of your TV. Ensure the hooks on the rails are pointing upwards.
3. Select the appropriate screws, washers, and spacers from the hardware kit that fit your TV's mounting holes. Use spacers if the TV back is uneven or if cables need more clearance.
4. Securely fasten the TV bracket rails to the TV using a screwdriver. Do not overtighten.

3.3 Mounting the Wall Plate to the Wall

1. Hold the wall plate against the wall at your desired mounting height. Use the integrated bubble level to ensure it is perfectly horizontal. Mark the drilling locations with a pencil.
2. Drill pilot holes at the marked locations. The drill bit size will depend on your wall type and the chosen anchors.
3. Insert the appropriate wall anchors into the pilot holes (if required for your wall type).
4. Position the wall plate over the holes and secure it to the wall using the provided lag bolts and washers. Tighten all bolts firmly, but do not overtighten to avoid damaging the wall or bolts.

3.4 Hanging the TV on the Wall Plate

1. With assistance, carefully lift the TV (with the attached bracket rails).
2. Hook the top edges of the TV bracket rails onto the top edge of the wall plate.
3. Gently lower the TV until the bottom of the TV bracket rails engage with the wall plate. Ensure both rails are securely seated.
4. Locate the safety locking screws or pull-straps at the bottom of the TV bracket rails. Secure these to prevent the TV from accidentally lifting off the mount.

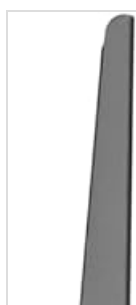




Image 3.2: Side view of the TV mounted on the wall, illustrating the slim profile of the mount against the wall.



Image 3.3: An example of a television securely mounted on a wall using a similar bracket, demonstrating the final appearance.

4. OPERATING INSTRUCTIONS

This is a fixed TV wall mount, designed for a secure and stable installation. Once installed, the TV position is fixed. There are no moving parts for adjustment after installation, ensuring maximum stability.

- **Cable Management:** After mounting, organize your TV cables using cable ties or sleeves to maintain a tidy appearance and prevent accidental disconnections.
- **Removal:** To remove the TV, first disengage the safety locking screws or pull-straps at the bottom of the TV bracket rails. Then, with assistance, carefully lift the TV off the wall plate.

5. MAINTENANCE

Regular maintenance ensures the longevity and safety of your TV wall mount.

- **Cleaning:** Wipe the mount with a soft, dry cloth to remove dust. Avoid abrasive cleaners or solvents that could damage the finish.
- **Periodic Checks:** Every 6-12 months, inspect all mounting screws and bolts to ensure they are still tight and secure. Check for any signs of wear or damage to the mount or wall.
- **Environmental Conditions:** Ensure the mount is not exposed to extreme temperatures or excessive moisture, which could compromise its structural integrity.

6. TROUBLESHOOTING

If you encounter any issues during or after installation, refer to the following common problems and solutions:

- **TV is not level:**

Solution: If the wall plate has an integrated bubble level, re-check its alignment. If the TV is slightly off, you may need to slightly adjust the wall plate's position or use shims if minor adjustments are possible with your specific wall type. Ensure all screws are tightened evenly.

- **Mount feels loose on the wall:**

Solution: Ensure all lag bolts securing the wall plate to the wall are fully tightened. Verify that the correct anchors were used for your wall type and that the pilot holes were drilled to the correct size. If the issue persists, consult a professional installer.

- **Difficulty attaching TV to the wall plate:**

Solution: Ensure the TV bracket rails are correctly oriented on the back of the TV (hooks pointing upwards). Verify that the wall plate is level. Lift the TV carefully and align the hooks with the top edge of the wall plate before lowering.

- **Missing parts:**

Solution: Do not proceed with installation. Contact Wolff Mount customer support immediately for replacement parts.

7. SPECIFICATIONS

Brand	Wolff Mount
Model	TVB-88
Compatible TV Sizes	37 - 90 inches
Mounting Type	Wall Mount
Movement Type	Fixed
Material	Alloy Steel
Color	Black
Maximum VESA Compatibility	600x400mm (Horizontal x Vertical)
Minimum VESA Compatibility	75x75mm (Horizontal x Vertical)
Wall Distance	Approximately 25mm
Batteries Required	No

8. WARRANTY INFORMATION

The Wolff Mount TVB-88 Robust TV Wall Mount comes with a **10-year warranty** against defects in materials and workmanship. This warranty covers the structural integrity of the mount under normal use and proper installation as described in this manual. It does not cover damage caused by improper installation, misuse, accidents, modifications, or natural disasters. Please retain your proof of purchase for warranty claims.

9. SUPPORT

For technical assistance, missing parts, or warranty inquiries, please contact Wolff Mount customer support.

Refer to the product packaging or the retailer's website for specific contact details.

When contacting support, please have the following information ready:

- Product Model: TVB-88
- Date of Purchase
- Description of the issue

© 2024 Wolff Mount. All rights reserved.

