



Manuals.plus /

› EVERKITCH /

› EVERKITCH Range Hood EVK213 User Manual

EVERKITCH EVK213

EVERKITCH 30-inch Under Cabinet Range Hood User Manual

Model: EVK213

1. INTRODUCTION

Thank you for choosing the EVERKITCH 30-inch Under Cabinet Range Hood. This manual provides essential information for the safe installation, operation, and maintenance of your new kitchen appliance. Please read this manual thoroughly before installation and use, and keep it for future reference.

This range hood is designed to efficiently remove smoke, grease, and cooking odors from your kitchen, ensuring a cleaner and more comfortable cooking environment. It features a powerful 900CFM dual motor system, permanent stainless steel baffle filters, and intuitive gesture and touch controls.

2. SAFETY INFORMATION

To reduce the risk of fire, electric shock, or injury, observe the following:

- Read all instructions before operating this appliance.
- Installation must be performed by a qualified installer in accordance with all applicable codes and standards.
- Always disconnect power to the range hood before servicing or cleaning.
- Do not operate any fan with a damaged cord or plug.
- Clean grease filters frequently. Grease deposits can accumulate and cause a fire.
- Never leave surface units unattended at high settings. Boil-overs cause smoking and greasy spillovers that may ignite.
- Use appropriate size cookware. Always use cookware appropriate for the size of the surface element.

3. PRODUCT OVERVIEW

The EVERKITCH EVK213 range hood combines modern design with powerful ventilation. Key components include:

- **Stainless Steel Body:** Constructed from 19-gauge (1mm) thickness stainless steel for durability and stability.
- **Baffle Filters:** Permanent, dishwasher-safe stainless steel filters for efficient grease capture.

- **Control Panel:** Digital display with gesture sensing and touch controls for fan speed, lighting, and timer functions.
- **LED Lighting:** Two dimmable LED lamps provide 3500K warm light for illuminating your cooking area.
- **Dual Motors:** Offers powerful 900CFM airflow with independent or combined motor operation.



Figure 3.1: Front view of the EVERKITCH 30-inch Under Cabinet Range Hood, showcasing its sleek stainless steel design, integrated control panel, and baffle filters.

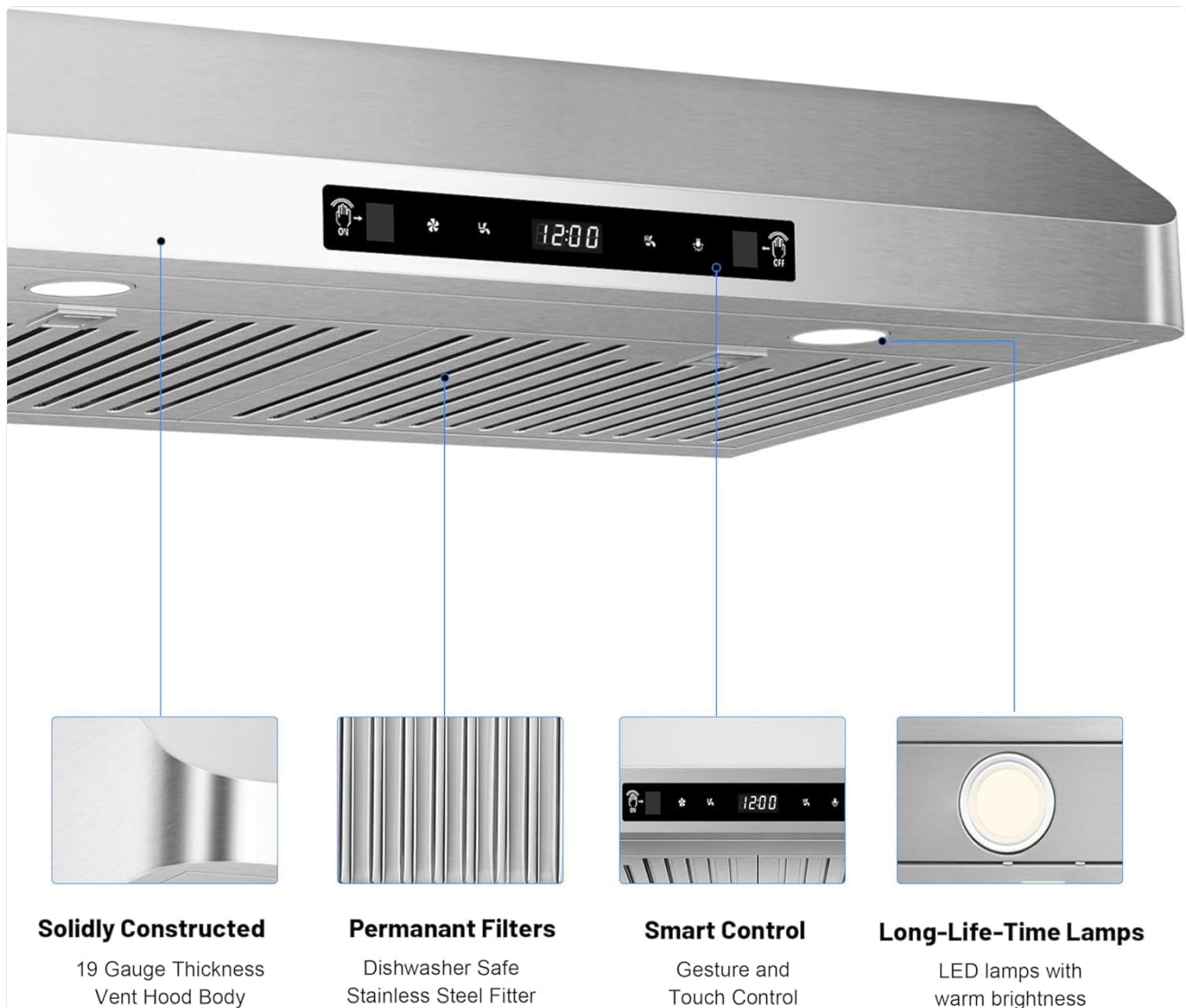


Figure 3.2: Detailed view highlighting the solid construction, permanent filters, smart gesture and touch controls, and long-life LED lamps of the range hood.

4. SETUP & INSTALLATION

The EVERKITCH EVK213 range hood is designed for under-cabinet mounting and includes all necessary components for installation. It supports both top and rear venting options.

4.1 Included Components

- Range Hood Unit
- Top & Rear Vents
- Installation Screws
- User Manual (this document)
- Mounting Template

4.2 Installation Steps (Summary)

For detailed installation instructions, refer to the included mounting template and full installation guide. Professional installation is recommended.

1. Prepare the cabinet opening according to the provided dimensions.
2. Determine the desired venting option (top or rear) and prepare the ductwork accordingly.
3. Mount the range hood securely to the underside of the cabinet using the provided screws and mounting template.
4. Connect the electrical wiring to a grounded outlet, ensuring all local electrical codes are met.
5. Install the baffle filters.

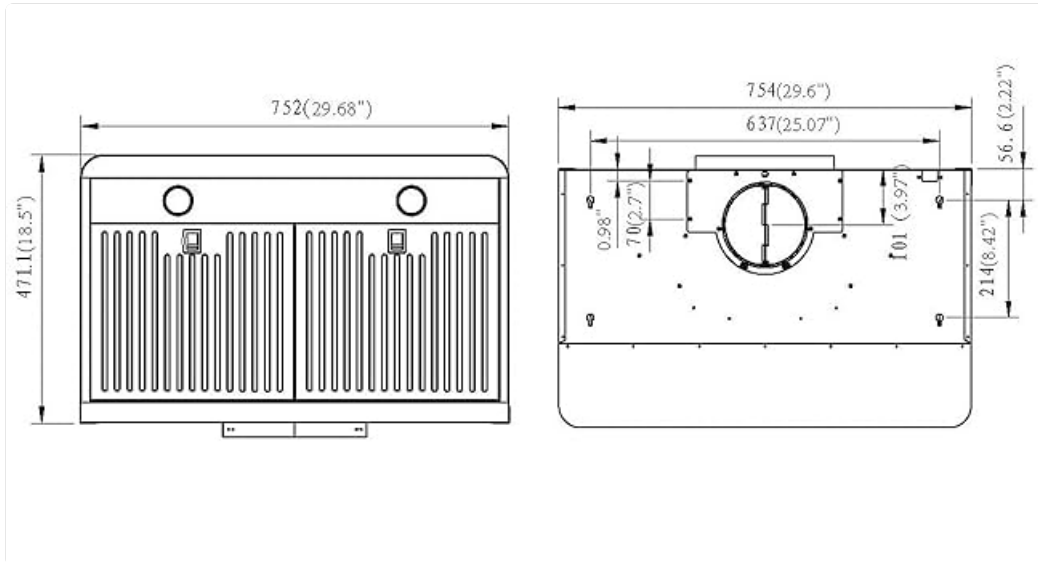


Figure 4.1: Dimensional drawing of the range hood, illustrating top and front views with measurements in inches and millimeters for installation planning.

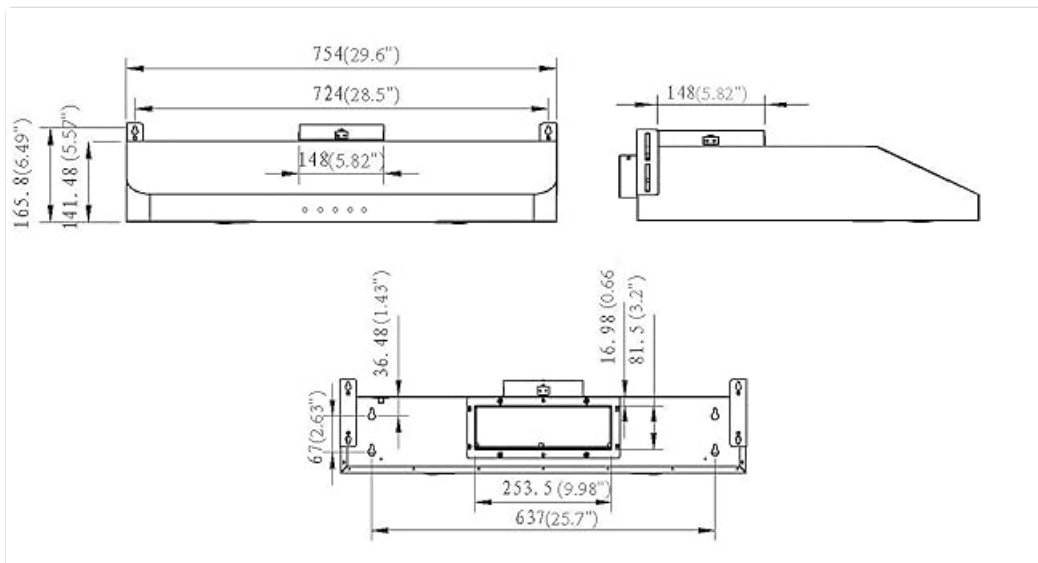


Figure 4.2: Dimensional drawing of the range hood, illustrating side and bottom views with measurements in inches and millimeters for precise fitting.

5. OPERATING INSTRUCTIONS

The EVERKITCH range hood offers versatile control options for optimal performance.

5.1 Control Panel Functions

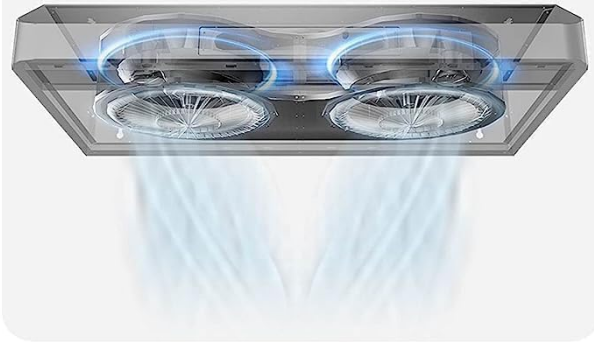
The digital control panel allows for easy adjustment of fan speeds, lighting, and other features. It supports both touch and hand-wave gesture controls.

- **Power On/Off:** Touch the power icon or use hand-wave gesture to turn the unit on or off.
- **Fan Speed Adjustment:** Cycle through 3 fan speeds using the touch controls or hand-wave gestures. The dual motors can operate together or independently, offering 9 choices of fan running combinations.
- **Light Control:** Adjust the brightness of the LED lights (2 levels) by touching the light icon. The lights provide 3500K warm illumination.
- **Timer Function:** Set a delay shut-off timer for convenience.

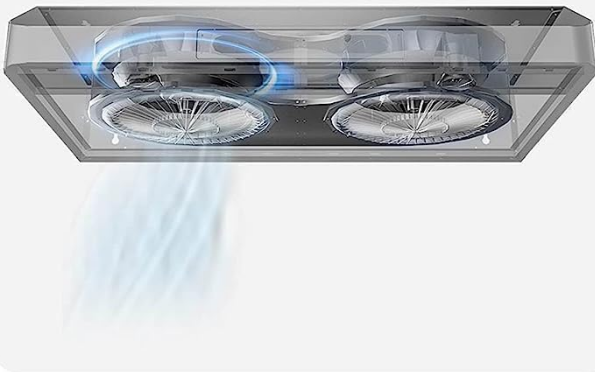
TO MEET YOUR DIFFERENT COOKING WAYS

3 Modes of Motor Operation
9 Choices of Fan Running

Two Motors Run Together in 3 Speeds



Left Motor Runs Individually in 3 Speeds



Right Motor Runs Individually in 3 Speeds



Figure 5.1: Illustration of the range hood's versatile motor operation modes, including both motors running together, or the left and right motors running individually, each with 3 speed settings.



Figure 5.2: Demonstration of the gesture control feature, allowing users to operate the range hood by waving their hand, useful when hands are dirty during cooking.

Adjustable Brightness Light

2 Levels of Brightness
3500K Warm Light



Figure 5.3: View of the range hood's adjustable brightness LED lights, providing two levels of 3500K warm illumination for the cooking area.

5.2 Product Demonstration Video

Your browser does not support the video tag.

Video 5.1: An official product video from EVERKITCH demonstrating the features and operation of the 900CFM range hood, including its powerful suction, hand-wave control, and dimmable LED lamps.

6. MAINTENANCE

Regular maintenance ensures the longevity and optimal performance of your range hood.

6.1 Cleaning the Baffle Filters

The stainless steel baffle filters are designed for easy cleaning and are dishwasher-safe.

1. Ensure the range hood is turned off and power is disconnected.
2. Locate the filter release latches and gently pull to remove the filters.
3. Place the filters in a dishwasher for thorough cleaning, or wash by hand with warm, soapy water.
4. Allow filters to dry completely before re-installing.



Figure 6.1: Visual guide demonstrating the simple process of removing the baffle filters for cleaning and their compatibility with dishwashers for easy maintenance.

6.2 Exterior Cleaning

Clean the exterior surfaces of the range hood regularly with a soft cloth and a mild, non-abrasive cleaner. Avoid using harsh chemicals or abrasive pads that could damage the stainless steel finish.

7. TROUBLESHOOTING

If you encounter issues with your range hood, refer to the following common problems and solutions:

Problem	Possible Cause	Solution
Range hood does not turn on	No power supply	Check if the power cord is securely plugged in and the circuit breaker is not tripped.
Low suction power	Clogged filters or improper ductwork	Clean the baffle filters. Check ductwork for obstructions or proper sealing.
Excessive noise or vibration	Loose components or motor issue	Ensure filters are properly installed. Check for loose screws. If noise persists, contact customer support.
Lights not working	LED lamp failure or wiring issue	Check light connections. If lamps are faulty, contact customer support for replacement.

If the problem persists after attempting these solutions, please contact EVERKITCH customer support.

8. SPECIFICATIONS

Detailed technical specifications for the EVERKITCH EVK213 Range Hood:

Specification	Value
Model Info	EVK213
Air Flow Capacity	900 CFM
Material	Stainless Steel
Noise Level	64 dB
Mounting Type	Under Cabinet Mount
Included Components	Top & rear vents, installation screws, user manual, mounting template
Controls Type	Touch, Hand Wave Control
Voltage	120 Volts
Number of Speeds	3 (per motor, dual motor system)
Item Weight	36 Pounds
Filter Type	Baffle (Stainless Steel)
Ventilation Type	Ducted
Product Dimensions	18.5"D x 29.68"W x 5.57"H
Annual Energy Consumption	214 Watts
Special Features	Timer, Auto Fan Shut-Off, Hand Wave Control, LED Lighting
Finish Type	Brushed

9. WARRANTY & SUPPORT

EVERKITCH is committed to providing high-quality products and excellent customer satisfaction.

9.1 Warranty Information

Your EVERKITCH Range Hood comes with the following warranty:

- **Motor Guarantee:** 10 years
- **Limited Parts Guarantee:** 5 years

Please retain your proof of purchase for warranty claims. The warranty covers defects in materials and workmanship under normal use.

9.2 Customer Support

For technical assistance, warranty claims, or any questions regarding your EVERKITCH range hood, please contact our customer support team. Refer to the contact information provided on the EVERKITCH official website or your purchase documentation.

