

Manuals.plus /

› HOME VISION /

› HOME VISION Full Motion Long Arm TV Wall Mount Bracket (Model HV6802) Instruction Manual

## HOME VISION HV6802

# HOME VISION Full Motion Long Arm TV Wall Mount Bracket (Model HV6802) Instruction Manual

Brand: HOME VISION | Model: HV6802

## 1. PRODUCT OVERVIEW

---

The HOME VISION Full Motion Long Arm TV Wall Mount Bracket (Model HV6802) is designed for secure and flexible mounting of large flat or curved televisions. This heavy-duty mount offers extensive adjustability to optimize your viewing experience.

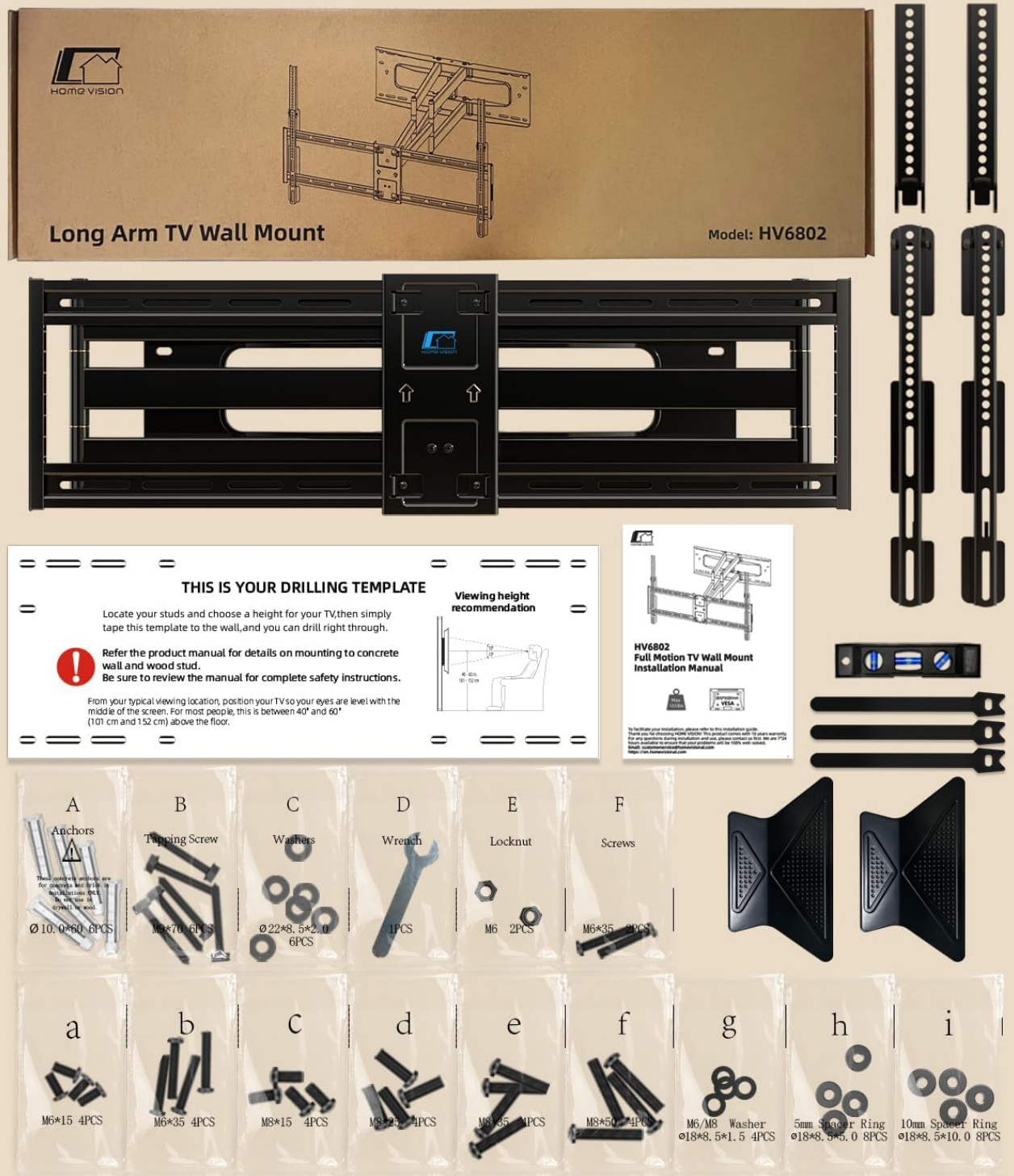
- **Universal Compatibility:** Fits most 65-100 inch flat or curved TVs weighing up to 165 lbs (75 kg). Supports VESA patterns from 200x100mm to 800x600mm.
- **Versatile Wall Installation:** Can be installed on 12, 16, 18, 20, 22, or 24 inch wood studs, concrete, or brick walls. **Note: Not suitable for drywall-only installation.**
- **Extended Reach:** The adjustable arm extends up to 30.3 inches (77 cm) from the wall and retracts to a slim 2.95 inches (7.5 cm).
- **Full Motion Flexibility:** Offers a wide range of motion including 165° swivel, 10° tilt (forward/backward), and 3° leveling adjustment.
- **Integrated Cable Management:** Features built-in clips and cable ties to keep wires organized and out of sight.

## 2. PACKAGE CONTENTS

---

Before beginning installation, please verify that all components are present and undamaged. Refer to the 'Package Contents' image for a visual guide.

# Package Contents



**Image:** Package Contents. This image displays all components included with the HOME VISION HV6802 TV wall mount, including the main wall mount assembly, TV brackets, various screws, washers, spacers, a drilling template, and a small bubble level.

The package includes the main wall mount assembly, TV attachment brackets, a drilling template, a bubble level, and various hardware (screws, washers, spacers) for different TV models and wall types.

### 3. SETUP AND INSTALLATION


**Important Safety Note:** Due to the size and weight of compatible televisions and the mount itself, it is highly recommended that **two people assist with the installation process** to ensure safety and proper alignment.

### 3.1 Pre-Installation Checks

- **TV Compatibility:** Verify your TV's screen size (65-100 inches), weight (up to 165 lbs), and VESA mounting pattern (200x100mm to 800x600mm).
- **Wall Type:** Confirm your wall is suitable for installation (wood studs, concrete, or brick). **Do NOT install on drywall alone.**
- **Tools Required:** Ensure you have a stud finder, pencil, drill, appropriate drill bits (1/4 inch for wood studs, 1/2 inch for concrete/brick), socket wrench, screwdriver, and a tape measure.


# Wide Compatibility

**Brick Wall**

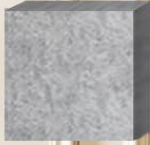


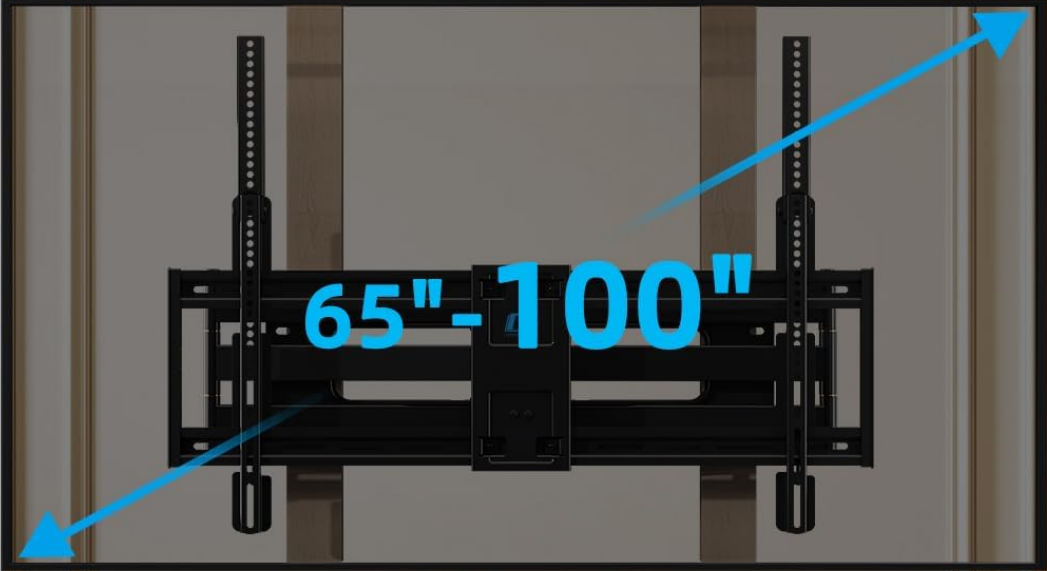
**Wood Studs**  
12"/16"/18"/20"/22"/24"

**Max 24"**



**Concrete**






**65"-100"**

**MAX**

**165 LBS (75 KG)**

**VESA Patterns**

200x100mm	400x300mm	600x400mm
200x200mm	400x400mm	600x600mm
200x300mm	500x300mm	800x400mm
300x200mm	500x400mm	800x500mm
300x300mm	600x200mm	800x600mm
400x200mm	600x300mm	

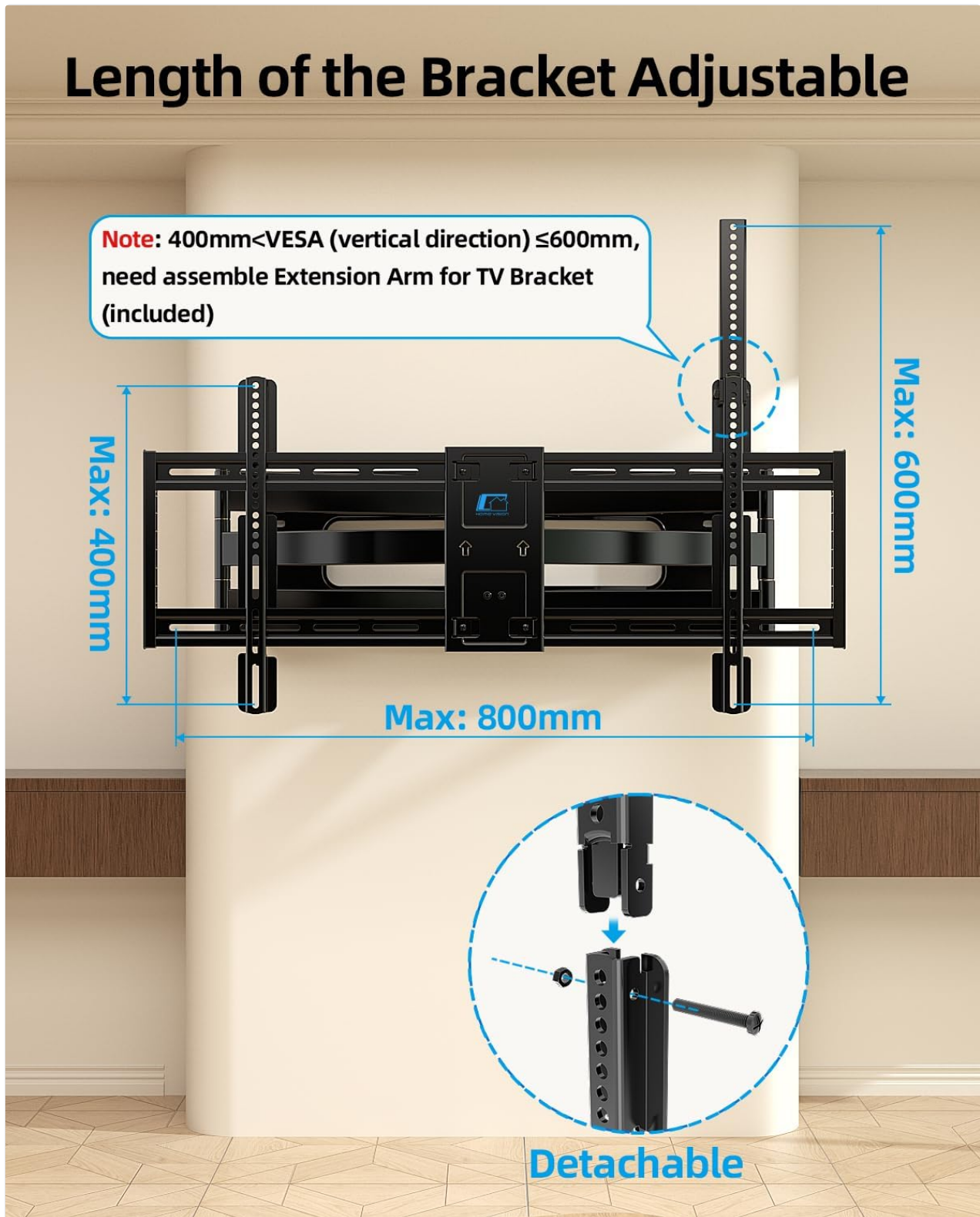


**Curved / Flat**

**Image:** Wide Compatibility. This image illustrates the various wall types (brick, wood studs, concrete) and TV specifications (size, weight, VESA patterns) compatible with the mount.

### 3.2 Attaching TV Brackets to the TV

1. Carefully place your TV face-down on a soft, clean surface to prevent scratches.
2. Select the appropriate mounting bolts, washers, and spacers for your TV's VESA mounting holes.
3. Attach the two vertical TV brackets to the back of your TV using the selected hardware. Ensure the brackets are securely fastened and oriented correctly (usually with the safety latches facing downwards).



**Image:** Adjustable Bracket Length. This image shows how the length of the TV brackets can be adjusted to accommodate different VESA patterns, including the use of an extension arm for larger vertical VESA distances.

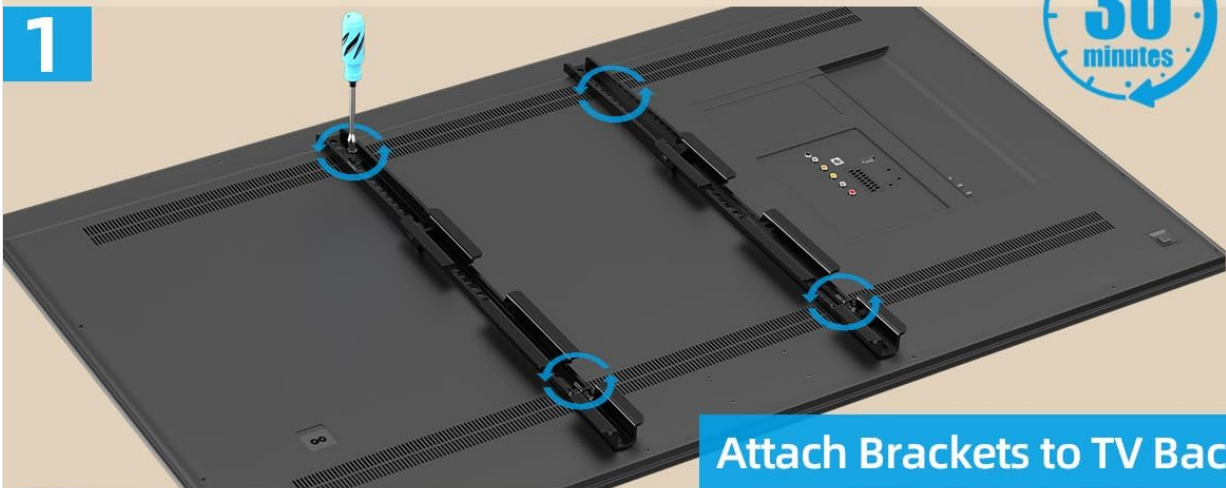
### 3.3 Mounting the Wall Plate

1. Determine the desired mounting height and position for your TV on the wall.
2. Use a stud finder to locate the center of the wood studs (if applicable).
3. Tape the provided drilling template to the wall at your desired location. Use a bubble level to ensure it is perfectly horizontal.
4. Mark the pilot hole locations through the template.
5. **For Wood Studs:** Drill pilot holes (approx. 1/4 inch diameter, 3.5 inches deep) at the marked locations.
6. **For Concrete/Brick Walls:** Drill pilot holes (approx. 1/2 inch diameter, 3.7 inches deep) at the marked locations. Insert the provided concrete anchors flush with the wall surface.
7. Position the wall mount over the drilled holes.
8. Insert the lag screws with washers through the wall mount and into the pilot holes (or anchors). Tighten them securely using a socket wrench until the mount is firmly fixed to the wall.

# Easy 3-Step Installation



1



Attach Brackets to TV Back

2

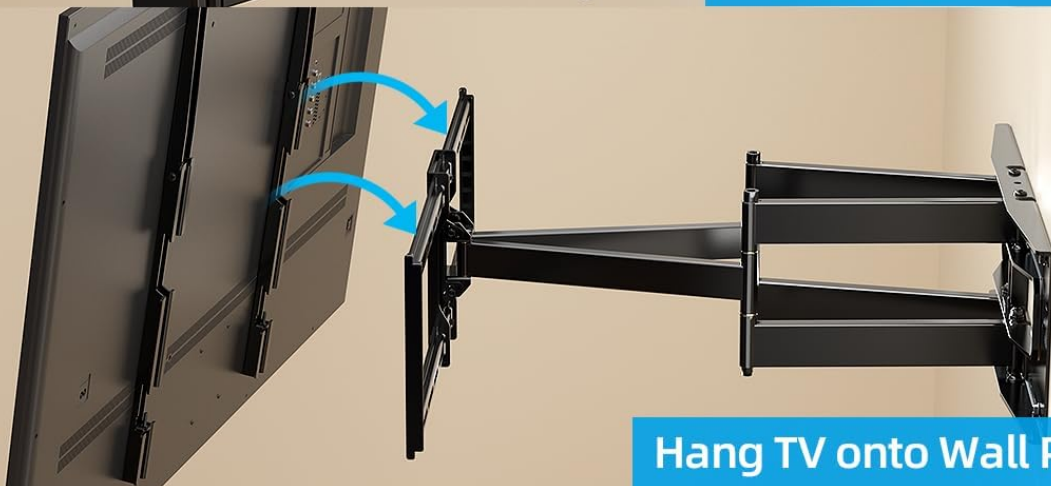


Including



Install the Wall Plate

3



Hang TV onto Wall Plate

**Image:** Easy 3-Step Installation. This image visually guides users through the three main steps: attaching brackets to the TV, installing the wall plate, and hanging the TV onto the wall plate.

## 3.4 Hanging the TV

1. With assistance, carefully lift the TV and hook the TV brackets onto the horizontal bars of the wall mount. Ensure both top and bottom hooks are securely engaged.
2. Engage the safety latches on the TV brackets by flipping them upwards. Secure them in place using the provided security screws.

Your browser does not support the video tag.

**Video:** HOME VISION Full Motion TV Wall Mount Installation Guide. This official seller video provides a visual walkthrough of

the installation process for a HOME VISION full motion TV wall mount, demonstrating key steps and features.

Your browser does not support the video tag.

**Video:** General TV Wall Mount Installation Guide. This seller video provides a general guide on how to install a TV wall mount, covering common steps and considerations for various wall types.

## 4. OPERATING INSTRUCTIONS

---

### 4.1 Adjusting TV Position

- **Extension/Retraction:** Gently pull the TV forward to extend the arm up to 30.3 inches (77 cm) or push it back towards the wall to retract it to 2.95 inches (7.5 cm).
- **Swivel:** The TV can be swiveled up to 165° left or right to achieve the optimal viewing angle from different positions in the room.
- **Tilt:** The TV can be tilted up to 10° forward or backward to reduce glare or improve viewing comfort. Loosen the tilt bolts on the TV brackets, adjust the angle, and then re-tighten the bolts.
- **Leveling:** If the TV appears unlevel after installation, loosen the leveling bolts on the wall plate (usually two bolts) slightly, adjust the TV's horizontal level by up to 3°, and then re-tighten the bolts.

# Extra-Long Arm Extension

**Extends 30.31" (77CM)**  
for perfect viewing

**-10°**  
Tilt

**Tilt +/-10°**  
to reduce glare

**Retracts 2.95" (7.5CM)**  
to save space

**+10°**  
Tilt

**Convenient cable management**

**Image:** Extra-Long Arm Extension and Tilt. This image demonstrates the mount's ability to extend up to 30.31 inches and tilt up to 10 degrees to reduce glare.

# Comfortable Viewing Angle



**Image:** Comfortable Viewing Angle with 165° Swivel. This image highlights the wide 165-degree swivel capability of the mount, allowing for flexible viewing angles.

# Level After Installation



**Image:** Level Adjustment After Installation. This image shows how to use the two leveling bolts to adjust the TV's horizontal position by +/-3 degrees after initial installation.

## 4.2 Cable Management

Utilize the integrated cable management clips along the mount arms and the provided cable ties to neatly route and secure all TV cables. This helps maintain a clean appearance and prevents cables from snagging during adjustments.

## 5. SPECIFICATIONS

---

Feature	Specification
Brand	HOME VISION
Model Number	HV6802
TV Size Compatibility	65-100 inches
Weight Capacity	Up to 165 lbs (75 kg)
VESA Compatibility	200x100mm to 800x600mm
Extension from Wall	2.95 inches (retracted) to 30.3 inches (extended)
Swivel Range	Up to 165°
Tilt Range	Up to 10° (forward/backward)
Level Adjustment	Up to 3°
Material	Alloy Steel, Metal
Color	Black
Item Weight	31.2 pounds
Package Dimensions	36 x 10.4 x 3.4 inches

## 6. MAINTENANCE

---

To ensure the longevity and safe operation of your TV wall mount, perform the following maintenance:

- **Regular Inspection:** Periodically check all screws and bolts to ensure they remain tight. Re-tighten if any looseness is detected.
- **Cleaning:** Wipe the mount with a soft, dry cloth to remove dust. Avoid using abrasive cleaners or solvents.
- **Movement Check:** Occasionally move the TV through its full range of motion (swivel, tilt, extend) to ensure smooth operation. If movement becomes stiff, check for any obstructions or loose components.

## 7. TROUBLESHOOTING

---

If you encounter any issues during or after installation, please refer to the following common troubleshooting tips:

- **TV Not Level:** Use the leveling adjustment feature as described in Section 4.1. Loosen the two leveling bolts, adjust, and re-tighten.

- **Mount Feels Loose:** Re-check all lag screws securing the wall plate to the wall and all bolts attaching the TV brackets to the TV. Ensure they are tightened securely.
- **Difficulty Adjusting Movement:** Ensure all adjustment bolts (for tilt, swivel) are slightly loosened before attempting to move the TV, and then re-tighten once the desired position is achieved.
- **Cables Snagging:** Re-route cables using the integrated cable management system and cable ties to prevent interference with the mount's moving parts.

## 8. WARRANTY AND CUSTOMER SUPPORT

---

HOME VISION offers a **10-Year after-sale service** for this product, ensuring long-lasting performance and peace of mind.

For any questions regarding installation, product selection, or any other assistance, please do not hesitate to contact HOME VISION customer support. We are committed to resolving your issues within 24 hours.

**Contact Information:** Please refer to the contact details provided in your product packaging or visit the official HOME VISION website for support.