

## Manuals+

[Q & A](#) | [Deep Search](#) | [Upload](#)

### Manuals.plus /

- › [Balay](#) /
- › Balay 3CP5002N3 Integrated Microwave Oven User Manual

## Balay 3CP5002N3

# Balay 3CP5002N3 Integrated Microwave Oven User Manual

Model: 3CP5002N3

## 1. INTRODUCTION

---

This manual provides essential information for the safe and efficient use of your Balay 3CP5002N3 integrated microwave oven. Please read these instructions carefully before installation and operation, and retain them for future reference. Proper installation, operation, and maintenance will ensure optimal performance and longevity of your appliance.

## 2. SAFETY INFORMATION

---

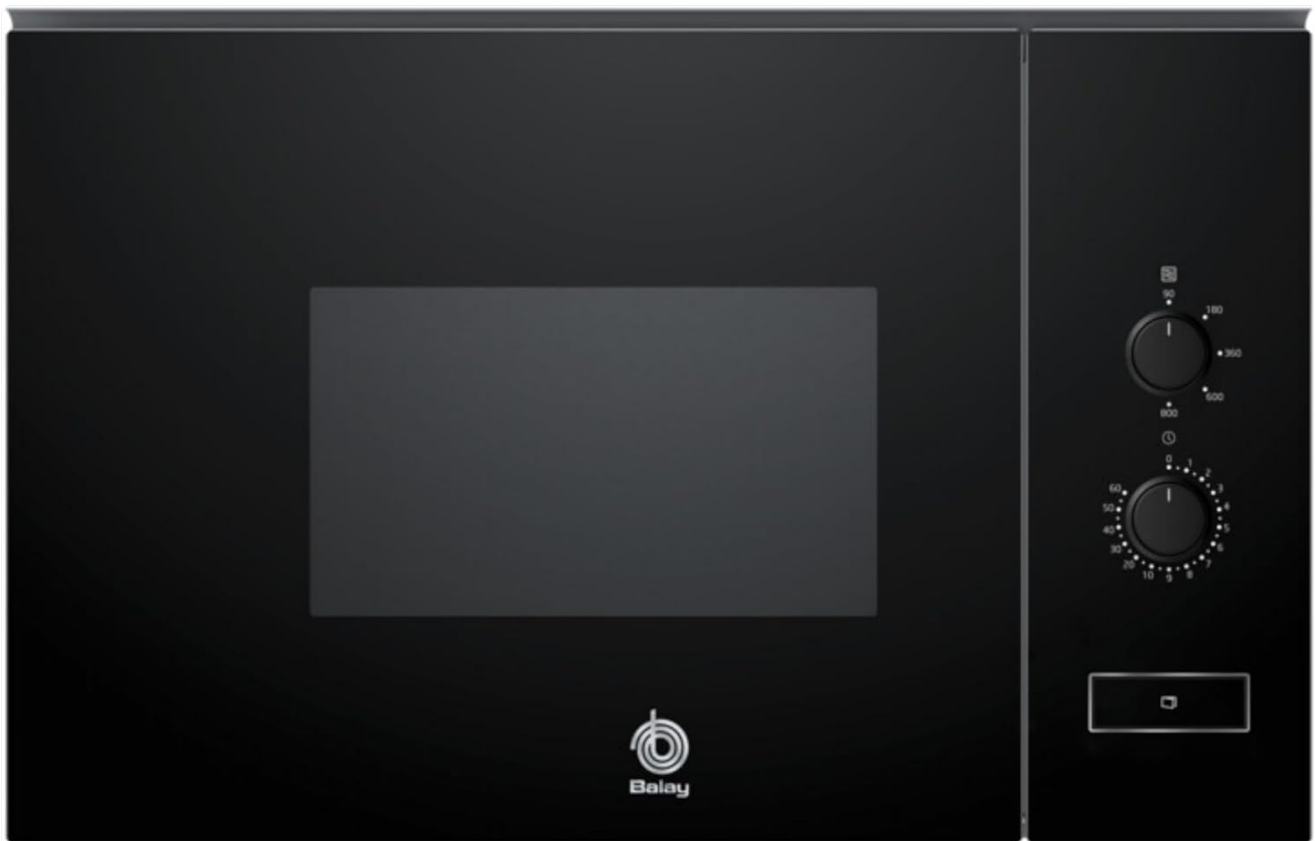
Always observe the following safety precautions to reduce the risk of fire, electric shock, personal injury, or exposure to excessive microwave energy.

- **General Safety:** This appliance is intended for household use only. Do not use it for commercial purposes.
- **Electrical Safety:** Ensure the power supply matches the rating label on the appliance. Do not operate the microwave with a damaged cord or plug.
- **Installation:** The microwave must be properly installed and grounded in accordance with the installation instructions. Ensure adequate ventilation.
- **Microwave Energy:** Do not attempt to operate this oven with the door open or if the door seals are damaged. Do not place any object between the oven front face and the door.
- **Food Preparation:** Do not heat sealed containers, as they may explode. Pierce foods with thick skins (e.g., potatoes, apples) before cooking. Eggs in their shell should not be heated in microwave ovens as they may explode.
- **Supervision:** Close supervision is necessary when the appliance is used by or near children.
- **Cleaning:** Always disconnect the appliance from the power supply before cleaning.

## 3. PRODUCT OVERVIEW

---

The Balay 3CP5002N3 is an integrated microwave oven designed for seamless integration into your kitchen cabinetry. It features a sleek black glass finish and intuitive mechanical controls.



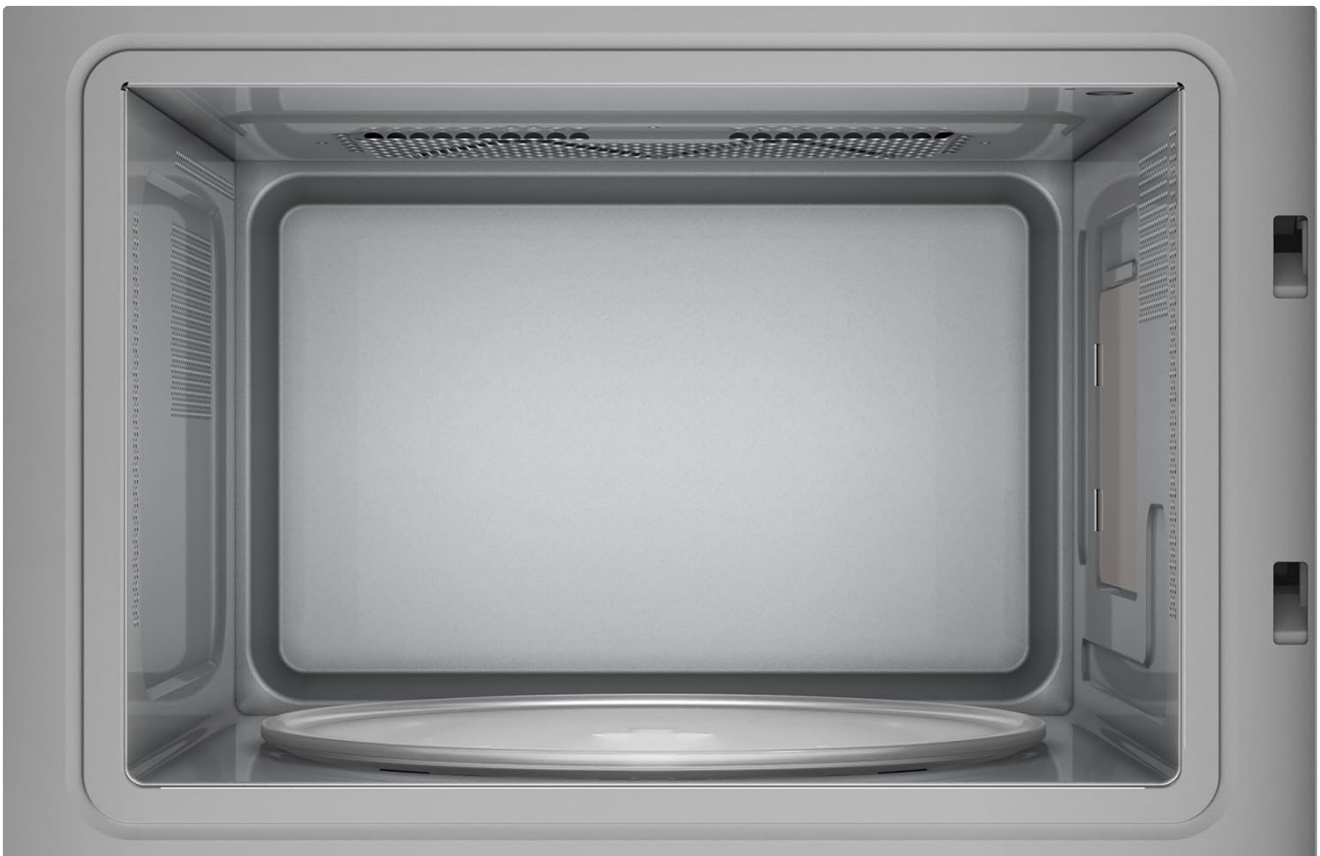
**Image 3.1:** Front view of the Balay 3CP5002N3 integrated microwave oven. This image displays the appliance's black glass door, the control panel with two rotary knobs for power and time settings, and the door release button. The Balay logo is visible at the bottom center of the door.

### Key Features:

- **Integrated Design:** Seamlessly fits into kitchen cabinets (38 cm height).
- **Capacity:** 20 liters, suitable for various cooking needs.
- **Turntable:** 25.5 cm diameter for even heating.
- **Power Levels:** 5 adjustable power settings.
- **Aqualisis Cleaning System:** Facilitates quick and easy cleaning of the interior.
- **Interior:** High-quality stainless steel interior with LED lighting.
- **Controls:** Mechanical programming with a 60-minute cooking stop timer.



**Image 3.2:** The Balay 3CP5002N3 microwave oven integrated into a modern kitchen setting. This image demonstrates how the appliance blends seamlessly with surrounding cabinetry, highlighting its sleek design and flush installation.



**Image 3.3:** Interior view of the microwave oven. This image shows the spacious stainless steel cavity and the removable glass turntable, designed for even heat distribution during cooking.

## 4. SETUP AND INSTALLATION

---

Proper installation is crucial for the safe and efficient operation of your integrated microwave oven. This appliance is designed for installation in a tall cabinet or a wall unit.

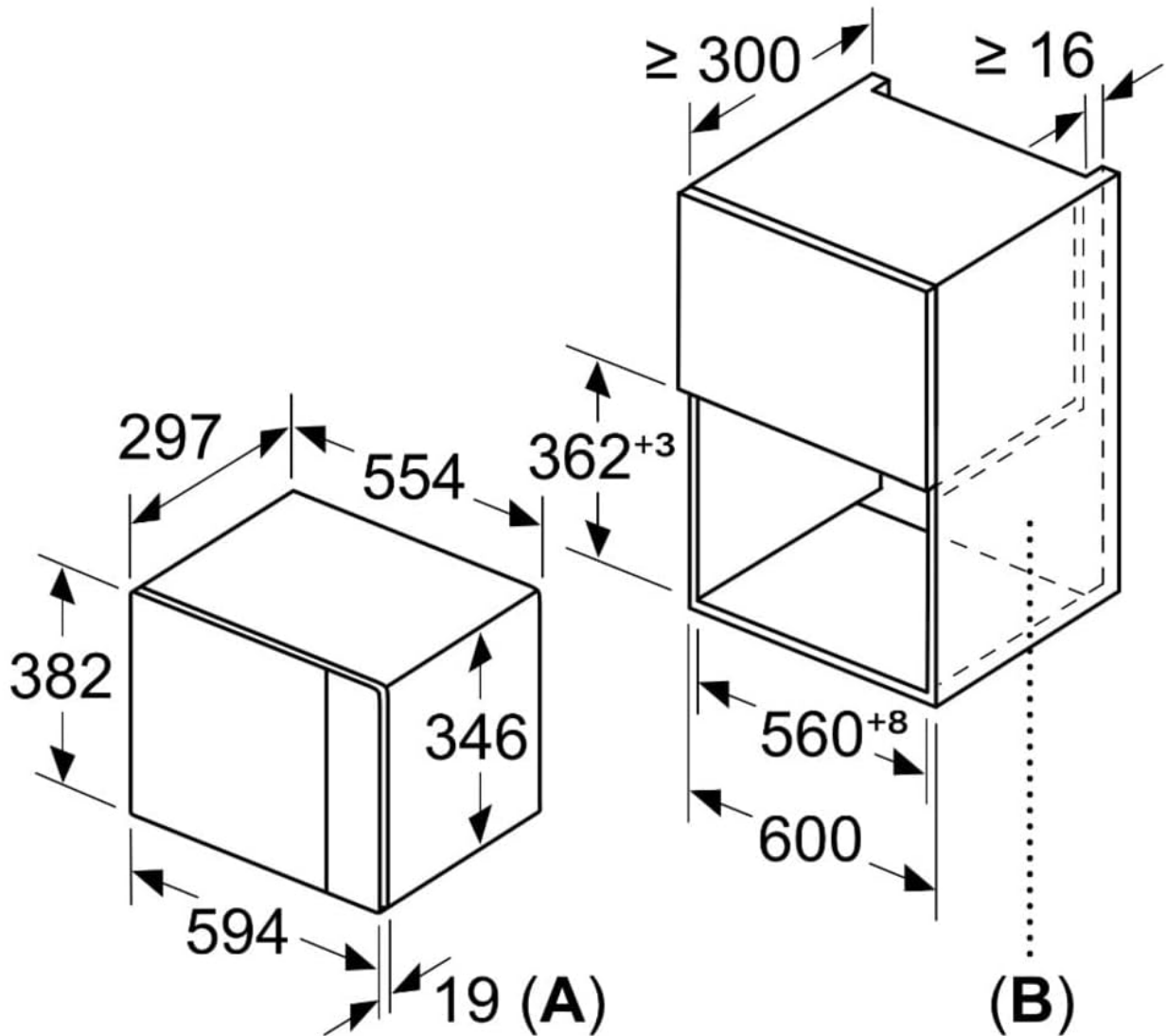
## 4.1. Unpacking

- Carefully remove all packaging materials.
- Inspect the microwave for any damage. Do not install if damaged.
- Ensure all components are present, including the turntable ring.

## 4.2. Installation Dimensions

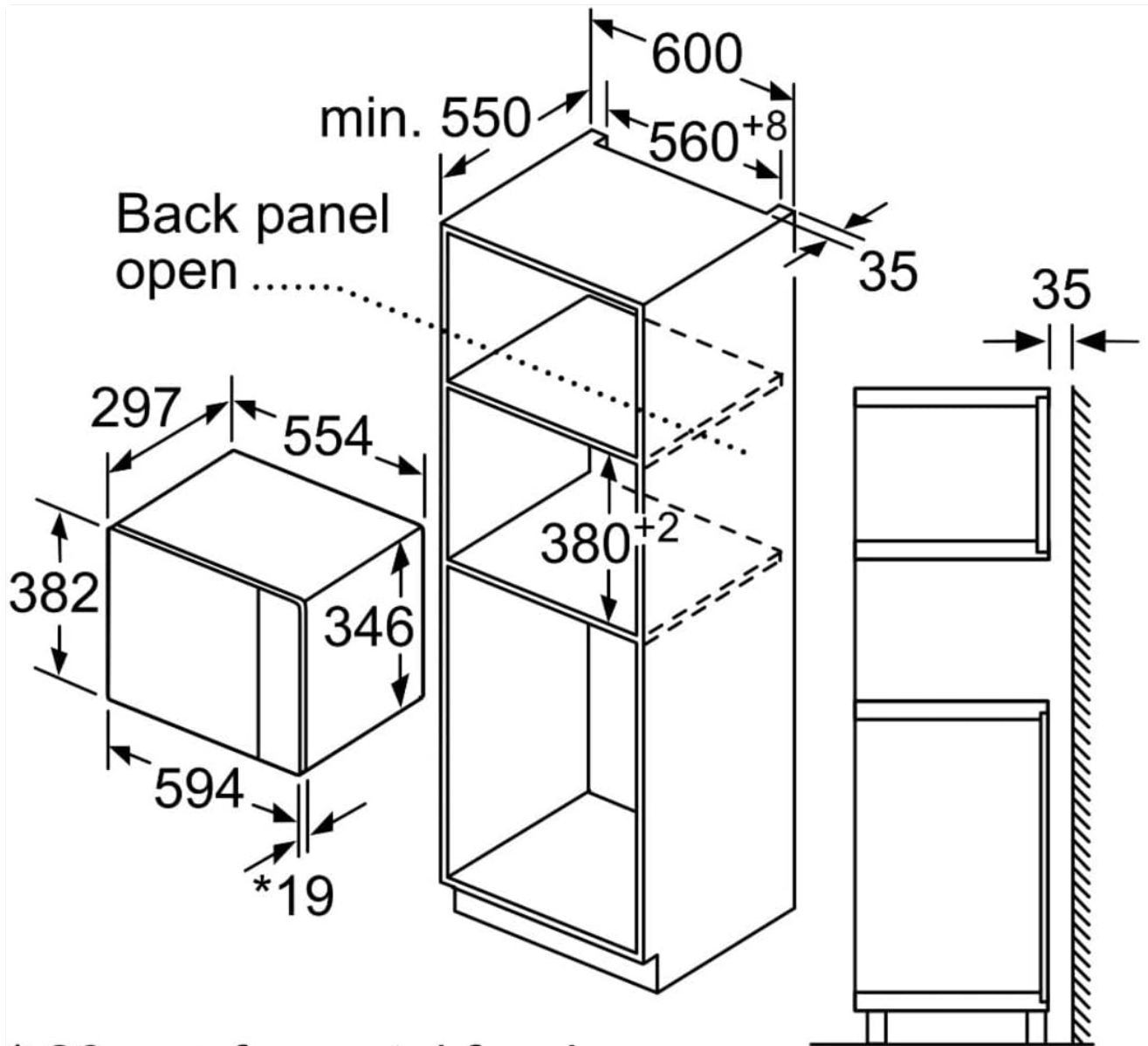
Refer to the following diagrams for precise measurements and cabinet requirements. Ensure sufficient space for ventilation.

### Measurements in mm



**A:** 20 mm for metal fascia  
**B:** Back panel open

**Image 4.1:** Detailed installation measurements. This diagram illustrates the external dimensions of the microwave (382mm height, 594mm width, 297mm depth excluding fascia, 346mm depth including fascia) and the required cabinet opening dimensions (minimum 560mm width, 362mm height, minimum 300mm depth). It also indicates a 20mm allowance for the metal fascia (A) and an open back panel (B) for ventilation.

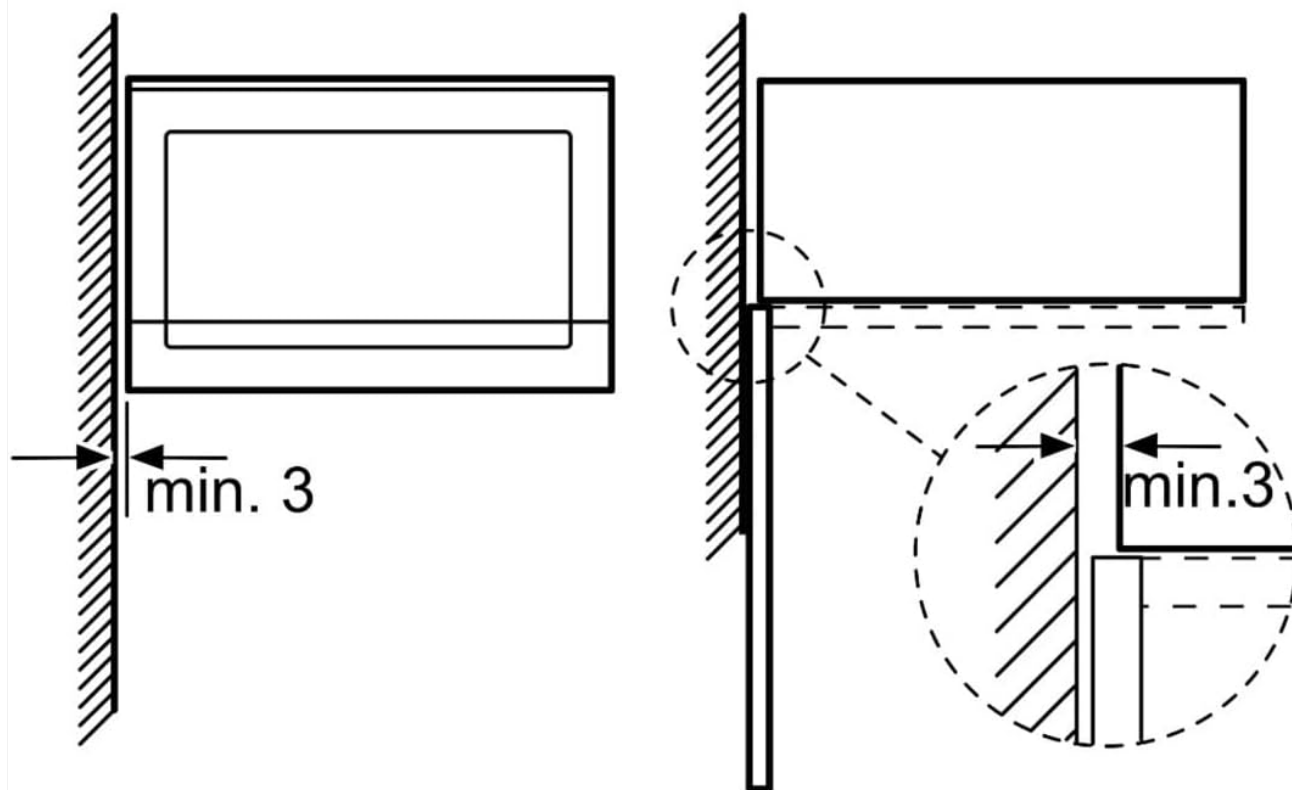


\* 20 mm for metal fascia

measurements in mm

**Image 4.2:** Installation diagram for a tall cabinet or wall unit. This image provides a visual guide for integrating the microwave into kitchen furniture, showing the appliance's dimensions and the necessary clearances within the cabinet for proper fit and ventilation. It specifies a minimum cabinet width of 550mm and a minimum depth of 560mm, with a required opening height of 380mm.

# Microwave, corner installation



## Measurements in mm

**Image 4.3:** Corner installation diagram. This diagram shows the minimum clearance of 3mm required between the microwave door and an adjacent wall or cabinet when installed in a corner configuration, ensuring the door can open fully.

### 4.3. Electrical Connection

- Ensure the appliance is properly grounded.
- Connect to a dedicated circuit if possible.
- Do not use extension cords or adapters.

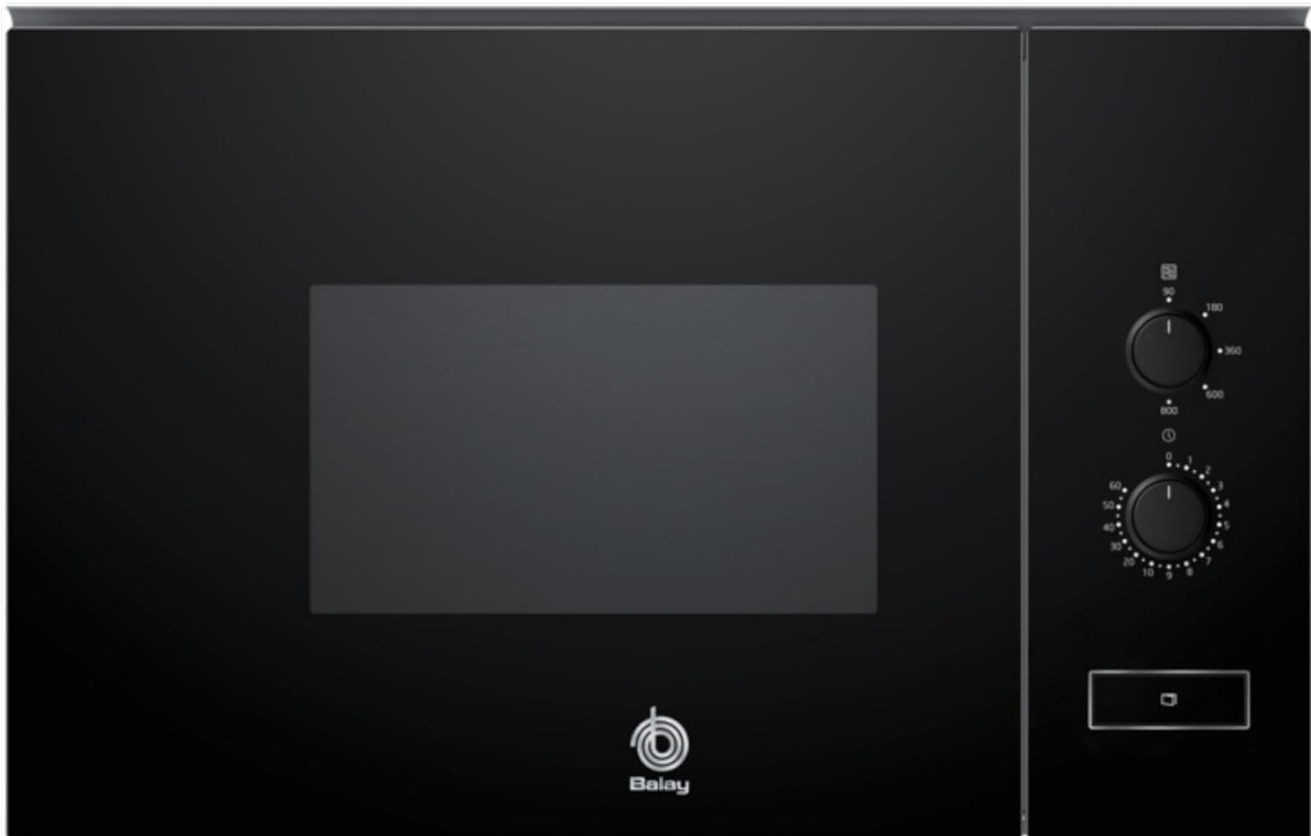
### 4.4. Turntable Installation

- Place the turntable ring in the center of the microwave cavity.
- Position the glass turntable plate securely on top of the ring.
- Ensure the turntable rotates freely.

## 5. OPERATING INSTRUCTIONS

---

Your Balay microwave oven is designed for simple and efficient operation. Familiarize yourself with the control panel before use.



**Image 5.1:** Control panel of the Balay 3CP5002N3 microwave. The panel features two rotary knobs: one for selecting microwave power levels (e.g., 180W, 360W, 600W, 800W) and another for setting the cooking time up to 60 minutes. A push-button for door release is located below the knobs.

### 5.1. Setting Microwave Power

1. Place food in a microwave-safe container on the turntable.
2. Close the microwave door securely.
3. Rotate the upper knob to select the desired power level (e.g., 180W for defrosting, 800W for rapid heating). The microwave offers 5 power settings.

### 5.2. Setting Cooking Time

1. After selecting the power level, rotate the lower knob to set the cooking time. The mechanical timer allows settings up to 60 minutes.
2. The microwave will start automatically once the timer is set.
3. The oven will stop automatically when the set time has elapsed, indicated by an audible signal.

### 5.3. Defrosting

For defrosting, select a lower power level (e.g., 180W) and set the appropriate time. Turn food periodically to ensure even defrosting.

### 5.4. Stopping Operation

- To stop cooking before the timer finishes, open the microwave door or turn the timer knob to the "0" position.
- The microwave will pause when the door is opened and resume when closed, provided time remains on the timer.

## 6. MAINTENANCE AND CLEANING

---

Regular cleaning and maintenance will help preserve the appearance and functionality of your microwave oven.

## 6.1. Aqualisis Cleaning System

The Aqualisis system uses water vapor to soften food residues, making cleaning easier.



**Image 6.1:** Aqualisis cleaning feature. This image shows the interior of the microwave with a sponge, illustrating the ease of cleaning facilitated by the Aqualisis system, which uses water to loosen food particles.

1. Pour approximately 400 ml of water into a microwave-safe container and place it in the center of the turntable.
2. Close the door and set the microwave to a high power level for 10-15 minutes.
3. After the cycle, allow the microwave to cool slightly.
4. Wipe the interior with a soft cloth or sponge. Stubborn stains will be softened and easier to remove.

## 6.2. General Cleaning

- **Exterior:** Clean the exterior surfaces with a soft, damp cloth and mild detergent. Avoid abrasive cleaners.
- **Interior:** For daily cleaning, wipe the interior with a damp cloth after each use to prevent food buildup.
- **Turntable and Ring:** The glass turntable and turntable ring can be removed and washed in warm soapy water or in a dishwasher.
- **Door Seals:** Keep the door seals clean to ensure proper closure and efficient operation.

## 7. TROUBLESHOOTING

---

If you encounter problems with your microwave oven, consult the following table before contacting customer service.

Problem	Possible Cause	Solution
Microwave does not start.	Power cord not plugged in; door not closed properly; fuse blown or circuit breaker tripped.	Ensure power cord is securely plugged in. Close the door firmly. Check household fuse/circuit breaker.
Food is not heating.	Incorrect power level or cooking time set; microwave-safe dish not used.	Adjust power level and cooking time. Use only microwave-safe cookware.
Turntable does not rotate.	Turntable not correctly placed; food too large or heavy; turntable motor malfunction.	Ensure turntable and ring are correctly positioned. Reduce food size/weight. If problem persists, contact service.
Unusual noise during operation.	Loose turntable components; food touching interior walls.	Check turntable and ring for proper placement. Ensure food does not obstruct rotation. Note that a cooling fan may operate for a short period after cooking, which is normal.

Problem	Possible Cause	Solution
---------	----------------	----------

## 8. SPECIFICATIONS

---

Technical specifications for the Balay 3CP5002N3 integrated microwave oven.

Feature	Detail
Brand	Balay
Model Number	3CP5002N3
Type	Integrated Microwave Oven
Color	Black
Capacity	20 Liters
Product Dimensions (H x W x D)	38.2 x 59.4 x 31.7 cm (14.3 kg)
Turntable Diameter	25.5 cm
Power Levels	5
Wattage	1270 watts
Special Features	Aqualisis Self-Cleaning, LED Interior Lighting, Stainless Steel Interior
Installation Type	Built-in (Incorporado)
Material	Glass (exterior)
Components Included	Turntable Ring

## 9. WARRANTY AND SUPPORT

---

Your Balay 3CP5002N3 microwave oven comes with a manufacturer's warranty. Please refer to the warranty card included with your purchase for specific terms and conditions, including the warranty period and coverage details.

### 9.1. Customer Support

For technical assistance, spare parts, or service requests, please contact Balay customer support. You can find contact information on the official Balay website or in the documentation provided with your appliance.

When contacting support, please have your appliance model number (3CP5002N3) and serial number ready.

