



---

[Manuals.plus](#) /

› [VINEVIDA](#) /

› VINEVIDA Scent NO. 67 Reed Diffuser (120mL) Instruction Manual

## VINEVIDA 67

# VINEVIDA Scent NO. 67 Reed Diffuser (120mL) Instruction Manual

## INTRODUCTION

---

This manual provides instructions for the proper setup, operation, and maintenance of your VINEVIDA Scent NO. 67 Reed Diffuser. Please read all instructions carefully before use to ensure optimal performance and safety.



Image: The VINEVIDA Scent NO. 67 Reed Diffuser, featuring the glass bottle and black diffuser reeds.

## SAFETY INFORMATION

---

Please observe the following safety guidelines:

- **Not for Ingestion:** Do not consume the diffuser fluid.
- **External Use Only:** Not designed for topical application on skin.
- **Surface Protection:** Always place the reed diffuser on a protective mat to prevent damage to surfaces.
- **Keep Out of Reach:** Ensure the diffuser is placed out of reach of children and pets.
- **Avoid Heat and Flames:** Keep the diffuser away from heat sources and open flames, including lit cigarettes.
- **Accidental Spillage:** In case of accidental contact with skin, dilute immediately with cold carrier oil, wipe away excess, and then rinse with warm soapy water.

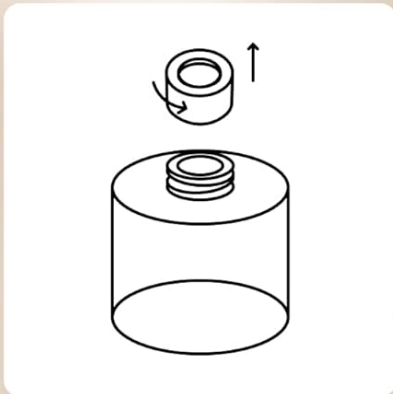
## SETUP INSTRUCTIONS

---

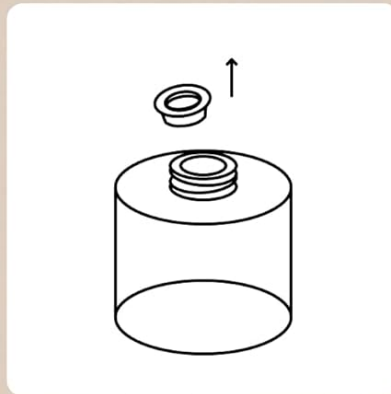
Follow these steps to set up your reed diffuser:

1. **Prepare the Bottle:** Twist off the bottle cap and remove the inner plug from the diffuser bottle.
2. **Add Diffuser Oil:** Carefully pour the diffuser oil into the glass bottle.
3. **Secure Cap:** Twist the bottle cap back onto the diffuser bottle.
4. **Insert Reeds:** Place the diffuser reeds into the bottle, ensuring they are submerged in the oil.
5. **Initial Saturation (Optional but Recommended):** For best results, pre-soak the reeds in the fluid by pouring some into a suitable container and laying the reeds horizontally in the solution for an hour. Carefully pour any excess solution back into the bottle using a funnel. Wear gloves during this process.
6. **Placement:** Position the reed diffuser in an area with good airflow. Always place it on a protective mat to safeguard surfaces. Keep it away from children, pets, and heat sources.

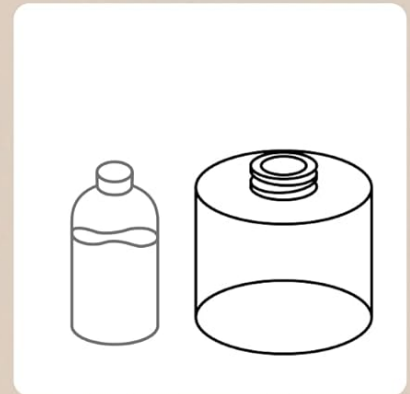
## HOW TO USE



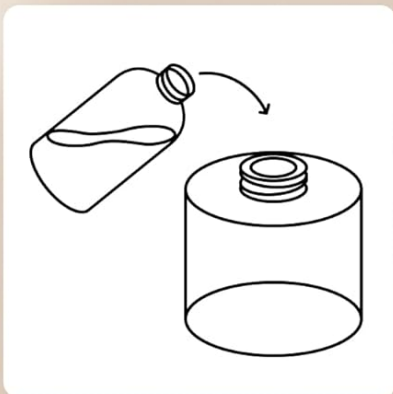
Twist off the bottle cap



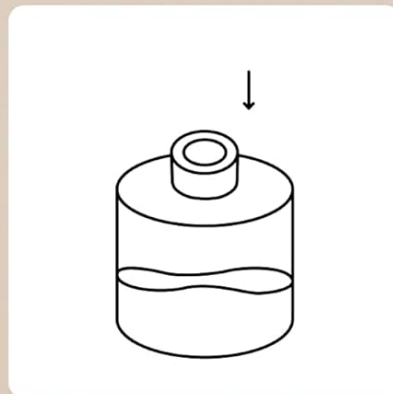
Remove the plug



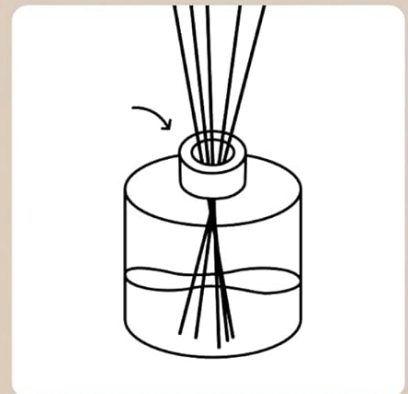
Repeat the same with the oil bottle



Add diffuser oil to the bottle



Twist on the bottle cap



Put the reeds into the diffuser bottle

Image: Step-by-step diagram illustrating how to set up the VINEVIDA Reed Diffuser.

To maintain and adjust the fragrance level:

- **Maintain Fragrance:** Flip the reeds regularly (e.g., once a week) to refresh the scent. Always wear gloves and protect surfaces when flipping reeds.
- **Adjust Aroma Concentration:**
  - For a **lighter scent**, use fewer reeds.
  - For a **moderate scent**, use a standard number of reeds.
  - For a **stronger scent**, use more reeds.



Image: Visual guide on adjusting aroma concentration by varying the number of reeds.

## MAINTENANCE

Proper maintenance ensures the longevity and effectiveness of your reed diffuser:

- **Reed Replacement:** Over time, reeds may become saturated and less effective. Replace reeds every 1-3 months, or when you notice a decrease in fragrance diffusion.

- **Dusting:** Periodically wipe the diffuser bottle with a soft, dry cloth to remove dust.
- **Refilling:** When the oil level is low, refill the bottle with VINEVIDA diffuser oil. Clean the bottle thoroughly before refilling with a different scent.

## TROUBLESHOOTING

---

If you encounter issues with your reed diffuser, consider the following:

- **Weak Scent:**
  - Ensure reeds are fully saturated; flip them to expose saturated ends.
  - Add more reeds for a stronger scent.
  - Consider if the reeds are old and need replacement.
  - Check if the diffuser is in an area with too much airflow, which can dissipate scent quickly.
- **Oil Level Decreasing Too Quickly:**
  - Reduce the number of reeds to slow down diffusion.
  - Ensure the diffuser is not in direct sunlight or near a heat source, which can accelerate evaporation.

## SPECIFICATIONS

---

<b>Brand</b>	VINEVIDA
<b>Model Name</b>	NO. 67 Reed Diffuser
<b>Model Number</b>	67
<b>Scent</b>	Spa Retreat
<b>Capacity</b>	120 Milliliters (4oz)
<b>Dimensions (L x W x H)</b>	9" x 2.5" x 3.5"
<b>Coverage</b>	Small to Medium Room
<b>Power Source</b>	Manual Operation
<b>Special Feature</b>	Long Lasting Aroma
<b>UPC</b>	840294822465
<b>ASIN</b>	B0DK2FD4TF

VINEVIDA

9 in

3.5 in

— 2.5 in —

Image: Dimensions of the VINEVIDA Scent NO. 67 Reed Diffuser.

## WARRANTY AND SUPPORT

For warranty information or product support, please contact VINEVIDA directly through their official website or the retailer where the product was purchased. Keep your proof of purchase for any warranty claims.

**Manufacturer:** VINEVIDA

**Website:** [VINEVIDA Store on Amazon](#)