

JIVOIT Bunk Bed

JIVOIT Twin Over Twin Bunk Bed with Storage and Hydraulic Lift Platform Bed

Instruction Manual

INTRODUCTION

This manual provides essential instructions for the assembly, operation, and maintenance of your JIVOIT Twin Over Twin Bunk Bed. Please read all instructions carefully before assembly and use to ensure safe and proper functionality. Keep this manual for future reference.

SAFETY INFORMATION

- **Maximum Weight Capacity:** The bunk bed is designed to support a maximum weight of 600 LBS. Do not exceed this limit.
- **Recommended Mattress Thickness:** Use a mattress with a maximum thickness of 6 inches for both the upper and lower beds.
- **Age Recommendation:** The upper bunk is not suitable for children under 6 years of age.
- **Guardrails:** Always use the guardrails on the upper bunk. Ensure they are properly installed and secured.
- **Ladder Safety:** Always use the ladder for entering and exiting the upper bunk. Do not use the bed as a climbing frame.
- **Ventilation:** Ensure adequate ventilation around the bed, especially if placed against a wall.
- **Regular Checks:** Periodically check all fasteners and connections to ensure they remain tight. Tighten as necessary.
- **No Horseplay:** Prohibit horseplay on or under the bed.
- **Flammable Materials:** Keep candles, open flames, and other heat sources away from the bed.

SETUP AND ASSEMBLY

Your JIVOIT Bunk Bed requires assembly. An installation manual and all necessary tools are included with your purchase. Please follow the step-by-step instructions provided in the separate assembly guide for detailed instructions.

Included Components:

- Bed Frame Components (LVL+MDF)
- Six Drawers
- Wardrobe Unit
- Storage Shelves
- Hydraulic Lift Mechanism
- Slats (14 for upper, 9 for lower)
- Assembly Hardware (screws, bolts, etc.)
- Installation Manual
- Assembly Tools

General Assembly Steps:

1. Unpack all components and verify against the parts list in the assembly manual.
2. Assemble the main bed frames (upper and lower) according to the diagrams.
3. Attach the wardrobe and storage shelf units.
4. Install the hydraulic lift mechanism and bed slats for the lower bed.
5. Assemble and insert the six drawers into their designated compartments.
6. Secure all connections and ensure the bed is stable before use.

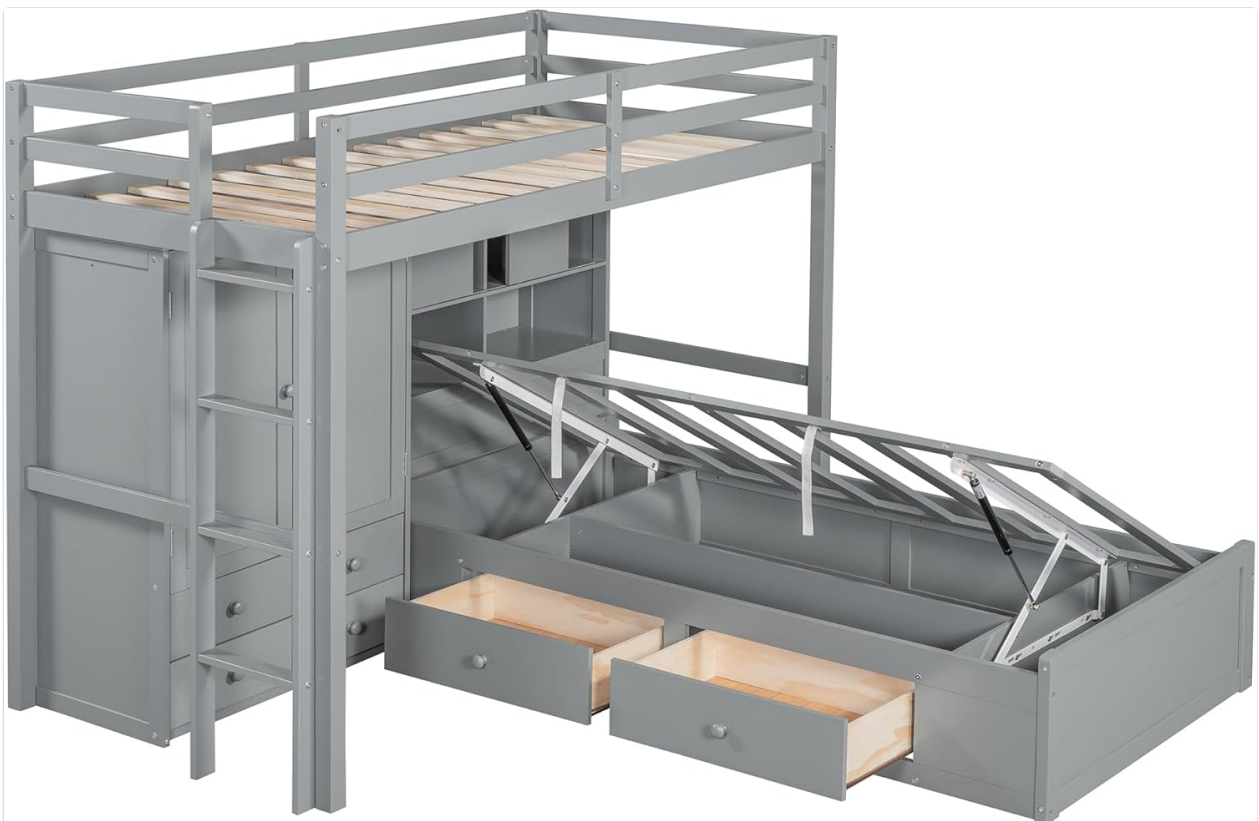


Image: Exploded view of the bunk bed showing various components and their arrangement for assembly.

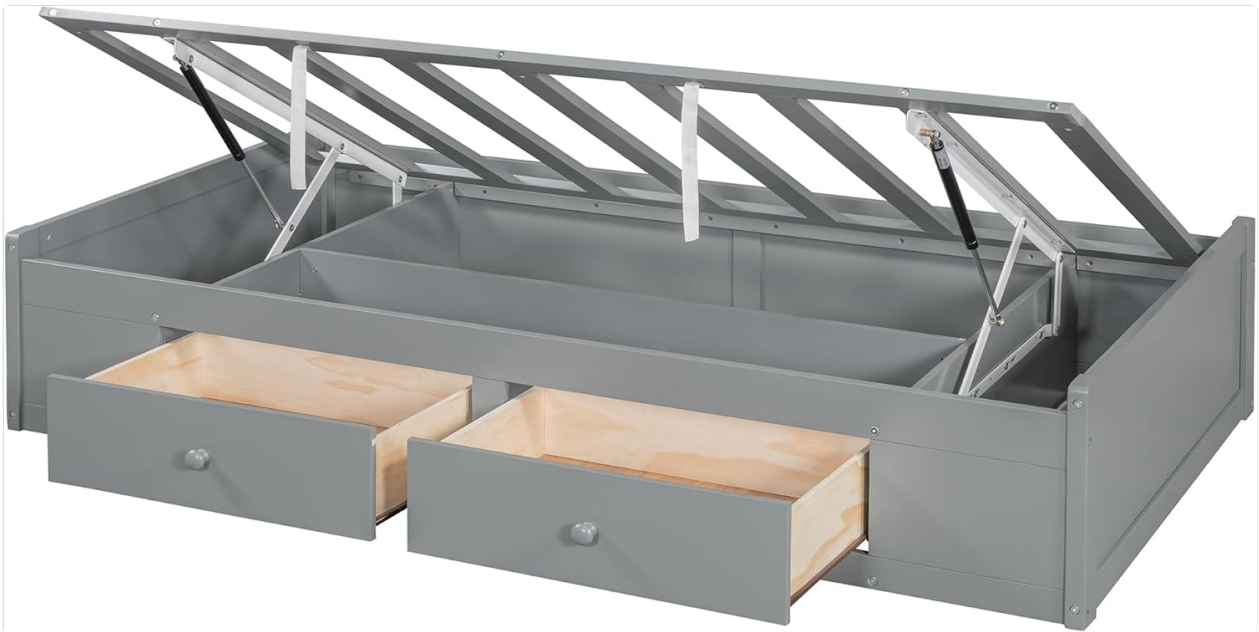


Image: A detailed perspective of the bunk bed's structural elements and ladder, illustrating the assembly process.

OPERATING INSTRUCTIONS

Using the Bunk Beds:

- **Upper Bunk:** Access the upper bunk using the integrated ladder. Ensure the mattress is properly seated within the guardrails.
- **Lower Bunk:** The lower bunk provides a comfortable sleeping area.

Utilizing Storage Features:

- **Six Deep Drawers:** Pull the knobs to open the drawers. These are suitable for storing clothing, linens, or other personal items.
- **Built-in Wardrobe:** Open the wardrobe doors to access hanging space for garments. The wardrobe also includes additional drawers for folded items.
- **Under-Bed Shelving:** Use the open shelves beneath the upper bunk for displaying books, decor, or storing frequently accessed items.

Hydraulic Lift Platform Bed:

The lower bed features an innovative hydraulic lift mechanism, allowing access to a spacious storage area beneath the mattress platform.

1. **To Open:** Remove the mattress from the lower bed. Grasp the bed frame firmly and lift upwards. The hydraulic mechanism will assist in raising the platform smoothly.
2. **To Close:** Gently push the bed frame downwards until it fully closes. Ensure no objects are obstructing the closing mechanism.

SIZE: INCH

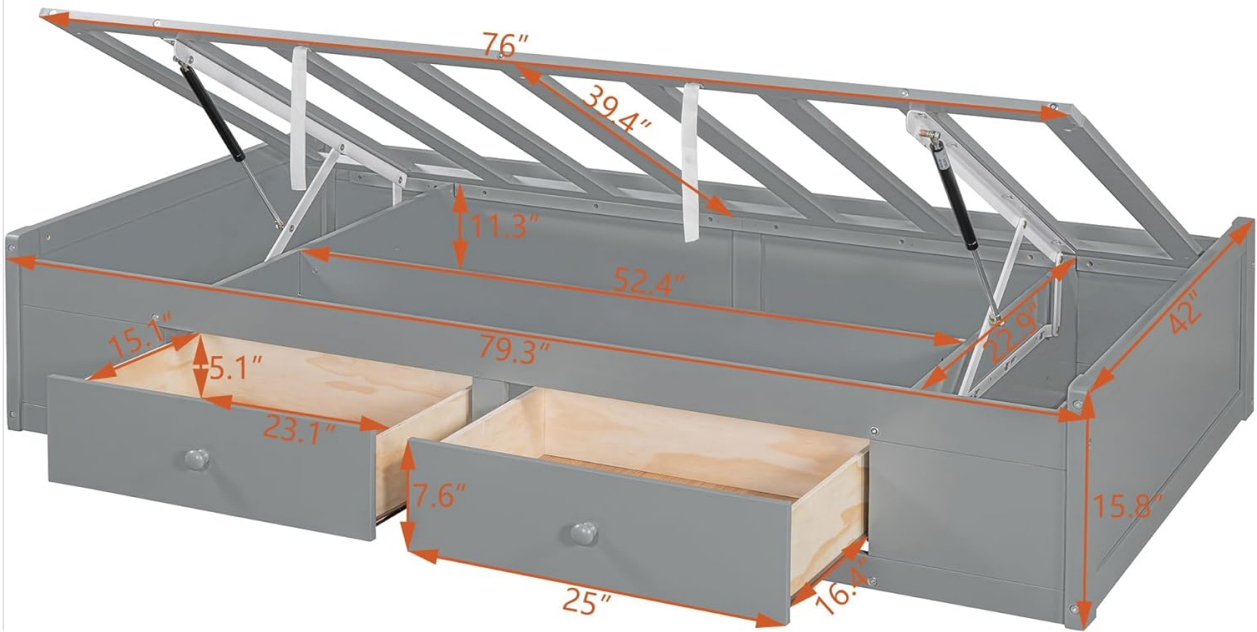


Image: The lower bed's hydraulic lift mechanism is shown in the open position, providing access to the under-bed storage compartment.



Image: A view of the bunk bed with both the storage drawers pulled out and the hydraulic lift platform raised, showcasing multiple storage options.



Image: A closer look at the hydraulic lift mechanism and the open storage drawers of the bunk bed.



Image: An alternative angle showing the hydraulic lift platform raised and the storage drawers extended on the JIVOIT bunk bed.

MAINTENANCE

- **Cleaning:** Wipe surfaces with a soft, damp cloth. Avoid harsh chemicals or abrasive cleaners that may damage the finish.
- **Fastener Checks:** Regularly inspect all bolts, screws, and connections. Tighten any loose fasteners to maintain stability and safety.
- **Hydraulic Mechanism:** Keep the hydraulic lift mechanism free from dust and debris. Do not apply excessive force when opening or closing.
- **Wood Care:** Protect the wood from direct sunlight and extreme temperature changes to prevent warping or cracking.

TROUBLESHOOTING

- **Squeaking Noises:** Check all connections and tighten any loose bolts or screws. Ensure the bed is on a level surface.
- **Drawers Sticking:** Ensure drawers are not overloaded. Check the drawer slides for any obstructions or damage. Clean the slides if necessary.
- **Hydraulic Lift Not Smooth:** Ensure the mechanism is free of obstructions. If the issue persists, contact customer support. Do not attempt to force the mechanism.
- **Wobbling:** Verify that all components are correctly assembled and all fasteners are securely tightened. Ensure the bed is placed on a flat, stable floor.

If you encounter issues not listed here or require further assistance, please contact JIVOIT customer support.

SPECIFICATIONS

Feature	Detail
Product Type	Bunk Bed
Size	Twin Over Twin
Overall Product Dimension	92.6"L x 81.6"W x 65"H
Overall Product Weight	345.49 LBS
Weight Capacity	600 LBS
Recommended Mattress Thickness	6"
Recommended Age	> 6 years old
Material	LVL+MDF
Number of Slats (Upper/Lower)	14 / 9
Assembly Required	Yes
Special Feature	No Box Spring Needed

SIZE: INCH

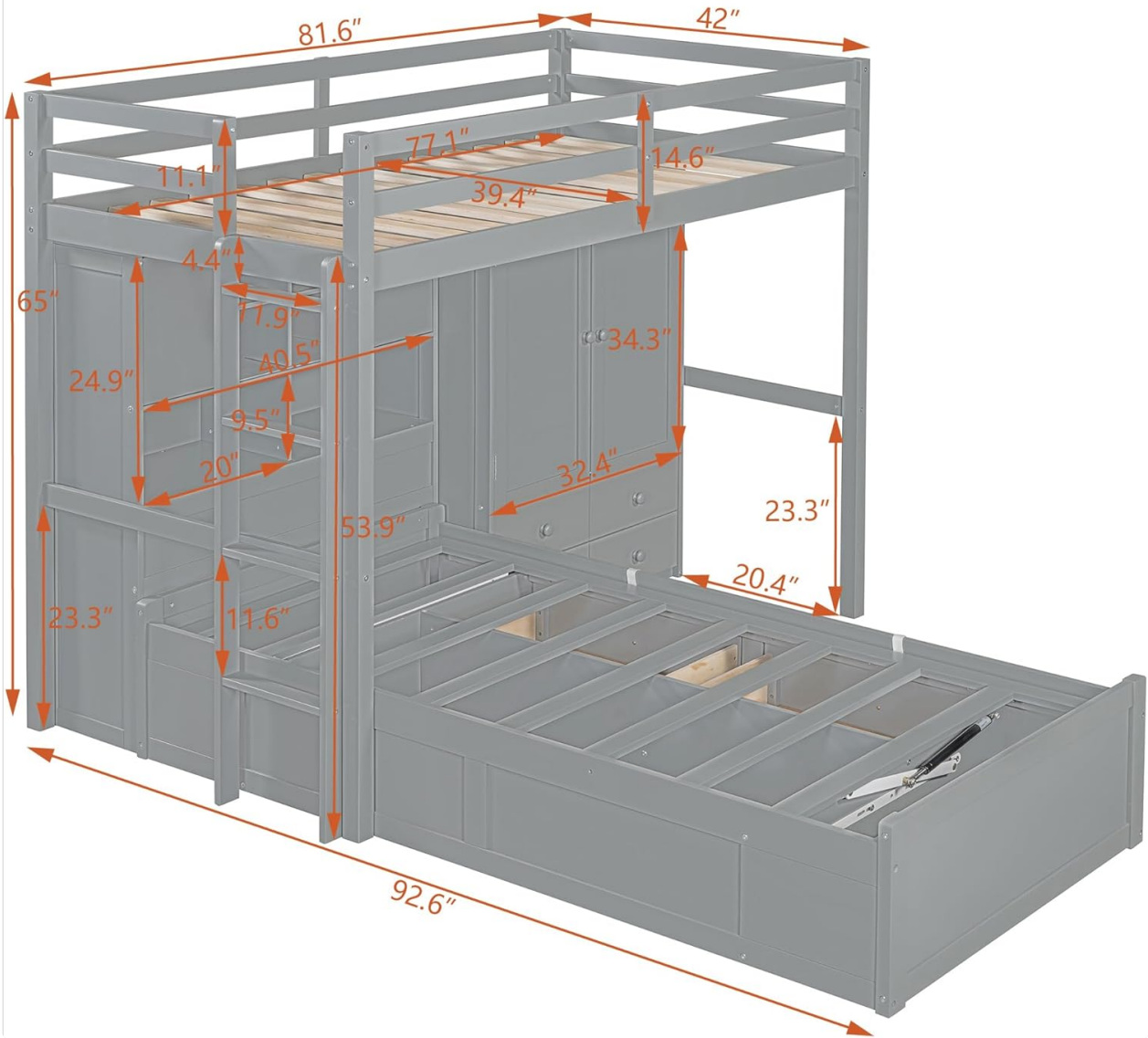


Image: A comprehensive diagram illustrating all key dimensions of the JIVOIT Twin Over Twin Bunk Bed, including height, length, and width of various sections.



Image: The JIVOIT Twin Over Twin Bunk Bed, complete with its integrated storage and hydraulic lift platform, presented in a furnished room setting.

WARRANTY AND SUPPORT

For warranty information or customer support, please refer to the documentation included with your product or contact JIVOIT directly through their official website or the retailer where the product was purchased. Please have your purchase receipt and product model number (Bunk Bed) available when contacting support.