

IDEALHOUSE FHJMIM24080802cj

IDEALHOUSE Wine Bar Rack Cabinet with LED Light Instruction Manual

Model: FHJMIM24080802cj

[Introduction](#)

[Safety Information](#)

[Package Contents](#)

[Specifications](#)

[Setup & Assembly](#)

[Operating](#)

[Instructions](#)

[Maintenance](#)

[Troubleshooting](#)

[Warranty & Support](#)

1. INTRODUCTION

Thank you for choosing the IDEALHOUSE Wine Bar Rack Cabinet with LED Light. This manual provides essential information for the safe assembly, operation, and maintenance of your new cabinet. Please read these instructions thoroughly before beginning assembly and retain them for future reference.

This versatile cabinet is designed to enhance your home, kitchen, or dining room with its stylish rustic brown finish and functional features, including a wine glass holder, detachable wine racks, and an adjustable LED lighting system.

2. SAFETY INFORMATION

Warning: This product requires assembly. Always follow the provided instructions for safe assembly. Do not attempt to assemble without proper tools and safety gear. This product is weatherproof and can be used outdoors, but proper ventilation is required when using indoors to prevent the buildup of harmful fumes.

- Ensure all parts are present and undamaged before assembly.
- Assemble on a soft, clean surface to prevent scratches.
- Do not overtighten screws during assembly.
- Keep small parts away from children.
- Place the cabinet on a level surface to prevent tipping.
- Do not exceed the maximum weight capacity of the shelves.
- When using outdoors, ensure adequate ventilation.

3. PACKAGE CONTENTS

Before assembly, verify that all components listed in the included assembly guide are present. The package typically includes:

- Cabinet panels (top, bottom, sides, back)
- Metal frame components
- Wine glass holder rack
- Detachable wine racks
- Mesh door and baffle design elements
- LED light strip and remote control
- Adjustable feet
- All necessary hardware (screws, bolts, connectors)
- Assembly tools (e.g., Allen wrench)
- Instruction manual

If any parts are missing or damaged, please contact customer support immediately.

4. PRODUCT SPECIFICATIONS

Brand	IDEALHOUSE
Model Number	FHJMIM24080802cj
Color	Rustic Brown With Led Light
Material	Engineered Wood, Metal Frame
Product Dimensions (D x W x H)	13.8"D x 27.2"W x 36.2"H
Item Weight	40 Pounds
Number of Shelves	3
Number of Drawers	1 (implied by mesh door cabinet)
Features	LED Light, Adjustable Shelves, Wine Glass Holder, Detachable Wine Racks, Mesh Door, Baffle Design, Adjustable Feet, Weatherproof
Assembly Required	Yes

PRODUCT SIZE

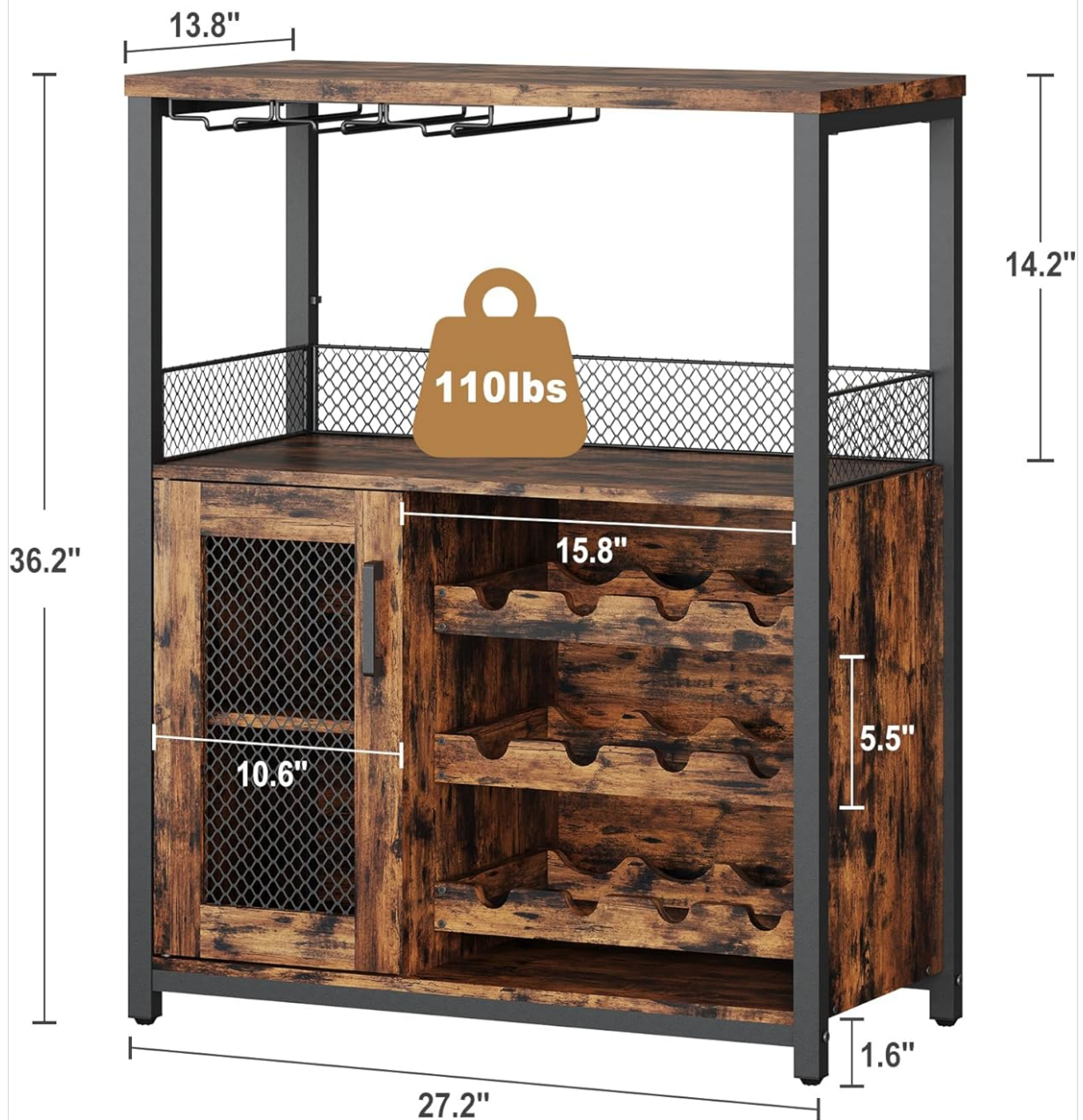


Image: Detailed product dimensions and weight capacity (110 lbs on top shelf).

5. SETUP & ASSEMBLY

Assembly of your IDEALHOUSE Wine Bar Rack Cabinet is straightforward with the provided instructions. Please follow the steps carefully.

1. **Unpack and Verify:** Carefully unpack all components and compare them against the parts list in your assembly manual.
2. **Prepare Workspace:** Clear a spacious area and lay out a soft cloth or cardboard to protect the parts and your floor.
3. **Assemble Frame:** Begin by assembling the metal frame components according to the diagrams. Ensure all connections are secure but do not fully tighten screws until the entire frame is aligned.
4. **Attach Panels:** Secure the engineered wood panels to the frame. Pay attention to the orientation of each panel.

5. **Install Wine Racks and Glass Holders:** Insert the detachable wine racks into their designated slots. The wine glass holder attaches to the underside of the top shelf.
6. **Mount Mesh Door:** Attach the mesh door using the provided hinges and handle.
7. **Install LED Lights:** Adhere the LED light strip to the desired location within the cabinet, typically along the inner top edge or shelves. Connect the power supply.
8. **Adjust Feet:** Once assembled, place the cabinet in its desired location. Adjust the leveling feet at the bottom to ensure stability on uneven surfaces.
9. **Final Tightening:** Once the cabinet is fully assembled and stable, go back and tighten all screws and bolts securely.



Image: The assembled wine bar cabinet in a home environment.

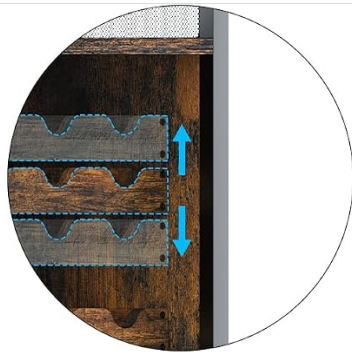


Image: The adjustable LED lighting system with remote control, showing 7 colors and 3 modes.

Different Ways Of Placing Wine Racks



Image: Demonstrates different ways to configure the wine racks for bottles and glasses.



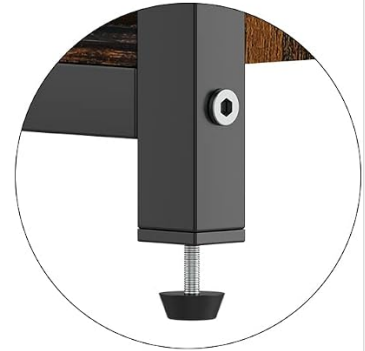
Adjustable Shelves



Baffle Design



Anti-Fall Design



Adjustable Feet



Water Proof



Exquisite Handle

Image: Close-ups of key features: adjustable shelves, baffle design, anti-fall mechanism, adjustable feet, waterproof surface, and handle.

6. OPERATING INSTRUCTIONS

6.1. Using the LED Lighting System

The cabinet features an integrated LED lighting system with a remote control for customization.

- **Power On/Off:** Press the power button on the remote control to turn the LED lights on or off.
- **Color Selection:** Use the color buttons on the remote to select from 7 available colors.
- **Mode Selection:** Choose from 3 different lighting modes (e.g., static, fade, flash) using the mode buttons.
- **Brightness Adjustment:** Adjust the brightness levels using the dedicated brightness buttons.
- **Speed Adjustment:** For dynamic modes, adjust the speed of color changes using the speed buttons.



Image: The remote control for the LED lights.

6.2. Utilizing Storage Features

- **Wine Glass Holder:** Hang wine glasses upside down in the integrated rack for convenient storage and display.
- **Detachable Wine Racks:** The wine racks can be removed or rearranged to accommodate different bottle sizes or to create open shelf space for other items.
- **Adjustable Shelves:** The internal shelves are adjustable, allowing you to customize the storage height for various bottles, glasses, or bar accessories.
- **Mesh Door Cabinet:** Use the enclosed cabinet with a mesh door for discreet storage of items.



Image: Detail of the wine glass holder.

Different Ways Of Placing Wine Racks



Image: Visual guide for flexible wine rack placement.

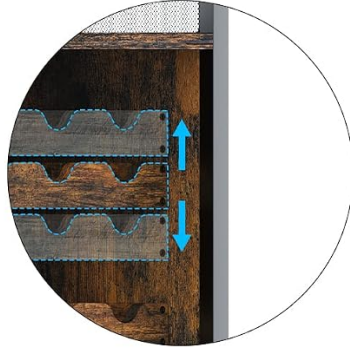
7. MAINTENANCE

Proper care and maintenance will ensure the longevity and appearance of your wine bar cabinet.

- **Cleaning:** Wipe surfaces with a soft, damp cloth. Avoid harsh chemicals or abrasive cleaners that

could damage the finish.

- **Spills:** Although the surface is waterproof, promptly wipe up any spills to prevent water damage or staining.
- **Dusting:** Regularly dust the cabinet with a dry, soft cloth.
- **LED Lights:** Ensure the LED light strip and power connections are dry and free from dust. Do not immerse in water.
- **Stability Check:** Periodically check all screws and connections to ensure they remain tight. Re-tighten if necessary.
- **Adjustable Feet:** Re-adjust the leveling feet if the cabinet becomes unstable.



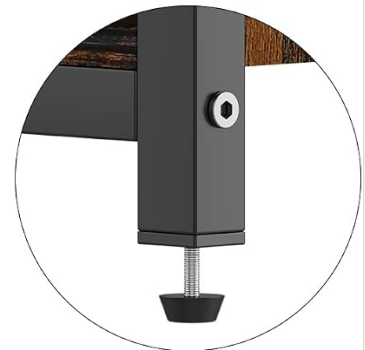
Adjustable Shelves



Baffle Design



Anti-Fall Design



Adjustable Feet



Water Proof



Exquisite Handle

Image: Demonstrates the waterproof feature of the cabinet surface.

8. TROUBLESHOOTING

Problem	Possible Cause	Solution
---------	----------------	----------

Cabinet is wobbly/unstable.	Uneven floor; loose connections.	Adjust the leveling feet at the bottom of the cabinet. Ensure all assembly screws are tightened.
LED lights not working.	Power not connected; remote battery dead; faulty light strip.	Check if the power adapter is securely plugged in. Replace the remote control battery. If issues persist, contact customer support.
Parts do not fit during assembly.	Incorrect orientation; wrong parts used.	Review the assembly instructions carefully, paying attention to part numbers and orientation. Do not force parts.
Scratches on surface after assembly.	Assembly on hard/rough surface.	Always assemble on a soft, protective surface. Minor scratches may be touched up with furniture repair markers.

9. WARRANTY & SUPPORT

IDEALHOUSE products are manufactured with quality and durability in mind. For specific warranty details, please refer to the documentation included with your purchase or visit the official IDEALHOUSE website. If you encounter any issues or have questions regarding your IDEALHOUSE Wine Bar Rack Cabinet, please contact our customer support team. Have your model number (FHJMIM24080802cj) and purchase information ready for faster service.

Customer Support: Refer to your purchase receipt or the IDEALHOUSE brand store for contact information.

Online Resources: Visit the [IDEALHOUSE Store on Amazon](#) for product information and updates.