



[Manuals.plus](#) /

› [PURPLE LEAF](#) /

› PURPLE LEAF Patio Market Umbrella Base PL245ML Instruction Manual

## PURPLE LEAF PL245ML

# PURPLE LEAF Patio Market Umbrella Base PL245ML Instruction Manual

Model: PL245ML

[Introduction](#)   [Safety Information](#)   [Package Contents](#)   [Setup](#)   [Operating](#)  
[Instructions](#)   [Maintenance](#)   [Troubleshooting](#)   [Specifications](#)   [Warranty & Support](#)

## 1. INTRODUCTION

---

Thank you for choosing the PURPLE LEAF Patio Market Umbrella Base PL245ML. This manual provides essential information for the proper assembly, operation, and maintenance of your umbrella base. Please read these instructions carefully before use and retain them for future reference.



Image 1.1: The PURPLE LEAF Patio Market Umbrella Base PL245ML, designed for stability and durability.

## 2. SAFETY INFORMATION

---

- Ensure the base is placed on a flat, stable surface to prevent tipping.
- Always fill the base with water or sand to its maximum capacity for optimal stability.
- Do not use the umbrella base with an umbrella in high winds or severe weather conditions.
- Regularly check the tightening knobs to ensure the umbrella pole is securely fastened.
- Keep children and pets away from the umbrella base during assembly and when moving.
- Do not attempt to move the base when it is filled with water or sand without using the integrated casters, if available, or proper lifting techniques.

## 3. PACKAGE CONTENTS

---

Verify that all components are present before beginning assembly:

- 1 x PURPLE LEAF Patio Market Umbrella Base (PL245ML)
- 2 x Hand-turn tightening knobs
- (Note: Water and sand are not included and must be supplied by the user.)



Image 3.1: View of the umbrella base showing the pole receiver and tightening knobs.

## 4. SETUP INSTRUCTIONS

---

### 4.1. Filling the Base

1. Place the umbrella base in its desired location before filling.
2. Locate the fill cap on the top surface of the base.
3. Open the fill cap.
4. Fill the base with either water or wet sand.

- For water: The base can hold up to approximately 82 lbs (37 kg) of water.
- For wet sand: The base can hold up to approximately 141 lbs (64 kg) of wet sand.
- For maximum stability, fill with both water and wet sand for a total weight of up to 158 lbs (71.7 kg).

5. Securely close the fill cap once the base is filled.

## Refillable Reservoir Base

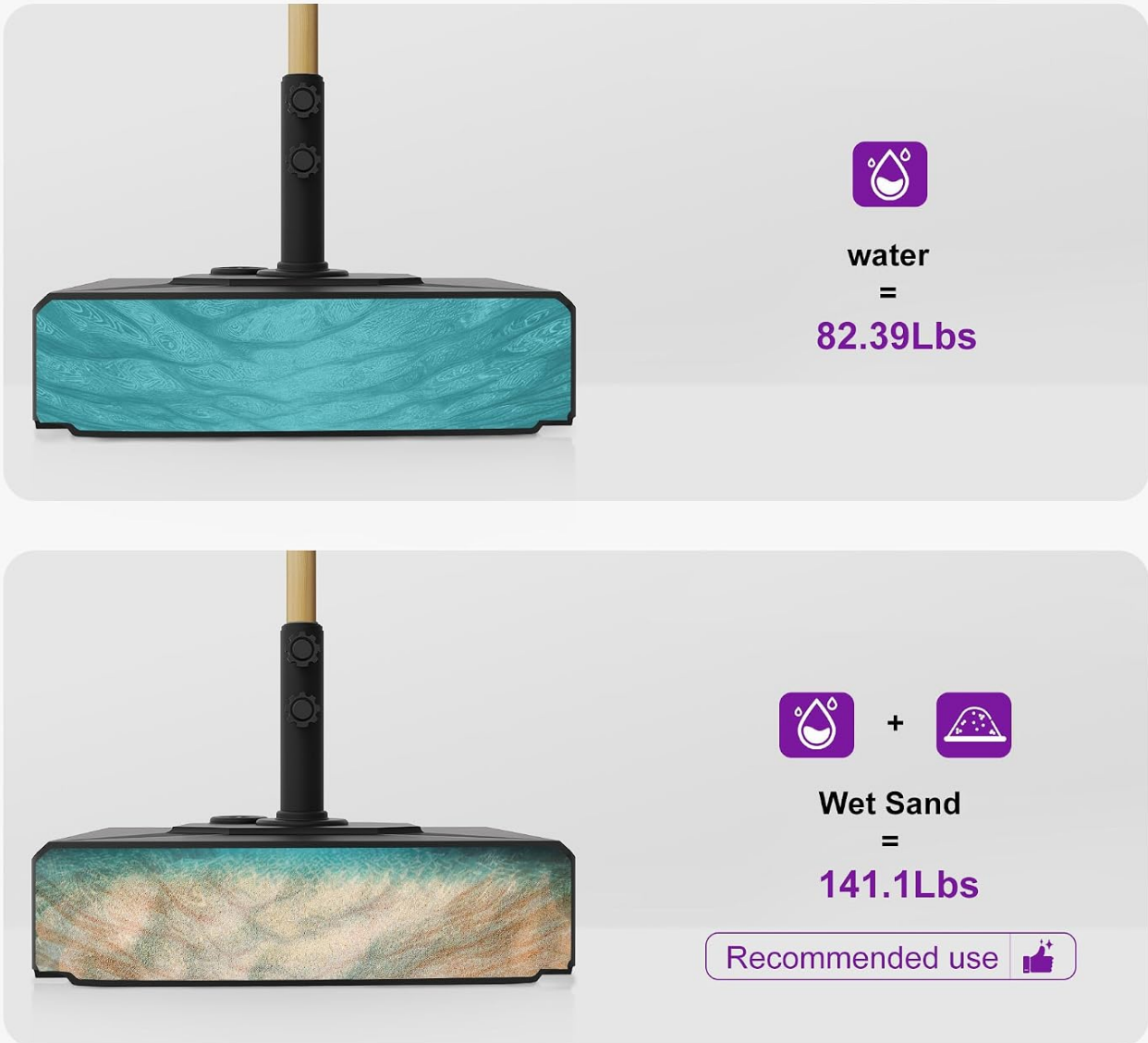


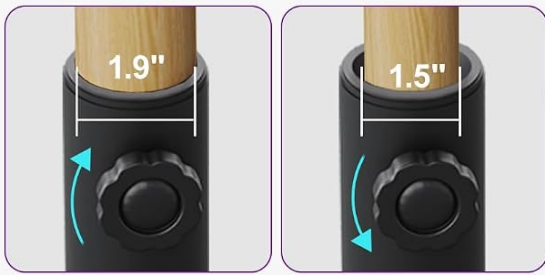
Image 4.1: Illustration showing the base filled with water (82.39 lbs) and wet sand (141.1 lbs) for stability.

### 4.2. Inserting and Securing the Umbrella Pole

1. Insert the umbrella pole into the central receiver on the base.
2. Ensure the umbrella pole diameter is between 1.5 inches and 1.9 inches for a proper fit.
3. Tighten the two hand-turn knobs located on the pole receiver. Turn them clockwise until the umbrella pole is firmly secured and does not wobble.

# Fit Market Umbrellas

This umbrella base fits most sizes of PURPLE LEAF market umbrellas



Fits 1.5"-1.9" poles

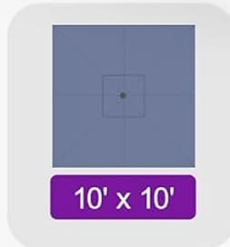
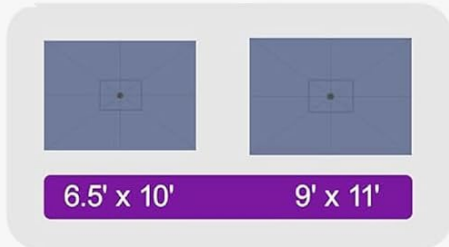


Image 4.2: Diagram illustrating the compatible pole diameters (1.5" to 1.9") and the tightening mechanism.



Video 4.1: Demonstration of filling the umbrella base with wet sand and securing an umbrella pole using the two tightening knobs.

## 5. OPERATING INSTRUCTIONS

---

### 5.1. Double Lock Design

The umbrella base features a double lock design with two hand-turn tightening knobs. These knobs work in conjunction to provide enhanced stability and securely fix the umbrella pole in place. Always ensure both knobs are tightened for maximum security.

### 5.2. Moving the Umbrella Base

The base is equipped with integrated casters (wheels) to facilitate movement. To move the base, tilt it slightly and roll it to the desired new location. Avoid dragging the base, especially when filled, to prevent damage.



Image 5.1: Close-up of the integrated casters on the umbrella base, designed for easy relocation.

## 6. MAINTENANCE

---

### 6.1. Cleaning

The umbrella base is crafted from heavy-duty plastic with a 3D design, making it easy to clean. Wipe the surface with a damp cloth and mild soap as needed. Avoid abrasive cleaners or harsh chemicals that could damage the material.

### 6.2. Material Properties

The base is made from high-density plastic, offering the following benefits:

- **Sturdy:** Provides reliable support for your umbrella.
- **UV Protective:** Resists fading and degradation from sun exposure.
- **Waterproof:** Prevents water absorption and damage.
- **Weatherproof:** Designed to withstand various outdoor conditions.



## High-Density Plastic Material

Sturdy



UV Protective



Waterproof



Easy Cleaning



Image 6.1: Visual representation of the high-density plastic material and its properties: sturdy, UV protective, waterproof, and easy to clean.

## 7. TROUBLESHOOTING

Problem	Possible Cause	Solution
Umbrella is unstable or wobbles.	Base not sufficiently filled; tightening knobs are loose; umbrella pole diameter is too small.	Ensure the base is filled to maximum capacity with water or sand. Tighten both hand-turn knobs securely. Verify umbrella pole diameter is within 1.5" to 1.9".
Base is difficult to move.	Not utilizing casters; attempting to drag the base.	Tilt the base slightly to engage the casters and roll it. Do not drag the base.

Problem	Possible Cause	Solution
Water or sand leaks from the base.	Fill cap not securely closed.	Ensure the fill cap is tightly sealed. Inspect the cap for any damage.

## 8. SPECIFICATIONS

---

- **Model:** PL245ML
- **Dimensions:** 21.65" L x 21.65" W x 19.29" H (55 cm L x 55 cm W x 49 cm H)
- **Material:** Heavy-duty Plastic
- **Water Fill Capacity:** Approx. 82 lbs (37 kg)
- **Wet Sand Fill Capacity:** Approx. 141 lbs (64 kg)
- **Maximum Fill Capacity (Wet Sand + Water):** Approx. 158 lbs (71.7 kg)
- **Compatible Umbrella Pole Diameter:** 1.5" to 1.9"
- **Recommended Umbrella Sizes:** Ideal for 6-11ft market umbrellas, specifically 11ft, 9' x 12', 10' x 10', 10 ft, 6.5' x 10', 8' x 10', 8' x 11.5'

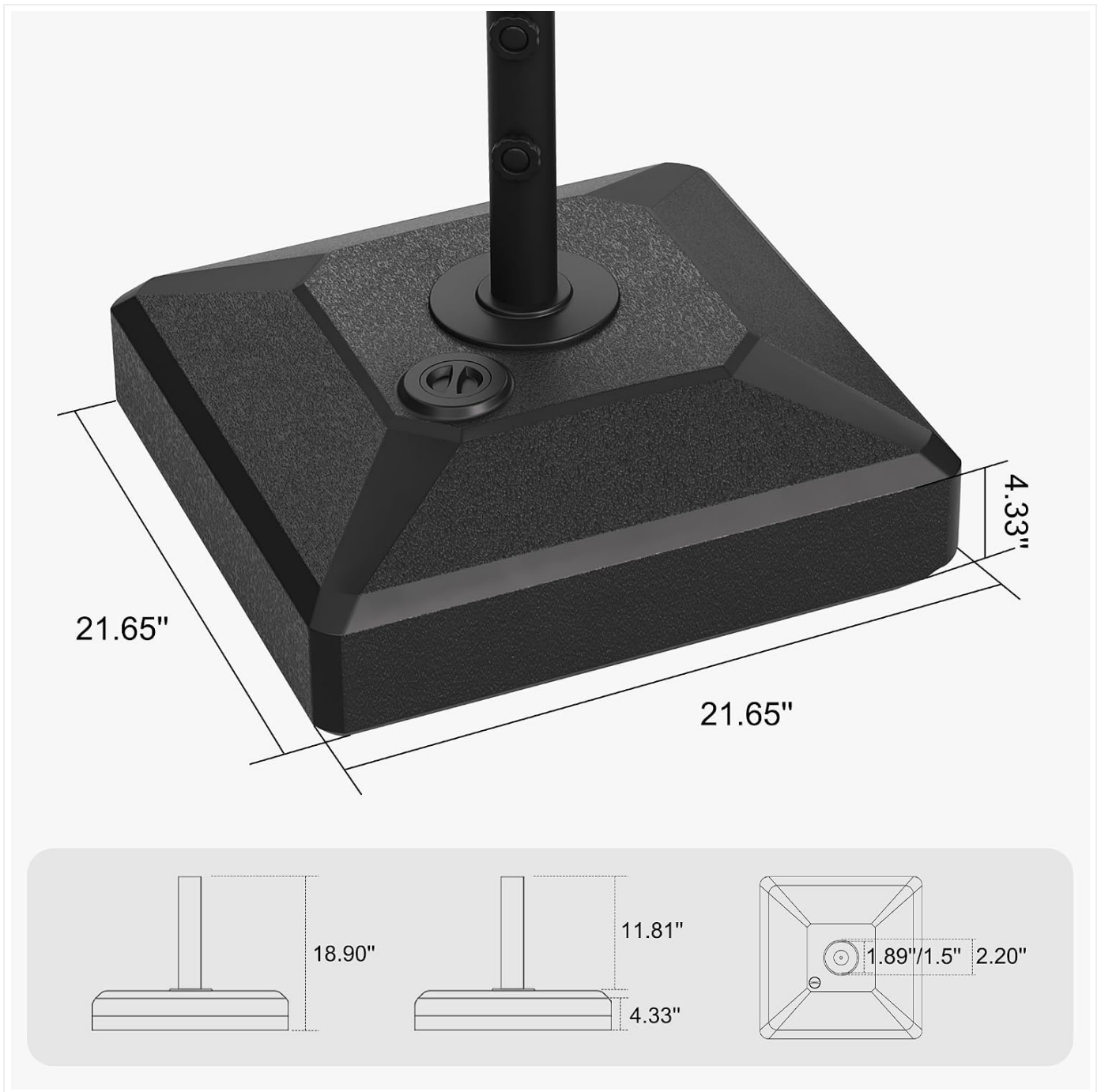


Image 8.1: Detailed dimensions of the umbrella base, including length, width, height, and pole receiver measurements.

## 9. WARRANTY & SUPPORT

For warranty information or technical support, please refer to the product packaging or contact PURPLE LEAF customer service directly. Keep your purchase receipt for warranty claims.

**Contact Information:** Please visit the official PURPLE LEAF website or refer to your purchase documentation for the most current contact details.

