

FIREGAS FGS-UBF21A1190AC

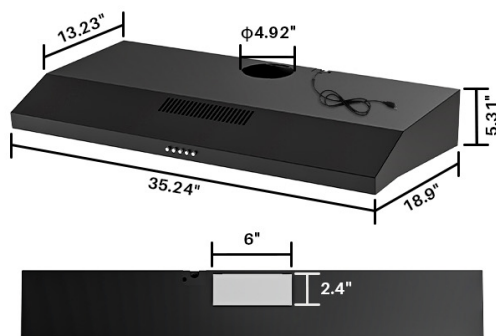
FIREGAS FGS-UBF21A1190AC 36-Inch Under Cabinet Range Hood User Manual

Model: FGS-UBF21A1190AC

1. INTRODUCTION

This manual provides essential information for the safe installation, operation, and maintenance of your FIREGAS FGS-UBF21A1190AC 36-inch under cabinet range hood. Please read these instructions thoroughly before installation and use, and retain them for future reference.

36 Inch Range Hood Model Number : FGS-UBF21A1190AC



Charcoal Filter
Model: CC170



Screws



Manual



Installation Drawing



Vent Cover



Dampers



Air Outlet



Square to round
outlet adaptor

Figure 1.1: Overview of the FIREGAS 36-inch Under Cabinet Range Hood features.

2. SAFETY INFORMATION

To reduce the risk of fire, electric shock, or injury, observe the following:

- Install this range hood in accordance with all specified instructions.
- Ensure the electrical supply matches the voltage and frequency requirements of the appliance.

- Always disconnect power before servicing or cleaning the unit.
- Do not operate any fan with a damaged cord or plug.
- Proper ventilation is required for combustion gases to be exhausted through the flue of fuel-burning equipment to prevent back-drafting.
- Clean grease filters frequently. Grease accumulated on filters can ignite.
- Never leave surface units unattended at high settings. Boilovers cause smoking and greasy spillovers that may ignite.
- Use appropriate size cookware on each burner.

3. PACKAGE CONTENTS

Verify that all components are present and undamaged before beginning installation.

- 36 inch Black Range Hood
- 2 Aluminum Filters
- CC170 Charcoal Filter
- Screws
- Dampers
- Square to Round Outlet Adaptor
- Air Outlet
- Vent Cover
- Installation Drawing
- Manual



Figure 3.1: Included components and product dimensions.

4. SPECIFICATIONS

Feature	Specification
Model Number	FGS-UBF21A1190AC
Dimensions (W x D x H)	35.24" x 18.9" x 5.3"
Air Flow Capacity	300 Cubic Feet Per Minute (CFM)
Noise Level	Less than 45 Decibels (dB) at high speed
Number of Speeds	3
Motor Type	Brushless DC Motor

Feature	Specification
Lighting	1.5 Watt LED Lights
Filter Type	3-layer Aluminum Mesh, CC170 Charcoal Filter
Ventilation Type	Convertible (Ducted/Ductless)
Controls Type	Push Button
Voltage	120 Volts
Wattage	38 watts
Material	Aluminum, Stainless Steel



Figure 4.1: Product dimensions and top vent details.



Figure 4.2: Brushless DC Motor benefits and specifications.

5. INSTALLATION

5.1 Mounting Options

The FIREGAS range hood can be installed in either ducted or ductless (recirculation) configurations. Ensure you select the appropriate venting method for your kitchen setup.

- **Ducted Installation:** Air is exhausted outside through a duct system. This requires a connection to an

external vent.

- **Ductless (Recirculation) Installation:** Air is filtered through charcoal filters and recirculated back into the kitchen. This method is suitable when external venting is not possible.



Figure 5.1: Venting options: Top, Back, and Recirculation.

5.2 General Installation Steps

1. **Preparation:** Ensure the installation area is clear and the power supply is disconnected. Refer to the included "Installation Drawing" for detailed measurements and mounting points.
2. **Mounting:** Secure the range hood to the underside of your cabinet using the provided screws. Ensure it is level and firmly attached.
3. **Ducting (if applicable):** Connect the appropriate ductwork (top or rear) to the range hood and route it to the exterior vent. Use the square to round outlet adaptor and vent cover as needed.
4. **Electrical Connection:** Connect the range hood to a 120V power outlet.
5. **Filter Installation:** Install the aluminum grease filters. If using in recirculation mode, install the CC170 charcoal filter as described in the Maintenance section.

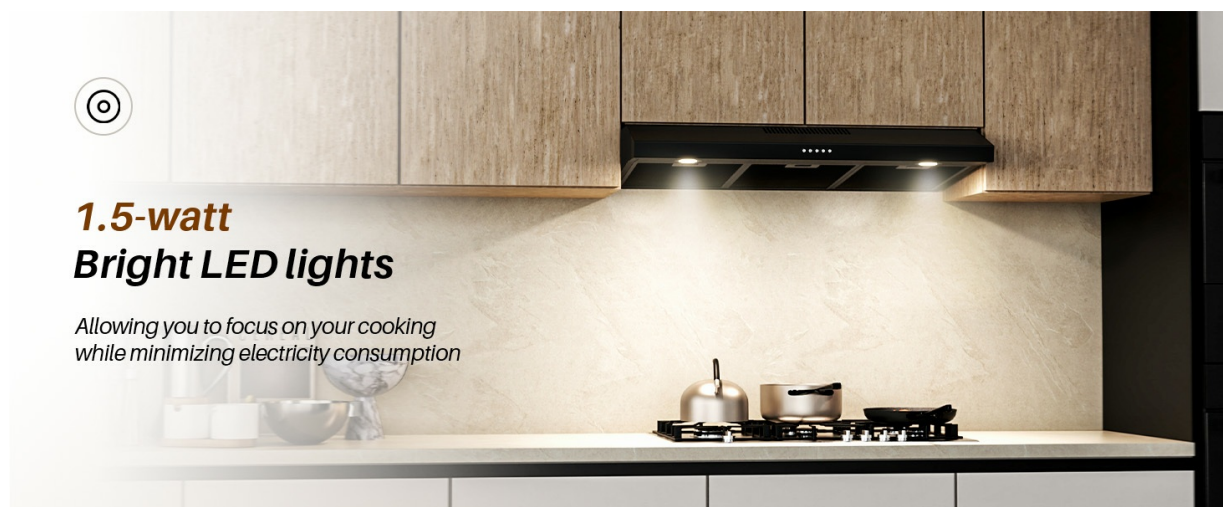


Figure 5.2: Recommended installation dimensions and coverage.

6. OPERATION

The FIREGAS range hood features user-friendly push-button controls for fan speed and lighting.

6.1 Fan Operation

The range hood is equipped with a 3-speed exhaust fan to effectively remove smoke and odors.

- Press the **Speed 1** button for low ventilation, suitable for simmering.
- Press the **Speed 2** button for medium ventilation, ideal for light cooking.
- Press the **Speed 3** button for high ventilation, recommended for heavy cooking or frying.

- Press the **Off** button to turn off the fan.



Figure 6.1: Adjusting the 3-speed exhaust fan for various cooking tasks.

6.2 LED Lights

The range hood includes energy-efficient 1.5-watt LED lights to illuminate your cooking area.

- Press the **Light** button to turn the lights on or off.



Figure 6.2: Bright LED lights illuminating the cooking surface.

6.3 Button Control System

The control panel features five push buttons for intuitive operation.



Figure 6.3: User-friendly button control interface.

7. MAINTENANCE

Regular maintenance ensures optimal performance and longevity of your range hood.

7.1 Cleaning Aluminum Grease Filters

The 3-layer aluminum filters should be cleaned regularly to prevent grease buildup, which can reduce efficiency and pose a fire hazard.

- **Frequency:** Clean filters every 3-6 months, or more frequently depending on cooking habits.
- **Removal:** Gently pull down the latch on each filter to release it from the hood.
- **Cleaning Method:** Wash filters in warm, soapy water or place them in a dishwasher. Ensure they are completely dry before reinstallation.

- **Reinstallation:** Align the filters with their slots and push them up until the latches click into place.



Figure 7.1: 3-layer reusable aluminum filters for efficient grease capture.

7.2 Replacing CC170 Charcoal Filter (Ductless Mode Only)

If your range hood is operating in recirculation (ductless) mode, the CC170 charcoal filter needs periodic replacement to maintain odor removal efficiency.

1. **Remove Aluminum Filters:** First, remove the aluminum grease filters as described above.
2. **Locate Motor:** Identify the motor assembly inside the hood.
3. **Install Charcoal Filter:** Twist and tighten the CC170 charcoal filter onto the motor housing.
4. **Completion:** Reinstall the aluminum filters.



Figure 7.2: Carbon filter installation for recirculation mode.

7.3 Exterior Cleaning

Clean the exterior surfaces of the range hood regularly with a mild detergent and a soft cloth. Avoid abrasive cleaners or scouring pads that could scratch the finish.

8. TROUBLESHOOTING

If you encounter issues with your range hood, refer to the following common problems and solutions:

Problem	Possible Cause	Solution
Fan does not operate	No power supply	Check power connection and circuit breaker.

Problem	Possible Cause	Solution
Fan operates but suction is weak	Clogged grease filters	Clean or replace grease filters.
	Charcoal filter saturated (ductless mode)	Replace charcoal filter.
	Improper ducting (ducted mode)	Ensure ductwork is properly sealed and free of obstructions.
Lights do not work	Faulty LED bulb or connection	Check bulb connection; contact customer support for replacement.
Excessive noise	Loose parts or motor issue	Ensure all mounting screws are tight. If noise persists, contact customer support.

If the problem persists after attempting these solutions, please contact FIREGAS customer support.

9. WARRANTY AND SUPPORT

Your FIREGAS range hood comes with a **1 Year Limited Warranty** from the date of purchase. This warranty covers defects in materials and workmanship under normal use.

For warranty claims, technical assistance, or any questions regarding your product, please contact FIREGAS customer support directly. Have your model number (FGS-UBF21A1190AC) and proof of purchase ready.



Figure 9.1: FIREGAS customer support commitment.