



[Manuals.plus](#) /

› [CubiMythx](#) /

› CubiMythx 1/40 Union Pacific 4014 Big Boy Locomotive Building Toy Instruction Manual

## CubiMythx X2014J4MIH10DPQALYAAO

# CubiMythx 1/40 Union Pacific 4014 Big Boy Locomotive Building Toy Instruction Manual

Model: X2014J4MIH10DPQALYAAO | Brand: CubiMythx

## INTRODUCTION

---

Thank you for choosing the CubiMythx 1/40 Union Pacific 4014 Big Boy Locomotive Building and Construction Toy. This highly detailed model is designed to replicate the iconic Big Boy steam locomotive, offering an engaging and rewarding building experience for enthusiasts. This manual provides essential information for assembly, operation, maintenance, and troubleshooting to help you enjoy your model to its fullest potential.



Image: The complete CubiMythx 1/40 Union Pacific 4014 Big Boy Locomotive model, showcasing its intricate design and included components such as the remote control and motors.

## ASSEMBLY INSTRUCTIONS

---

The CubiMythx Big Boy Locomotive model consists of approximately 3200 premium parts. Careful attention to the assembly process will ensure a successful and stable build. It is recommended for ages 15 and up due to the complexity and number of pieces.

### Before You Begin:

- **Unpack and Organize:** Carefully unpack all components. While the product includes comprehensive paper assembly instructions, pieces are not pre-sorted into numbered bags. It is highly recommended to sort all pieces by type and color before beginning assembly. This will significantly reduce build time and frustration.
- **Review Instructions:** Familiarize yourself with the entire instruction manual before starting. Pay close attention to the diagrams and step-by-step guidance.
- **Prepare Your Workspace:** Ensure you have a clean, well-lit, and spacious area to work on. A large flat surface is ideal for sorting parts and assembling the model.
- **Sticker Application:** The product includes stickers for authentic detailing, such as "UNION PACIFIC" and

"4014" markings. Apply these carefully as indicated in the instructions for the best appearance.

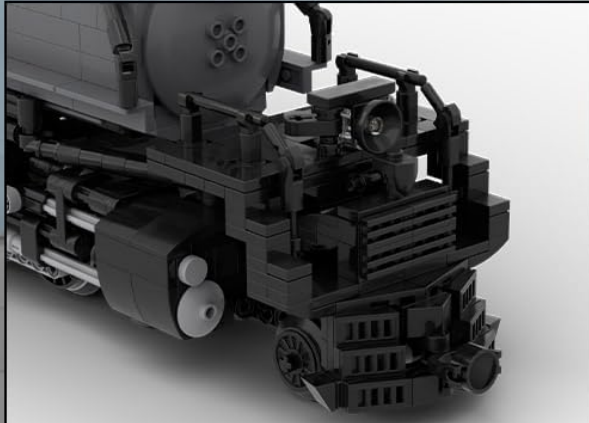


Image: The sticker sheet provided with the model, featuring authentic Union Pacific and 4014 markings for detailed application.

### Assembly Process:

Follow the included HD paper assembly instructions precisely. The model features a complex design with independent pistons and crank connecting rods on its two sets of driving wheels. Ensure all connections are firm to maintain structural integrity.

# Detail Display



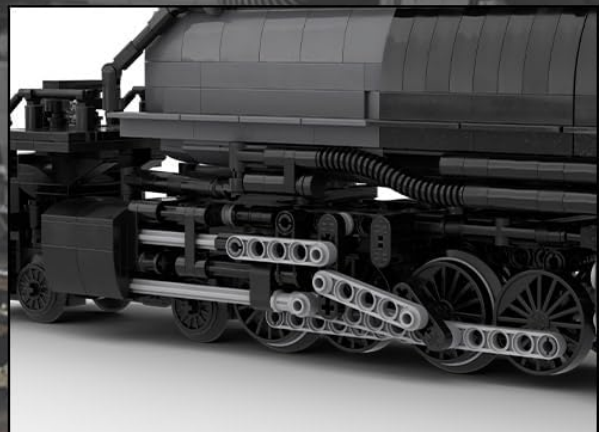
The side of the locomotive



Front of the locomotive



The tail of a locomotive



Locomotive tyres

Image: Close-up views highlighting various detailed sections of the locomotive, including the front, side, tail, and intricate wheel mechanisms.

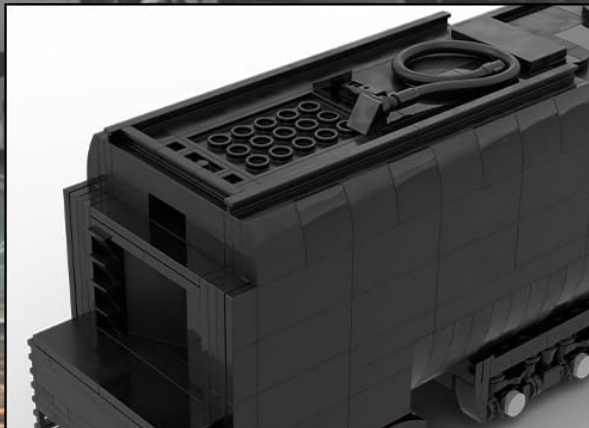
# Detail Display



A locomotive carriage



Roof of locomotive



The roof of a locomotive carriage



The rear wheels of a locomotive

Image: Further detailed views of the model, showing the locomotive carriage, roof, and the rear wheel assembly.

## OPERATION GUIDE

---

This model is designed as an RC (Remote Control) train, allowing for dynamic movement once fully assembled and powered. The RC functionality enhances the display and interactive experience of the locomotive.

### Powering the Model:

- **Battery Installation:** Install the required batteries into the power functions unit and the remote control as per the assembly instructions. Ensure correct polarity.
- **Connecting Motors:** Verify that all motor connections from the driving wheels are securely plugged into the power functions unit.

### Using the Remote Control:

- **Pairing:** Follow the instructions to pair the remote control with the locomotive's power functions unit.
- **Movement:** Use the controls on the remote to move the locomotive forward and backward. The independent

pistons and crank connecting rods will articulate during movement.

- **Display:** When not in operation, the model serves as an impressive display piece, showcasing its historical accuracy and intricate details.



Image: The assembled CubiMythx 1/40 Union Pacific 4014 Big Boy Locomotive displayed on a surface, highlighting its impressive size and detail as a static model.

## CARE AND MAINTENANCE

---

Proper care will ensure the longevity and appearance of your CubiMythx locomotive model.

- **Cleaning:** Use a soft, dry cloth or a soft brush to gently remove dust from the model. Avoid using water or chemical cleaners, as these can damage the plastic components or stickers.
- **Storage:** Store the model in a cool, dry place away from direct sunlight and extreme temperatures. Prolonged exposure to sunlight can cause discoloration of the plastic.
- **Handling:** Handle the model with care, especially when moving it. Due to its modular construction, some smaller or less integrated sections may detach if handled roughly. It is advisable to support the model from its main structural points when lifting or moving.

- **Battery Care:** If the model will not be used for an extended period, remove batteries from the power functions unit and remote control to prevent leakage and damage.

## TROUBLESHOOTING GUIDE

This section addresses common issues that may arise during assembly or operation of your locomotive model.

Problem	Possible Cause	Solution
<b>Difficulty with Assembly / Loose Connections</b>	Complex design; pieces not fully seated; structural stress points.	Ensure each piece is firmly pressed into place. For sections that feel particularly unstable or prone to detachment, consider applying a small amount of plastic model adhesive to critical, non-moving connections for added stability. This is especially relevant for decorative or weakly attached elements.
<b>Missing or Incorrect Pieces</b>	Packaging error; misidentification of parts.	Double-check your sorting and the instruction diagrams. If pieces are genuinely missing or incorrect, contact CubiMythx customer support for assistance.
<b>RC Functionality Not Working</b>	Incorrect battery installation; uncharged batteries; loose motor connections; pairing issue.	Verify batteries are correctly installed and charged. Check all motor and power unit connections. Re-attempt the pairing process between the remote control and the power functions unit as per instructions.
<b>Model Does Not Move Smoothly</b>	Friction in moving parts; misaligned components.	Inspect the driving wheels and connecting rods for any obstructions or misalignments. Ensure all axles rotate freely. Re-check assembly steps related to the locomotive's undercarriage and wheel mechanisms.

## PRODUCT SPECIFICATIONS

Feature	Detail
<b>Model Name</b>	1/40 Union Pacific 4014 Big Boy Locomotive Building and Construction Toy
<b>Brand</b>	CubiMythx
<b>Model Number</b>	X2014J4MIH10DPQALYAAO
<b>Number of Pieces</b>	3200 PCS
<b>Product Dimensions (Assembled)</b>	89 cm (L) x 8.5 cm (W) x 13.5 cm (H) / 35.04 x 3.35 x 5.31 inches
<b>Item Weight</b>	5.77 pounds
<b>Material</b>	Environmentally-friendly ABS material
<b>Recommended Age</b>	15 years and up

Feature	Detail
Features	RC functionality, independent pistons, crank connecting rod, detailed historical restoration.
Included	Plastic DIY Assembly Puzzle Toy, HD paper assembly instructions, stickers.

## Packaging size display

Note: This product is measured manually, and an error of 1-3cm is normal



Image: Diagram illustrating the dimensions of the assembled locomotive model and its packaging.

## WARRANTY INFORMATION

CubiMythx stands behind the quality of its products. While specific warranty details are not provided in this manual, please retain your proof of purchase. For any manufacturing defects or issues arising from normal use, please contact our customer support. Warranty coverage typically includes replacement of defective parts within a reasonable period from the date of purchase.

## CUSTOMER SUPPORT

Should you encounter any difficulties during assembly, require replacement parts, or have questions regarding your

CubiMythx 1/40 Union Pacific 4014 Big Boy Locomotive, please do not hesitate to contact our customer support team.

For the most up-to-date contact information, please refer to the CubiMythx official website or the contact details provided with your product packaging. When contacting support, please have your model number (X2014J4MIH10DPQALYAAO) and proof of purchase readily available.

We are committed to providing innovative and high-quality building block products and ensuring a positive experience for all our customers.