



[Manuals.plus](#) /

› [Qualitex](#) /

› Qualitex De Leon RV Dinette Bed with Storage (Model 3103) Instruction Manual

Qualitex 3103

Qualitex De Leon RV Dinette Bed with Storage Instruction Manual

Model: 3103 | Brand: Qualitex

1. INTRODUCTION

Thank you for choosing the Qualitex De Leon RV Dinette Bed with Storage. This versatile furniture piece is designed to provide comfort and functionality in your recreational vehicle, serving as both a dinette, a comfortable bed, and offering convenient storage. This manual provides essential information for the safe and proper use, maintenance, and care of your new RV dinette.



Image: The Qualitex De Leon RV Dinette Bed with Storage, showcasing its design and ash color.

2. SAFETY INFORMATION

Please read all safety warnings and instructions carefully before using this product. Failure to follow these instructions may result in injury or damage to the product.

- **Warning:** Keep small parts away from children. This product contains small parts that may pose a choking hazard.
- Always secure the sofa bed when in use to prevent tip-over. Ensure it is properly anchored within your RV.
- Do not exceed the weight limit of the sofa bed to ensure stability and safety. Refer to the specifications section for weight capacity.
- Avoid placing hot items directly on the surface. Use protective mats or coasters.
- Do not stand or jump on the dinette or bed.

3. SETUP

Your Qualitex De Leon RV Dinette Bed with Storage is designed for minimal setup. It arrives pre-assembled, requiring only placement and securing within your RV.

1. **Unpacking:** Carefully remove all packaging materials. Inspect the unit for any signs of damage during transit. Report any damage to your retailer immediately.
2. **Placement:** Position the dinette in your desired location within the RV. Ensure there is adequate space for conversion to a bed and access to the storage compartment.
3. **Securing the Unit:** For safety during travel, it is crucial to secure the dinette to the RV floor or wall using appropriate fasteners (not included, consult your RV manufacturer's guidelines for proper anchoring methods).
4. **Initial Inspection:** Verify that all cushions are properly seated and the storage lid operates smoothly.

4. OPERATING INSTRUCTIONS

4.1 Converting to a Bed

The dinette easily converts into a comfortable bed. The specific mechanism may vary slightly, but generally involves adjusting the backrests and seat cushions to form a flat sleeping surface.

- Remove any items from the dinette surface.
- Adjust the backrests: Depending on the design, backrests may fold down or slide into position to create a continuous surface with the seat cushions.
- Arrange cushions: Ensure all cushions are aligned to form a flat, even sleeping area.



Image: The dinette's overstuffed cushioning, designed for comfort in both seating and sleeping configurations.

4.2 Accessing Storage

The dinette features convenient, easy-to-access storage compartments located beneath the seat cushions.

- Lift the seat cushion(s) to reveal the storage area. The cushions may be hinged or simply lift off.
- Place or retrieve items from the compartment.
- Ensure the lid is securely closed before sitting or traveling.

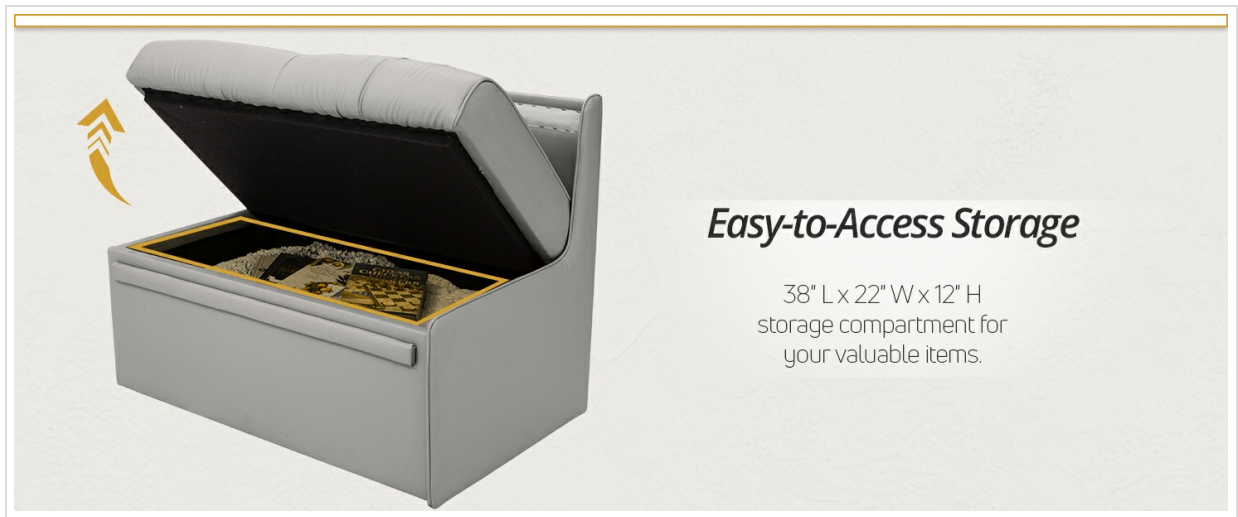


Image: The easy-to-access storage compartment beneath the seat, ideal for stowing valuable items and saving space.

5. MAINTENANCE

Proper care and maintenance will extend the life and appearance of your Qualitex RV Dinette.

5.1 Cleaning Ultimate Leather

The Ultimate Leather material is designed for durability and easy cleaning.

- **Regular Cleaning:** Wipe surfaces with a soft, damp cloth to remove dust and light spills.
- **Spot Cleaning:** For tougher stains, use a mild soap solution (e.g., diluted dish soap) on a soft cloth. Gently blot the stain, then wipe with a clean, damp cloth to remove soap residue. Dry thoroughly with a clean, dry cloth.
- **Avoid:** Do not use harsh chemicals, abrasive cleaners, or solvents, as these can damage the leather finish. Avoid excessive moisture.



Image: The durable and easy-to-clean Ultimate Leather surface, designed for peace of mind during travel, even with pets.

5.2 General Care

- Protect from direct sunlight for prolonged periods to prevent fading.
- Avoid sharp objects that could puncture or scratch the material.
- Periodically check all fasteners and connections to ensure they remain tight and secure.



Image: The Ultimate Leather material, engineered for durability and resistance to UV, weather, fade, and mildew, ensuring long-lasting quality.

6. TROUBLESHOOTING

If you encounter any issues with your Qualitex RV Dinette, refer to the following common problems and solutions:

Problem	Possible Cause	Solution
Difficulty converting to bed	Obstruction, misaligned cushions	Ensure no items are blocking the mechanism. Realign cushions and backrests carefully.
Storage lid not closing properly	Items obstructing closure, hinge issue	Check for items inside the compartment that prevent closure. Inspect hinges for damage or misalignment.
Unusual noises during use	Loose fasteners, friction	Check and tighten all visible fasteners. Apply a silicone-based lubricant to moving parts if friction is suspected.

If the problem persists after attempting these solutions, please contact Qualitex customer support.

7. SPECIFICATIONS

- **Model Number:** 3103
- **Brand:** Qualitex
- **Color:** Ash
- **Material Type:** Ultimate Leather
- **Style:** Modern
- **Assembly Required:** No
- **Included Components:** Easy-to-Access Storage, Family/Pet-Friendly design, Quickly Converts to a Bed
- **Item Depth:** 40 inches
- **UPC:** 811887039089

7.1 Dimensions

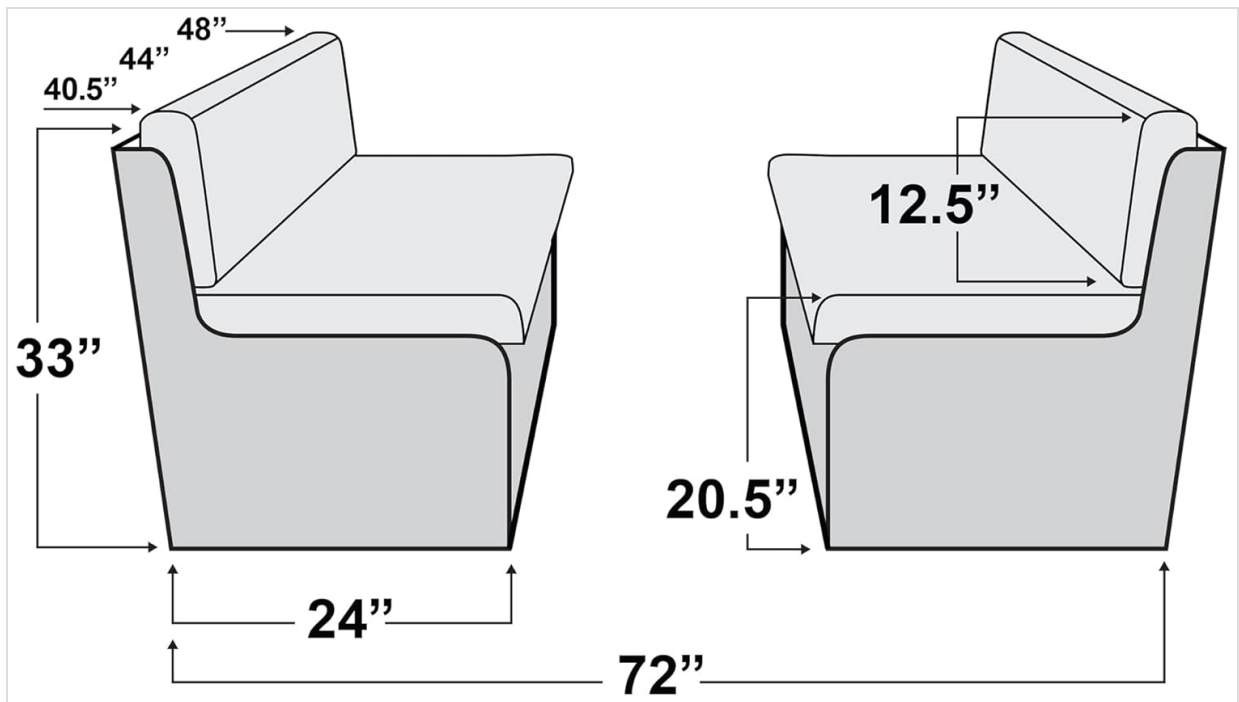


Image: Detailed dimension diagram for the Qualitex De Leon RV Dinette, showing measurements such as 72" total length, 33" height, and 24" depth.

8. WARRANTY AND SUPPORT

8.1 Manufacturer's Warranty

The Qualitex De Leon RV Dinette Bed with Storage is covered by a **3-Year Limited Warranty** (or 36,000 miles, whichever comes first). This warranty covers manufacturing defects under normal use. Please retain your proof of purchase for warranty claims.

8.2 Customer Support

For technical assistance, warranty claims, or any questions regarding your product, please contact Qualitex customer support:

- **Website:** Visit the official Qualitex website for support resources and contact information.
- **Email:** Refer to your purchase documentation for direct email support.
- **Phone:** Refer to your purchase documentation for customer service phone numbers.

Please have your model number (3103) and proof of purchase ready when contacting support.