



[Manuals.plus](#) /

› [FORGING MOUNT](#) /

› FORGING MOUNT Mobile TV Stand Instruction Manual for 23-60 Inch TVs (Model FM6613)

## FORGING MOUNT FM6613

# FORGING MOUNT Mobile TV Stand Instruction Manual

Model: FM6613 | For 23-60 Inch Televisions

## INTRODUCTION

---

Thank you for purchasing the FORGING MOUNT Mobile TV Stand. This manual provides detailed instructions for the safe and efficient assembly, operation, and maintenance of your TV stand. Please read this manual thoroughly before installation and keep it for future reference.

This mobile TV stand is designed to accommodate most 23-60 inch televisions weighing up to 40kg (88 lbs). It features adjustable height, tilt functionality, and lockable caster wheels for easy mobility and stability.

## IMPORTANT SAFETY INFORMATION

---

Please observe the following safety precautions to prevent injury or damage to your product:

- Do not exceed the maximum weight capacity of 40kg (88 lbs).
- Ensure your TV's VESA pattern is compatible (max 400x400mm).
- Always lock the caster wheels when the stand is in a stationary position to prevent accidental movement.
- Assemble the product on a soft, clean surface to avoid scratches.
- Keep children and pets away during assembly.
- If any parts are missing or damaged, do not attempt to assemble. Contact customer support immediately.
- Use appropriate lifting techniques when mounting the TV to the stand. It is recommended to have assistance.

## PACKAGE CONTENTS

---

Verify that all components are present before beginning assembly. Refer to the included parts list in your physical manual for detailed identification.

- Instruction Manual
- Caster Wheels (4 units)
- Cable Ties
- Media Shelf

- All necessary hardware (screws, washers, spacers) for TV mounting and stand assembly.

## SETUP AND ASSEMBLY

---

Follow these steps carefully for proper assembly. An illustrated guide is included in your physical package for visual reference.

### Step 1: Attach Caster Wheels to the Base

Secure the four caster wheels to the base of the TV stand. Ensure that the locking mechanism on each wheel is functional. The FORGING MOUNT casters are designed for strong load-bearing capacity, quiet operation, and floor protection.





Image: The main product image showing the assembled TV stand with a close-up of a lockable caster wheel. This highlights the quality and functionality of the wheels.

## 弊社のキャスター

- ✓ 強力な耐荷重
- ✓ 跡を残さずに床を守る
- ✓ 静音
- ✓ ダブルボールベアリング
- ✓ 力を入れずに簡単に押せる
- ✓ 錆びにくい



VS

## 他社のキャスター

- ✗ 壊れやすい単一構造
- ✗ 耐荷重が弱い
- ✗ 地面に傷がつきやすい
- ✗ 騒がしい
- ✗ 押しにくい



Image: A visual comparison illustrating the robust design of FORGING MOUNT caster wheels (strong load, quiet, floor

protection, double ball bearing, easy push, rust-resistant) against generic plastic casters (fragile, weak load, floor damage, noisy, hard to push).

## Step 2: Assemble the Vertical Pole and Shelf

Connect the vertical pole sections and attach the media shelf at your desired height. The shelf has a maximum load capacity of 5kg and can be removed if not needed. Ensure the pole is securely fastened to the base.

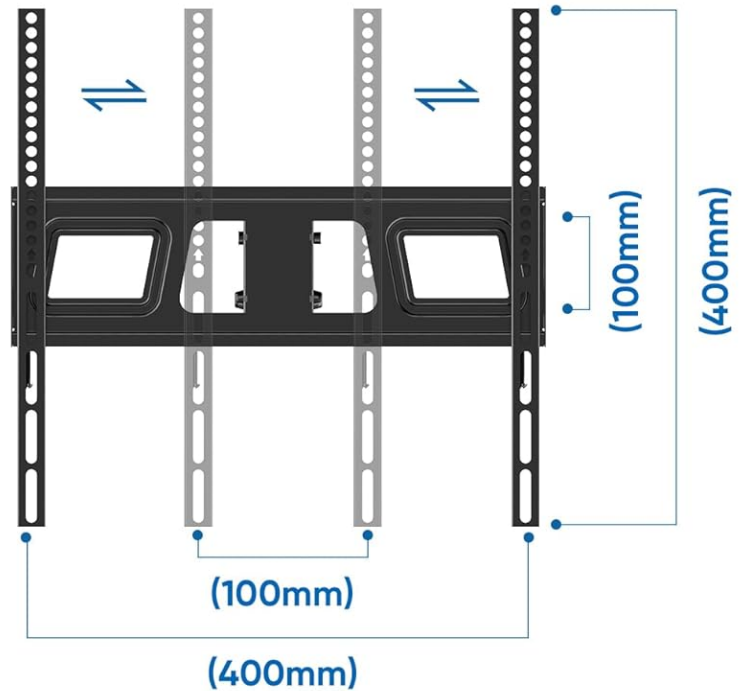
# 幅広くテレビサイズに対応



VESA規格

横 x 縦

100 x 100 mm	300 x 200 mm
100 x 200 mm	300 x 300 mm
200 x 100 mm	300 x 400 mm
200 x 200 mm	400 x 200 mm
200 x 300 mm	400 x 300 mm
200 x 400 mm	400 x 400 mm



テレビ用ネジ

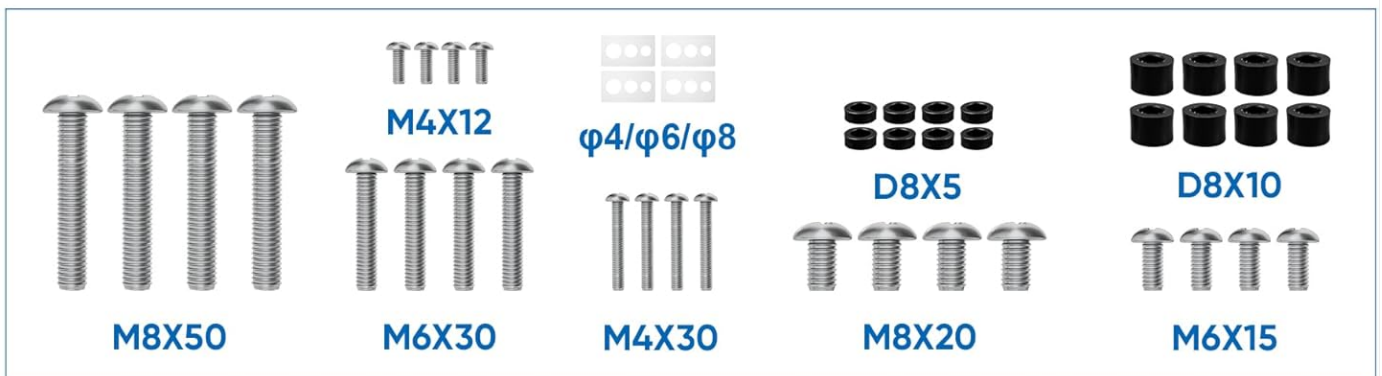


Image: Diagram showing the dimensions of the TV stand, including height adjustments, VESA compatibility, and shelf placement. It indicates compatibility for 23-60 inch TVs, 40kg max load, and tilt angles.

## Step 3: Prepare Your TV for Mounting

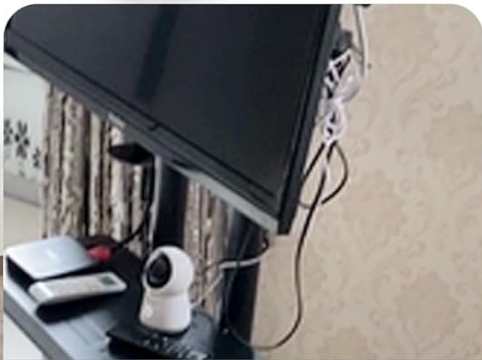
Identify your TV's VESA mounting pattern. This stand supports VESA patterns from 100x100mm up to 400x400mm. Select the appropriate screws and spacers from the provided hardware kit that match your TV's specifications.

# ケーブル収納

デバイスとケーブルを整理整頓



弊社



他社



*Image: Diagram illustrating various VESA patterns supported by the TV stand and a selection of TV screws (M4, M6, M8) and spacers provided for different TV models.*

## Step 4: Attach TV Brackets to the Television

Attach the TV mounting brackets to the back of your television using the selected screws and spacers. Ensure they are securely tightened.

## Step 5: Mount the TV to the Stand

With assistance, carefully lift the television and hook the attached brackets onto the vertical rails of the TV stand. Secure the TV in place using the safety locks on the brackets.



*Image: An infographic detailing key features of the TV stand, including dual hooks for height adjustment, a sturdy shelf, safety locks, integrated cable management, 360-degree multi-directional casters, and tilt functionality (+5° to -8°).*

## OPERATING INSTRUCTIONS

---

### Moving the TV Stand

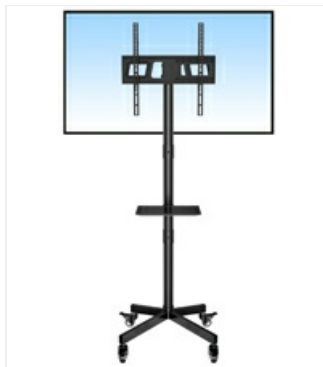
To move the TV stand, unlock all four caster wheels by disengaging their brakes. Gently push the stand to your desired location. Once positioned, engage the brakes on all four wheels to secure the stand.



*Image: A close-up view of a caster wheel with its locking mechanism engaged, indicating how to secure the stand.*

## **Adjusting TV Height**

The TV height can be adjusted by repositioning the mounting brackets on the vertical pole. This allows for fine-tuning the viewing height to suit different environments or seating arrangements. Additionally, the entire pole can be adjusted for a wider range of height changes.



*Image: An illustration demonstrating the vertical adjustment of the TV mounting brackets on the stand's pole, allowing for flexible height positioning.*

## **Adjusting TV Tilt Angle**

The TV can be tilted +5 degrees upwards and -10 degrees downwards. Loosen the tilt adjustment knobs on the back of the TV brackets, adjust to the desired angle, and then securely tighten the knobs.



*Image: A diagram illustrating the tilt range of the TV mount, showing adjustments from +5 degrees up to -10 degrees down.*

## **Cable Management**

Utilize the integrated cable management system on the back of the stand to keep cables organized and out of sight. This helps maintain a clean and tidy appearance.



Image: A visual comparison showing effective cable management using the stand's integrated system versus disorganized cables without it.

## MAINTENANCE

To ensure the longevity and proper functioning of your FORGING MOUNT TV stand, follow these maintenance guidelines:

- **Cleaning:** Wipe the stand with a soft, dry cloth. For stubborn marks, a slightly damp cloth can be used, followed by immediate drying. Avoid abrasive cleaners or solvents.
- **Hardware Check:** Periodically check all screws and bolts to ensure they remain tight. Re-tighten if necessary.
- **Caster Wheels:** Keep the caster wheels free of dust and debris to ensure smooth movement.
- **Weight Capacity:** Do not place items exceeding the specified weight limits on the shelf (5kg) or mount a TV heavier than 40kg.

## TROUBLESHOOTING

If you encounter any issues with your TV stand, refer to the following common problems and solutions:

- **Stand is unstable:**

- Ensure all assembly screws are securely tightened.
- Verify that the TV weight does not exceed the maximum capacity.
- Make sure the stand is placed on a flat, level surface.

- **Caster wheels do not move smoothly:**

- Check for any debris (hair, dust) caught in the wheels and remove it.
- Ensure the wheel brakes are fully disengaged.

- **TV appears to tilt slightly downwards after mounting:**

- Ensure the tilt adjustment knobs are fully tightened after setting the desired angle.
- Re-check the balance of the TV on the mounting brackets.

- **Missing parts:**

- Carefully check all packaging materials. If parts are genuinely missing, contact customer support immediately.

## SPECIFICATIONS

---

<b>Brand</b>	FORGING MOUNT
<b>Model Number</b>	FM6613
<b>Compatible TV Sizes</b>	23-60 inches
<b>Maximum Load Capacity (TV)</b>	40 kg (88 lbs)
<b>VESA Compatibility</b>	100x100mm to 400x400mm
<b>Tilt Angle</b>	+5° to -10°
<b>Material</b>	Steel
<b>Color</b>	Black
<b>Product Dimensions (Packaged)</b>	12.5 x 25.5 x 44 cm
<b>Product Weight (Packaged)</b>	6.8 kg
<b>Assembly Method</b>	Floor Mount
<b>Movement Type</b>	Swivel, Rotational
<b>Included Accessories</b>	Instruction Manual, Caster Wheels, Cable Ties, Shelf, Mounting Hardware

## WARRANTY AND CUSTOMER SUPPORT

---

FORGING MOUNT products come with quality assurance. If you have any questions, concerns, or require assistance with your product, including missing parts, please contact our customer support team.

To contact support, navigate to your Amazon account service, find your order history, locate the product, and select the option to contact the seller. Our team will be happy to assist you.

For more information about FORGING MOUNT products, please visit our official store: [FORGING MOUNT Amazon Store](#)



© 2024 FORGING MOUNT. All rights reserved.