

[Manuals.plus](#) /

› [WAVLINK](#) /

› WAVLINK AC600 Outdoor WiFi Extender User Manual (Model 570HA1-B)

WAVLINK 570HA1-B

WAVLINK AC600 Outdoor WiFi Extender User Manual

Model: 570HA1-B

INTRODUCTION

The WAVLINK AC600 Outdoor WiFi Extender is a versatile device designed to extend wireless network coverage in outdoor environments. It supports dual-band Wi-Fi (2.4GHz and 5GHz) and offers multiple operating modes including Repeater, Router, and Access Point (AP). Featuring Power over Ethernet (PoE) for simplified installation and an IP67-rated weatherproof casing, this extender is built for reliable performance in various outdoor conditions.

WHAT'S IN THE BOX

- 1x N300 Outdoor Access Point
- 2x 7dBi High-gain Antennas
- 1x RJ-45 Ethernet Cable
- 1x Power Adapter
- 1x PoE Converter
- 1x Main Body Holder
- 2x Cable Ties
- 1x Screw Fitting Kit
- 1x Quick Start Guide



Figure 1: All components included in the WAVLINK AC600 package.

SETUP AND INSTALLATION

The WAVLINK AC600 is designed for straightforward setup and flexible installation. Power over Ethernet (PoE) technology allows for a single Ethernet cable to transmit both power and data, simplifying deployment in outdoor locations where power outlets may not be readily available.

Physical Assembly

1. Attach the two 7dBi high-gain antennas to the designated ports on the top of the device by screwing them clockwise until secure.
2. Remove the bottom cap of the device to access the Ethernet port.
3. Thread the RJ-45 Ethernet cable through the spiral cover, rubber seal, and holder before connecting it to the device's Ethernet port.

4. Connect the RJ-45 cable to the Ethernet port on the device.
5. Secure the rubber seal and spiral cover to ensure a weatherproof connection.

Mounting Options

The device supports both pole mounting and wall mounting. Use the provided main body holder and screw fitting kit for secure installation. Cable ties are also included for additional securing if needed.

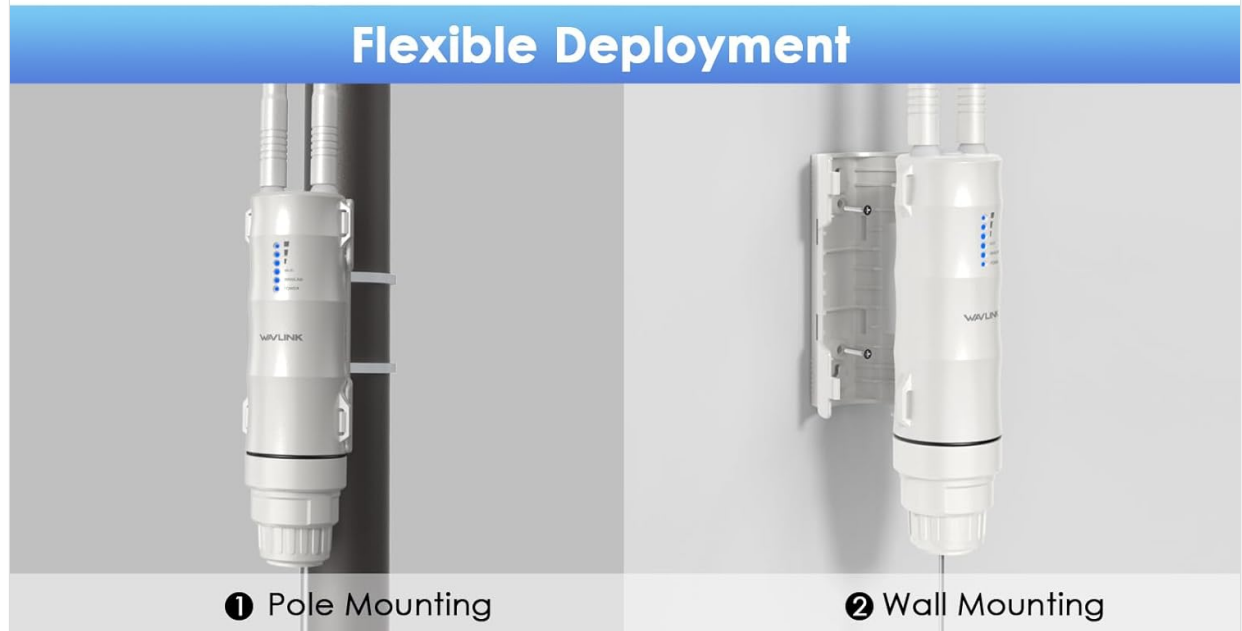
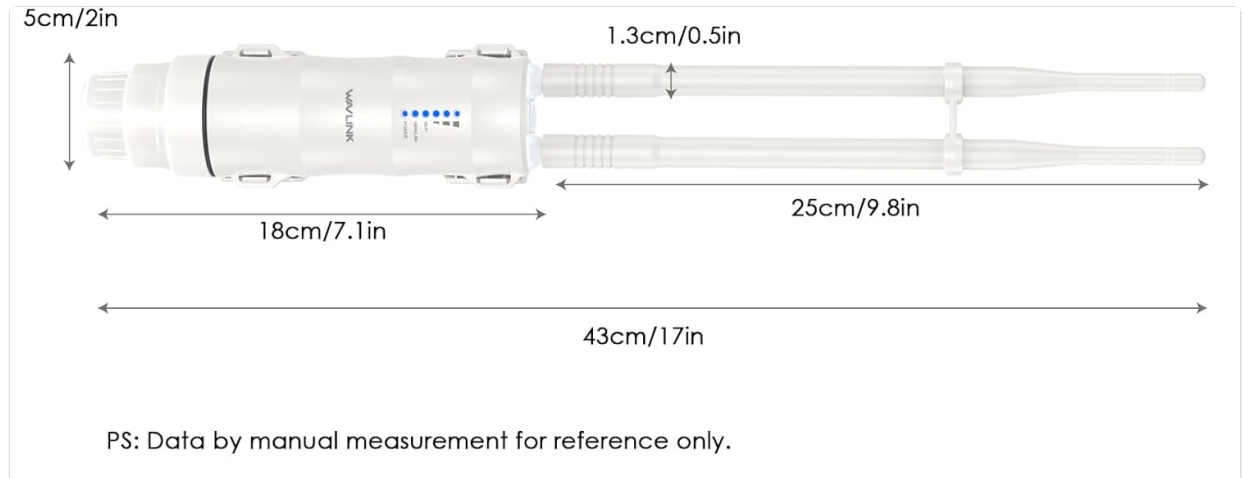


Figure 2: Flexible deployment options for the WAVLINK AC600.

Power over Ethernet (PoE) Connection

Connect the other end of the Ethernet cable to the PoE converter. The PoE converter has a dedicated port for the power adapter. Plug the power adapter into the PoE converter and then into a power outlet. This single cable setup provides both power and data to the extender.

Video 1: Explanation of Power over Ethernet (PoE) functionality.

Video 2: Quick facts on unboxing and assembly of the extender.

OPERATING MODES

The WAVLINK AC600 supports four distinct working modes to adapt to various networking needs:

- **Repeater Mode:** Extends the Wi-Fi coverage of an existing wireless network by amplifying and relaying the signal.
- **Router Mode:** Creates an instant private wireless network, allowing multiple devices to share an internet

connection.

- **AP Mode (Access Point):** Converts a wired network connection into a wireless one, providing Wi-Fi access.
- **AP+Repeater Mode:** Combines the functionalities of AP and Repeater modes to extend the range of a wireless network from an access point.

4-in-1 Optional Working Modes

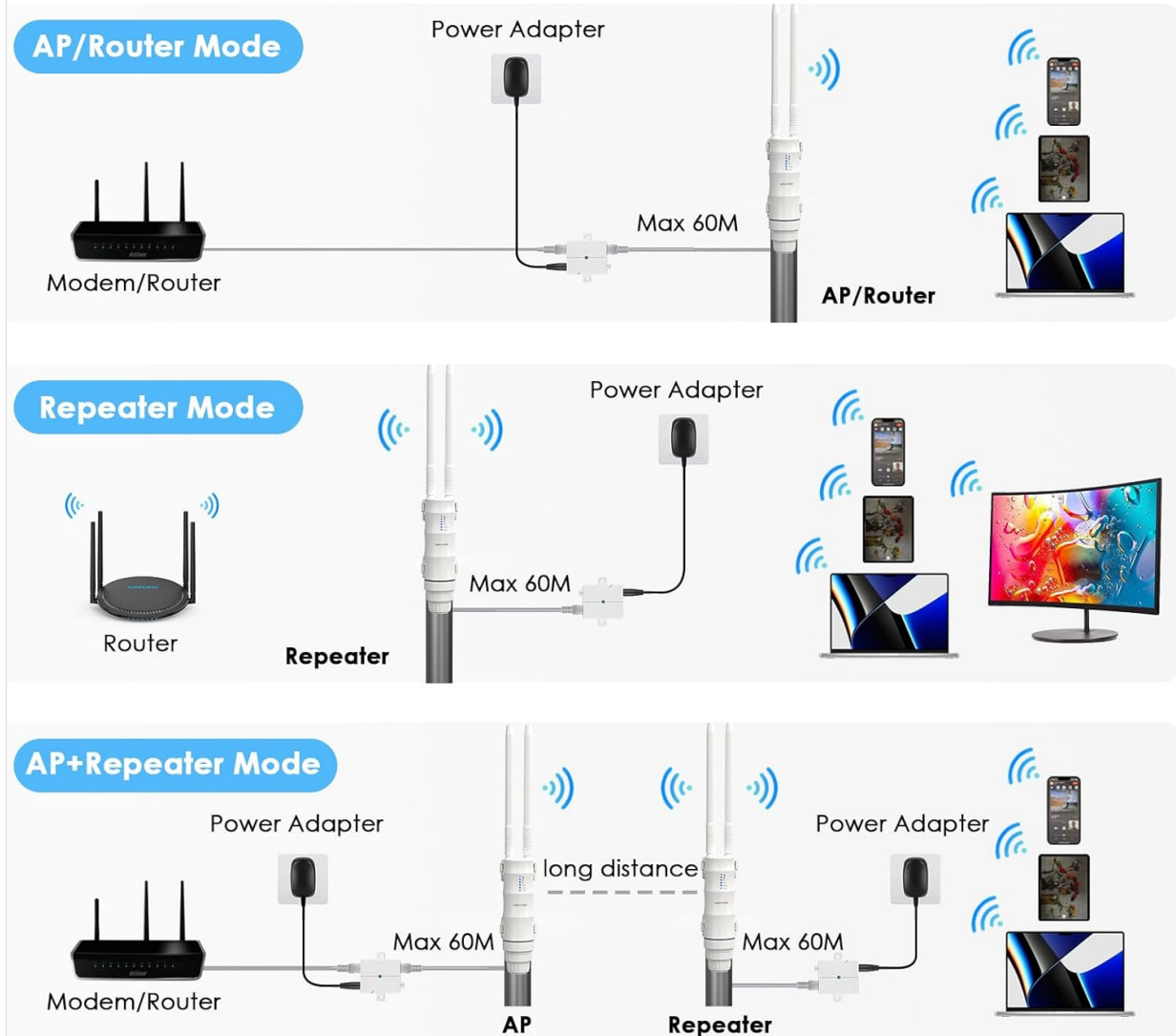


Figure 3: Visual representation of the different operating modes.

Video 3: A guide to setting up the extender in its various modes.

MAINTENANCE

The WAVLINK AC600 is built with durability in mind for outdoor use. Its IP67-rated weatherproof and heat-resistant enclosure ensures continued operation in harsh outdoor environments. This includes resistance to extreme temperatures (-10°C to 50°C or -14°F to 122°F), humidity, and features 15KV ESD and 6KV lightning protection. Regular visual inspection for any physical damage to the casing or cables is recommended to ensure optimal performance and longevity.



Figure 4: The extender's robust design for outdoor conditions.

TROUBLESHOOTING

If you encounter issues with your WAVLINK AC600, consider the following common troubleshooting steps:

- **No Power:** Ensure the power adapter is securely connected to the PoE converter and the converter is plugged into a working power outlet. Check the Power LED on the device.
- **No Internet Connection:** Verify that the Ethernet cable from your router to the PoE converter's LAN port is securely connected. Check your main router's internet status.
- **Weak Signal:** Adjust the position of the extender to optimize signal strength. Ensure there are no major obstructions between the extender and your devices.
- **Cannot Access Web Interface:** Ensure your device (computer/phone) is connected to the extender's Wi-Fi network or via Ethernet. Try accessing the default IP address (e.g., 192.168.10.1) in your web browser.
- **Reset to Factory Defaults:** If issues persist, press and hold the Reset button on the device for 8 seconds to restore factory settings.

SPECIFICATIONS

Feature	Value
---------	-------

Brand	WAVLINK
Model Number	570HA1-B
Wireless Communication Standard	802.11ac
Data Transfer Rate	300 Megabits Per Second
Frequency Band Class	Single-Band
Special Features	1-Tap Setup, Access Point Mode, Weatherproof, WiFi Mesh
IP Rating	IP67
Operating Temperature	-10°C to 50°C (-14°F to 122°F)
ESD Protection	15KV
Lightning Protection	6KV
Maximum Coverage Range	150 meters
Supported Devices	Up to 32

WARRANTY AND SUPPORT

WAVLINK products typically come with a 12-month warranty. For technical assistance or any questions, please contact WAVLINK support:

- **Phone Support:** +18889730883 (UTC-5) Mon - Fri 9AM - 6PM
- **Email Support:** Contact@wavlink.com

WAVLINK aims to provide solutions within 8 hours and offers life-long technical support for its products.