

## Petabo M2x4x1

# Petabo Silicone Sealing Gasket Instruction Manual (M2x4x1)

Model: M2x4x1

## 1. INTRODUCTION

This document provides essential information regarding the Petabo M2x4x1 Silicone Sealing Gaskets. These gaskets are designed to provide effective sealing and shock absorption in various applications. Understanding the product's specifications and proper usage will ensure optimal performance and longevity.

## 2. PRODUCT OVERVIEW AND FEATURES

The Petabo M2x4x1 Silicone Sealing Gaskets are flat, circular washers made from high-quality silicone rubber. They are supplied in a pack of 30 pieces, each precisely manufactured to the specified dimensions.

### Key Features:

- **Quantity:** Each package contains 30 pieces of silicone rubber gaskets.
- **Material:** Constructed from durable silicone rubber, offering excellent insulation and a strong airtight seal.
- **Temperature Resistance:** Capable of withstanding temperatures ranging from -60°C to 250°C.
- **Safety:** Free from harmful substances such as BPA, ensuring safe use in various environments.
- **Reusable:** Designed for multiple uses, providing good air tightness and a secure fit over time.
- **Easy Cleaning:** Compatible with dishwashers and microwave ovens for convenient cleaning.

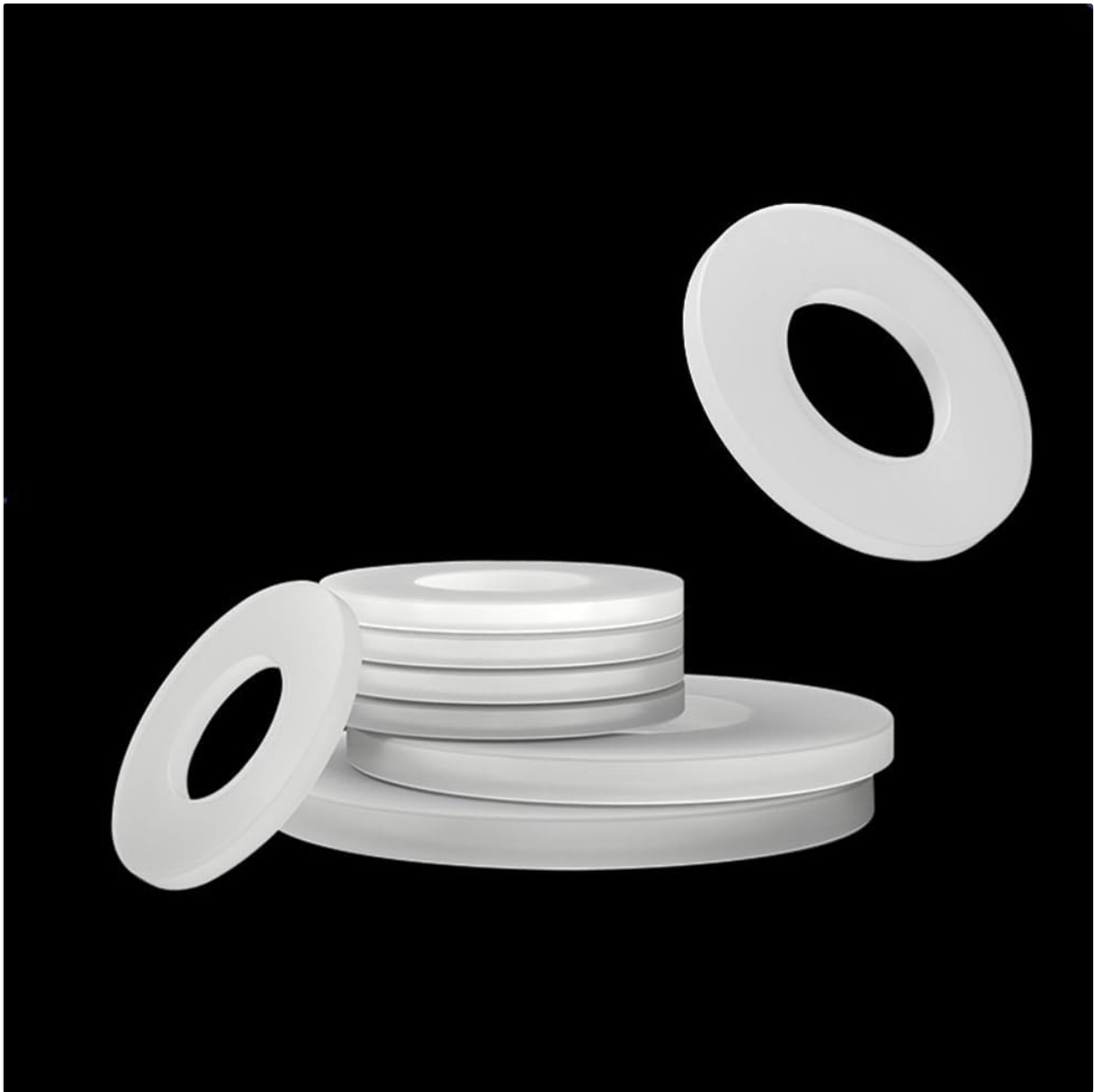


Image 1: A collection of Petabo silicone sealing gaskets, showcasing their translucent white appearance and flat, circular form.



Image 2: A close-up view of several Petabo silicone gaskets, highlighting their uniform shape and material texture.

### 3. SPECIFICATIONS

Detailed specifications for the M2x4x1 silicone sealing gasket are provided below:

Attribute	Value
Model	M2x4x1
Inner Diameter (ID)	2 mm
Outer Diameter (OD)	4 mm
Thickness (CS)	1 mm
Material	Silicone Rubber
Temperature Resistance	-60°C to 250°C
Color	White (Translucent)
Package Quantity	30 pieces

Attribute	Value
Item Weight	1.76 ounces (for the entire package)
Package Dimensions	1.18 x 0.79 x 0.39 inches

## Size Measurement

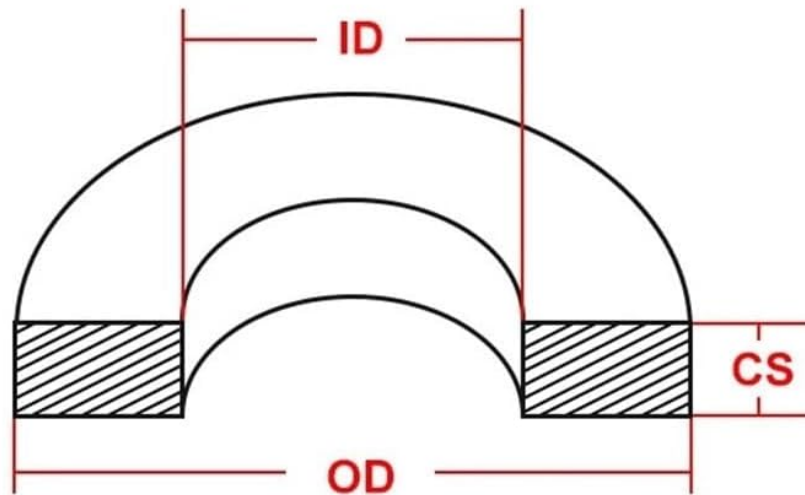


Image 3: A visual guide demonstrating how to measure the Inner Diameter (ID), Outer Diameter (OD), and Cross-Section (CS) of a gasket using digital calipers.

## 4. APPLICATION AND INSTALLATION

### Applications:

These silicone gaskets are versatile and suitable for a wide range of uses, including:

- Sealing in automotive components.
- Electrical connections in household and commercial appliances.
- Food storage containers (e.g., refrigerator and freezer storage, homemade fermentation covers) to prevent leakage.
- General purpose sealing and shock absorption where a flat washer is required.

### Installation Guidelines:

1. **Select Correct Size:** Ensure the M2x4x1 gasket matches the required inner diameter, outer diameter, and thickness for your application. Refer to the specifications table and Image 3 for measurement guidance.
2. **Clean Surfaces:** Before installation, ensure all mating surfaces are clean, dry, and free from debris or old gasket material.
3. **Proper Placement:** Carefully position the gasket between the components to be sealed. Ensure it is seated evenly and not twisted or pinched.
4. **Secure Components:** Assemble the components, applying even pressure to compress the gasket. Avoid over-tightening, which can damage the gasket or the components.

## 5. CARE AND MAINTENANCE

---

To ensure the longevity and continued performance of your silicone gaskets, follow these care instructions:

- **Cleaning:** Gaskets can be cleaned with mild soap and water. They are also safe for use in dishwashers and microwave ovens.
- **Inspection:** Periodically inspect gaskets for signs of wear, cracking, hardening, or deformation. Replace any damaged gaskets to maintain an effective seal.
- **Storage:** Store unused gaskets in a clean, dry place away from direct sunlight and extreme temperatures.

## 6. TROUBLESHOOTING

---

While silicone gaskets are generally reliable, minor issues can occur:

- **Leakage:** If leakage occurs, first check that the gasket is correctly sized and properly seated. Ensure mating surfaces are clean and free from obstructions. Replace the gasket if it shows signs of damage or wear.
- **Difficulty Sealing:** Verify that the gasket is not pinched or misaligned during assembly. Ensure sufficient, even compression is applied.

## 7. SUPPORT INFORMATION

---

For further assistance or inquiries regarding your Petabo silicone sealing gaskets, please refer to the seller's contact information on the purchase platform. No specific warranty information is provided with this product.