

[Manuals.plus](#) /

› [DEVAISE](#) /

› DEVAISE 3-Drawer Vertical Wood Filing Cabinet with Lock (Model AWJG025BL) - Instruction Manual

DEVAISE AWJG025BL

DEVAISE 3-Drawer Vertical Wood Filing Cabinet with Lock

Model: AWJG025BL | Brand: DEVAISE

INTRODUCTION

Thank you for choosing the DEVAISE 3-Drawer Vertical Wood Filing Cabinet. This manual provides essential information for the safe assembly, operation, and maintenance of your new filing cabinet. Please read these instructions thoroughly before beginning assembly and retain them for future reference.

This cabinet features a sophisticated wood finish and streamlined design, ideal for home office environments. It offers spacious storage for letter and A4 size files and can also serve as a printer stand.



Image: The DEVAISE 3-Drawer File Cabinet in a modern office setting, showcasing its design and functionality as a printer stand.

SAFETY INFORMATION

- Always secure the cabinet to the wall using the included anti-tip kit to prevent tipping hazards.
- Do not allow children to climb on or play with the cabinet.
- Ensure all screws and fasteners are tightened securely during assembly. Periodically check and re-tighten if necessary.
- Do not overload drawers. Distribute weight evenly to maintain stability.
- Only open one drawer at a time to prevent the cabinet from tipping forward.

PACKAGE CONTENTS

Before beginning assembly, please ensure all parts and hardware are present and undamaged. Refer to the detailed parts list in your separate assembly instructions for specific component identification.

Typical Components Include:

- Wood Panels (top, bottom, sides, drawer fronts, drawer sides/back)
- Drawer Slides (ball-bearing)
- Handles
- Locking Mechanism & Keys
- Various Screws, Dowels, and Connectors
- Anti-Tip Kit
- Assembly Tools (screwdriver, mallet - may be included or required)

HELP TO INSTALL

- Labeled Parts
- Clear Illustrations

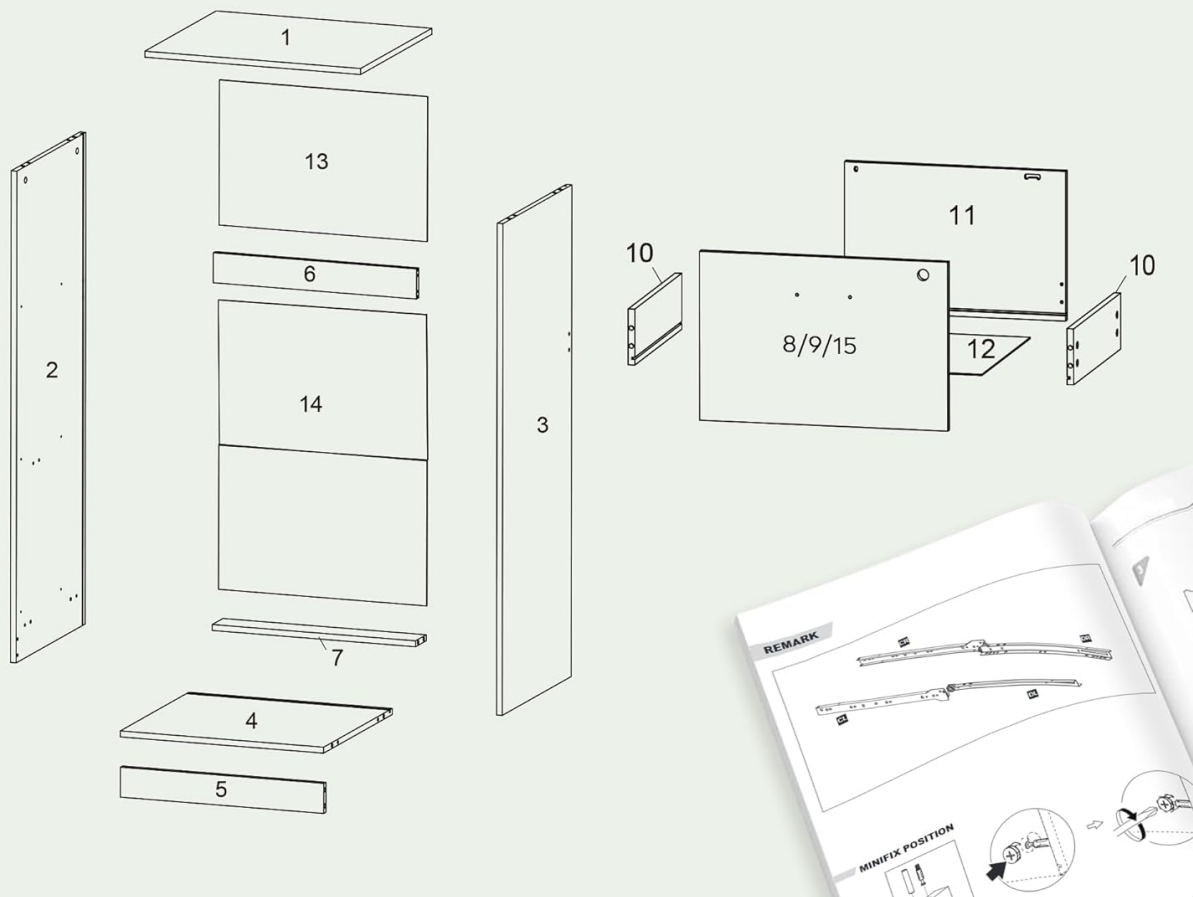


Image: An exploded diagram illustrating the various labeled parts and hardware required for assembling the file cabinet.

SETUP & ASSEMBLY

This wooden filing cabinet requires self-assembly. All necessary hardware, tools, and easy-to-follow instructions are included. It is recommended to assemble the unit on a soft, clean surface to prevent scratches.

Key Assembly Steps:

1. **Prepare Panels:** Identify all wooden panels and hardware.
2. **Install Drawer Slides:** Attach the bottom-mounted drawer slides to the cabinet side panels and drawer bottom panels. Ensure correct left/right orientation as indicated by stamped markings (CL, CR, DL, DR).
3. **Assemble Cabinet Frame:** Connect the side panels, top, and bottom panels using the provided connectors and dowels. Tighten all cam bolts securely.
4. **Assemble Drawers:** Construct each drawer box, ensuring the drawer slides are correctly installed.
5. **Insert Drawers:** Carefully align and push the assembled drawers into the cabinet frame.
6. **Install Anti-Tip Kit:** For safety, attach the anti-tip kit to the back of the cabinet and secure it to a wall stud.

Visual Assembly Guides:

Your browser does not support the video tag.

Video: Detailed guide on installing bottom-mounted drawer slides for cabinet components.

Your browser does not support the video tag.

Video: Instructions for installing three-in-one connectors and wooden dowels during cabinet assembly.



Image: Close-up of the smooth drawer slides and easy-pull handles, highlighting the quality of the drawer mechanism.

OPERATING INSTRUCTIONS

Drawer Operation:

- The drawers feature smooth ball-bearing slides for effortless opening and closing.
- Use the easy-pull handles to access the contents of each drawer.
- The top drawer is ideal for frequently accessed documents.

Locking Mechanism:

The cabinet is equipped with a secure locking system:

- A single lock on the top drawer controls all three drawers.
- The double interlocking structure ensures that when one drawer is open, the others remain securely closed, enhancing stability and preventing accidental tipping.
- Insert the key into the lock on the top drawer and turn to lock or unlock all drawers simultaneously.



Image: Visual representation of the interlock system, showing how opening one drawer prevents others from opening for enhanced safety.

File Compatibility:

The adjustable-rod drawers are designed to accommodate both Letter and A4 size hanging files.

SPECIFICATION



Total Load Capacity

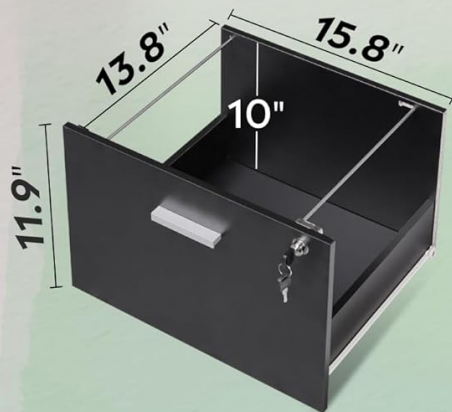


Image: A close-up view demonstrating the adjustment of file rods within a drawer to fit both A4 and Letter size documents.

Printer Stand Functionality:

The sturdy top surface of the cabinet is designed to stably accommodate large-sized printers, making it a versatile addition to your home office.

MAINTENANCE

- **Cleaning:** Wipe the cabinet surfaces with a soft, damp cloth. Avoid harsh chemicals or abrasive cleaners that may damage the wood finish.
- **Dusting:** Regularly dust the cabinet to prevent buildup.
- **Hardware Check:** Periodically inspect all screws and connections to ensure they remain tight. Re-tighten if any looseness is detected.
- **Drawer Slides:** If drawers become stiff, a small amount of silicone lubricant can be applied to the slides.



PRODUCT INFORMATION

Color:**Black/White/Rustic Brown**

Material:**Wood,PP**

Total Load Capacity: **77lbs**

Product Size:**17.7"W x15.7"D x 39.2"H**

Image: Demonstrates the scratch-resistant and easy-to-clean properties of the cabinet's engineered wood surface.

TROUBLESHOOTING

- **Drawers not closing smoothly:** Check for any obstructions in the drawer slides. Ensure the slides are clean and free of debris. Verify that the cabinet is on a level surface.
- **Cabinet feels unstable:** Confirm that all assembly hardware is securely tightened. Ensure the anti-tip kit is properly installed and anchored to the wall. Avoid opening multiple drawers simultaneously.
- **Lock not engaging:** Ensure all drawers are fully closed before attempting to lock the cabinet. Check that the key is fully inserted and turned correctly.

SPECIFICATIONS

Feature	Detail
Brand	DEVAISE
Model Name	AWJG025 File Cabinet/BL
Product Dimensions	15.7"D x 17.71"W x 39.17"H
Material	Engineered Wood
Color	Black
Number of Drawers	3
Weight Limit	77 Pounds
Special Feature	Lockable
Assembly Required	Yes
Storage Options	Letter, A4

INTERLOCK SYSTEM



Image: A detailed specification diagram showing the overall dimensions and total load capacity of the DEVAISE 3-Drawer File Cabinet.

WARRANTY & SUPPORT

Your DEVAISE filing cabinet is designed for durability and functionality. For any questions or assistance, please contact DEVAISE customer support.

- **Returns:** This product is eligible for 30-day easy returns. Please refer to your purchase platform for specific return policies.
- **Customer Support:** For product support, assembly questions, or to report missing/damaged parts, please contact DEVAISE directly.