

## VEVOR SY-3/4HP-4P-B34-C

# VEVOR 3/4HP 1725 RPM Electric Motor

MODEL: SY-3/4HP-4P-B34-C

User Manual

## 1. Important Safety Instructions

Read and understand all safety warnings and instructions before installing, operating, or performing maintenance on this electric motor. Failure to follow these instructions may result in electric shock, fire, serious injury, or death.

- **Electrical Safety:** Always disconnect power at the source before performing any wiring, installation, or maintenance. Ensure proper grounding. All electrical work must be performed by a qualified electrician and comply with local electrical codes.
- **Rotating Parts:** Keep hands, clothing, and tools clear of all rotating parts during operation. Rotating shafts can cause severe injury.
- **Overload Protection:** This motor is equipped with overload protection. If the motor stops unexpectedly, allow it to cool down before attempting to reset the overload protector. Investigate the cause of the overload.
- **Ventilation:** Ensure adequate ventilation around the motor to prevent overheating. Do not block air vents.
- **Environment:** Do not operate the motor in wet or explosive atmospheres unless specifically designed for such conditions.
- **Secure Mounting:** Ensure the motor is securely mounted to a stable, vibration-free surface before operation.

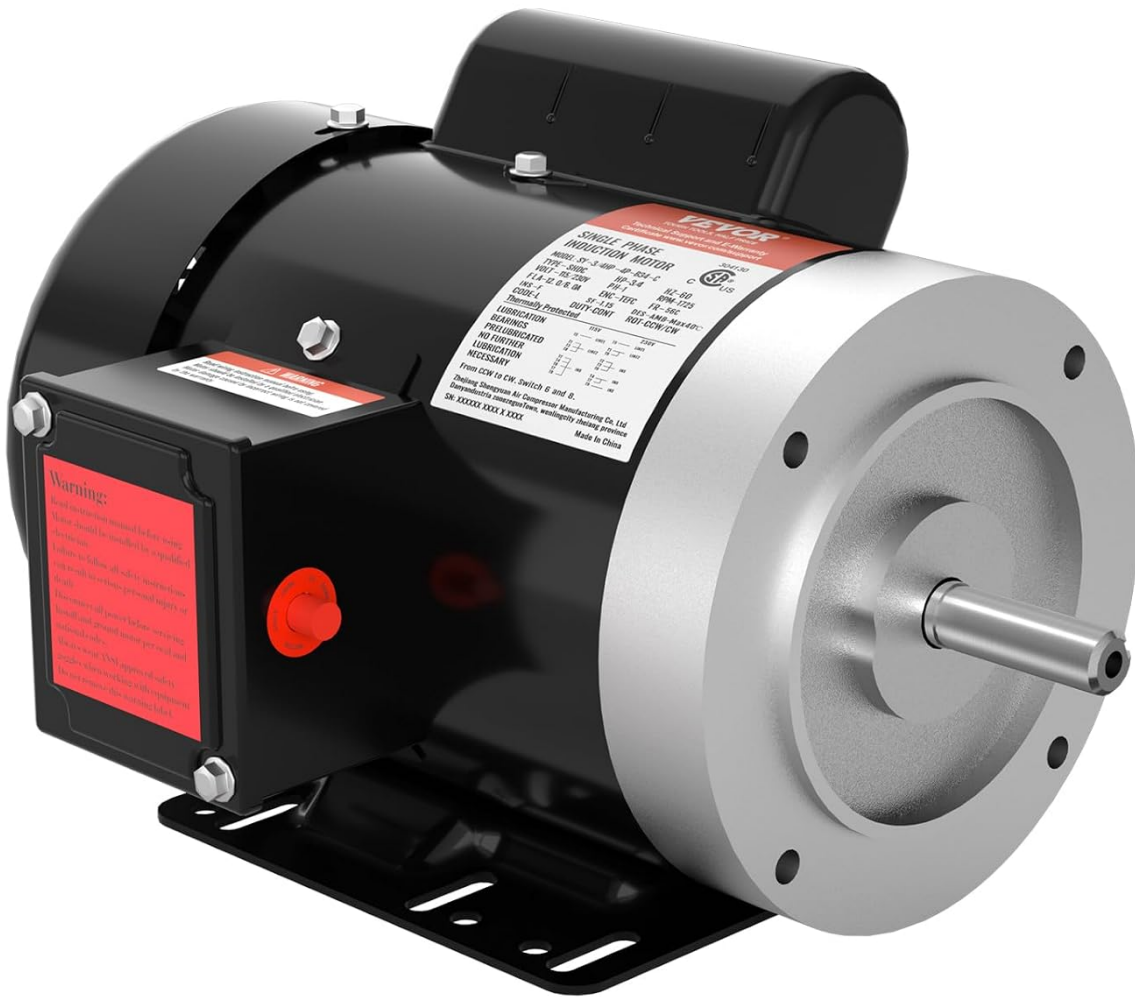


Image: VEVOR 3/4HP Electric Motor. Note the warning labels on the motor housing regarding electrical shock and rotating parts.

## 2. Product Overview

The VEVOR 3/4HP Electric Motor is a single-phase general-purpose motor designed for various industrial and agricultural applications. It features a robust construction and versatile performance characteristics.

- **High Performance:** Delivers 0.75 horsepower with a full load current of 12.0/6.0A at AC 115V/230V, 60Hz, achieving a high speed of 1725 RPM.
- **Robust Frame:** Features a 56C frame type with a 5/8" spindle and keyway, suitable for various mounting configurations.
- **Dual Rotation Direction:** Supports reversible CW/CCW rotation, allowing for flexible integration into different machinery.
- **Safety and Durability:** CSA tested, constructed with a heavy-duty laminated steel housing, and includes a manual reset overload protector for extended life and reliable operation.
- **Versatile Applications:** Ideal for water pumps, agricultural machinery, air compressors, and general equipment.

# 1725 RPM High-Speed Rotation

Effectively Improve Work Efficiency



Robust Power



Stable Performance



Extended Longevity

Image: Internal view of the motor highlighting its 1725 RPM high-speed rotation, robust power, stable performance, and extended longevity.

# Versatile Applications



**Agricultural Pump**



**Sprayer**



**Harvester**



**Grinder**

Image: Examples of versatile applications including agricultural pumps, sprayers, harvesters, and grinders.

## 3. Setup and Installation

Proper installation is crucial for the safe and efficient operation of the motor. Consult a qualified electrician for wiring if you are unsure.

### 3.1 Mounting the Motor

Secure the motor firmly to a stable, level, and vibration-free surface using appropriate fasteners. Ensure that the

mounting base is strong enough to support the motor's weight and operational forces. Allow sufficient clearance for ventilation and access for maintenance.



Image: The VEVOR electric motor securely mounted, illustrating its physical form and mounting points.

### 3.2 Electrical Wiring

This motor supports both 115V and 230V AC power. Refer to the wiring diagram provided on the motor's nameplate or inside the terminal box cover for specific connections. Ensure the power supply matches the motor's voltage requirements.

- **Grounding:** Always connect the motor to a proper electrical ground to prevent electric shock.
- **Overload Protection:** Ensure the circuit is protected by an appropriately sized circuit breaker or fuse.

### 3.3 Setting Rotation Direction (CW/CCW)

The motor supports both clockwise (CW) and counter-clockwise (CCW) rotation. The direction of rotation is determined by the internal wiring connections. Consult the wiring diagram on the motor's nameplate or within the terminal box for instructions on how to reverse the rotation direction. Typically, this involves swapping specific wire connections.

## 4. Operating Instructions

Once installed and wired correctly, the motor is ready for operation.

- **Pre-Operation Check:** Before starting, ensure all connections are secure, the motor is properly mounted, and there are no obstructions around rotating parts.
- **Starting the Motor:** Apply power to the motor. It should start smoothly and reach its operating speed of 1725 RPM.
- **Monitoring:** During operation, listen for unusual noises, excessive vibration, or signs of overheating. If any abnormalities are detected, immediately shut down the motor and investigate the cause.
- **Stopping the Motor:** Disconnect power to stop the motor.

## 5. Maintenance

Regular maintenance ensures the longevity and reliable performance of your VEVOR electric motor.

- **Cleaning:** Keep the motor clean and free from dust, dirt, and debris. Use compressed air to clear ventilation openings regularly.
- **Inspection:** Periodically inspect the motor for loose connections, worn wiring insulation, or signs of physical damage. Check mounting bolts for tightness.
- **Lubrication:** This motor is typically designed with sealed bearings that do not require periodic lubrication. Refer to the motor's nameplate or specific documentation for lubrication requirements if any.
- **Overload Protector Reset:** If the motor stops due to an overload, allow it to cool for several minutes before pressing the manual reset button. If the overload trips repeatedly, identify and resolve the cause (e.g., excessive load, low voltage, poor ventilation).

# Safe And Durable Structure



Overload Protection



High-Quality & Heavy-duty  
Rolled Steel Shell



Image: Detail of the motor highlighting the manual reset button for overload protection and the durable rolled steel housing.

## 6. Troubleshooting

Refer to the following table for common issues and their potential solutions.

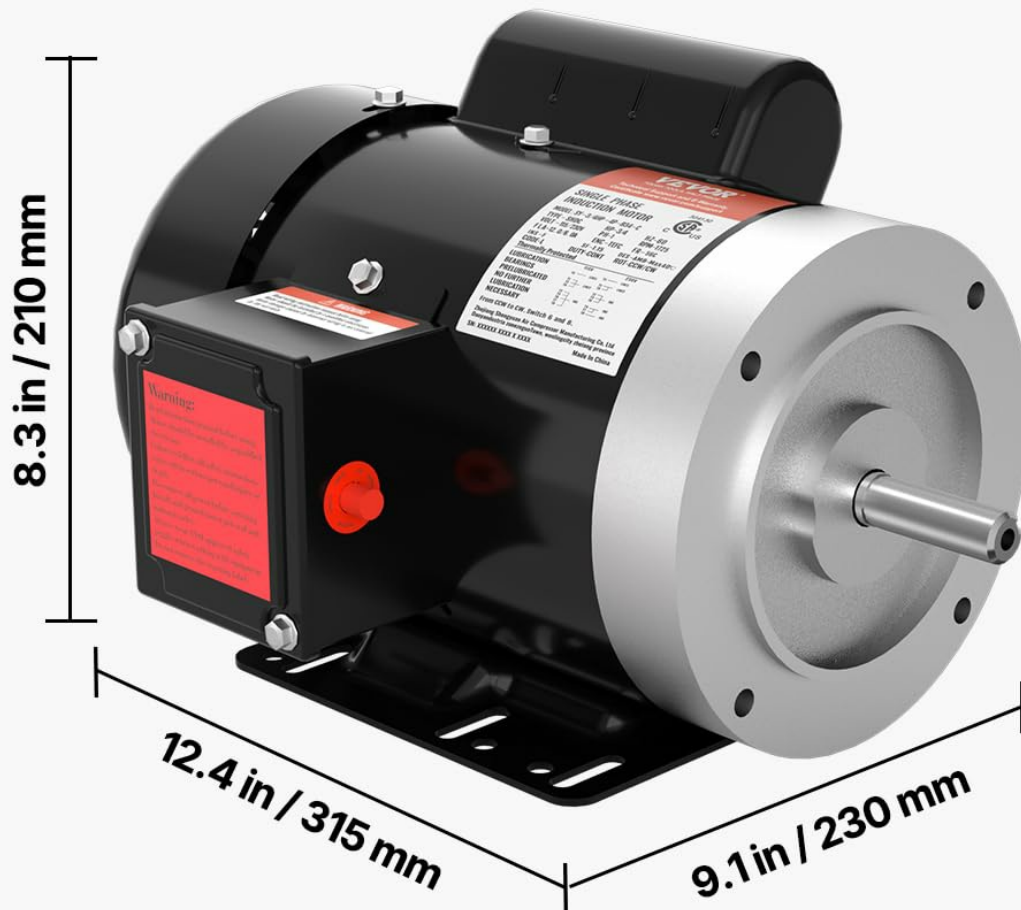
Problem	Possible Cause	Solution
---------	----------------	----------

Problem	Possible Cause	Solution
Motor does not start	<ul style="list-style-type: none"> <li>No power supply</li> <li>Overload protector tripped</li> <li>Incorrect wiring</li> <li>Motor seized</li> </ul>	<ul style="list-style-type: none"> <li>Check power connection and circuit breaker.</li> <li>Allow motor to cool, then press reset button. Reduce load if necessary.</li> <li>Verify wiring against diagram.</li> <li>Inspect for mechanical obstruction.</li> </ul>
Motor overheats	<ul style="list-style-type: none"> <li>Excessive load</li> <li>Poor ventilation</li> <li>Low voltage</li> <li>Frequent starts/stops</li> </ul>	<ul style="list-style-type: none"> <li>Reduce mechanical load on the motor.</li> <li>Clear obstructions from vents; ensure adequate airflow.</li> <li>Verify power supply voltage.</li> <li>Avoid rapid cycling; allow motor to cool.</li> </ul>
Excessive noise or vibration	<ul style="list-style-type: none"> <li>Loose mounting bolts</li> <li>Misaligned coupling</li> <li>Worn bearings</li> <li>Unbalanced load</li> </ul>	<ul style="list-style-type: none"> <li>Tighten all mounting bolts.</li> <li>Check and correct alignment of connected equipment.</li> <li>Contact VEVOR support for service.</li> <li>Balance the load if possible.</li> </ul>

## 7. Specifications

Specification	Value
Model Number	SY-3/4HP-4P-B34-C
Horsepower	0.75 HP
Voltage	AC 115V/230V
Frequency	60 Hz
Current (Full Load)	12.0A (115V) / 6.0A (230V)
Rotation Speed	1725 RPM
Frame Size	56C
Shaft Diameter	5/8 inch
Shaft Length	1.85 inches
Keyway Size	0.125 inches
Material	Copper (windings)
Net Weight	27.1 lbs / 12.3 kg
Product Dimensions (L x W x H)	12.4 x 9.1 x 8.3 inches / 315 x 230 x 210 mm

Specification	Value
Safety Standard	CSA Tested



Item Model Number: **SY-3/4HP-4P-B34-C**

Voltage: **AC 115V / 230V**

Frequency: **60Hz**

Horsepower: **0.75HP**

Current: **Current**

Frame Size: **56C**

Rotation Speed: **1725RPM**

Net Weight: **27.1lbs / 12.3 kg**

Product Dimensions: **12.4 x 9.1 x 8.3 in / 315 x 230 x 210 mm**

Image: Dimensional drawing and a summary of technical specifications for the motor, including model number, voltage, horsepower, and physical dimensions.

## 8. Warranty and Support

VEVOR is committed to providing high-quality products. For warranty information, product support, or technical assistance, please refer to the official VEVOR website or contact their customer service directly.

- **Return Policy:** This product may be eligible for a 30-day return policy through the retailer. Please check the specific return policy at the point of purchase.
- **Manufacturer Support:** For technical inquiries, parts, or warranty claims, please visit the [VEVOR Official Store](#) or contact VEVOR customer service.