

[Manuals.plus](#) /

› [MARK ADLER](#) /

› MARK ADLER Xeno 2.1 Electric Desk Frame User Manual

MARK ADLER Xeno 2.1

MARK ADLER Xeno 2.1 Electric Desk Frame User Manual

Model: Xeno 2.1

INTRODUCTION

Thank you for choosing the MARK ADLER Xeno 2.1 Electric Desk Frame. This manual provides essential information for the safe and efficient assembly, operation, and maintenance of your new electric sit-stand desk frame. Designed for ergonomic comfort, the Xeno 2.1 allows for easy height adjustment, promoting a healthier work environment. Please read these instructions carefully before use and retain them for future reference.

The MARK ADLER Xeno 2.1 Electric Desk Frame in white offers an ergonomic and modern solution for any workspace. Its quiet motor allows for easy height adjustment for both sitting and standing positions. The robust construction ensures maximum stability, and its elegant white design adapts to all interior styles. Easy to install, it is an ideal choice for home and professional offices, enabling you to create an ergonomic and aesthetic workspace.



Image: The MARK ADLER Xeno 2.1 Electric Desk Frame integrated into a modern office environment, showcasing its design and functionality.

SAFETY INFORMATION

- Ensure all components are present and undamaged before assembly.
- Do not exceed the maximum load capacity of 80 kg (176 lbs).
- Keep children and pets away from the desk during operation.
- Ensure there are no obstructions above or below the desk when adjusting height.
- Do not sit or stand on the desk frame.
- Only use the provided power adapter.
- If any unusual noise or movement occurs, discontinue use and consult the troubleshooting section or contact support.
- This product is intended for indoor use only.

PACKAGE CONTENTS

Please check the package contents against the list below. If any parts are missing or damaged, contact customer support.

- Electric Desk Frame (Legs and Crossbar)
- Control Panel with LCD Screen
- Power Adapter and Cable
- Assembly Hardware (screws, bolts, tools if included)
- Instruction Manual (this document)

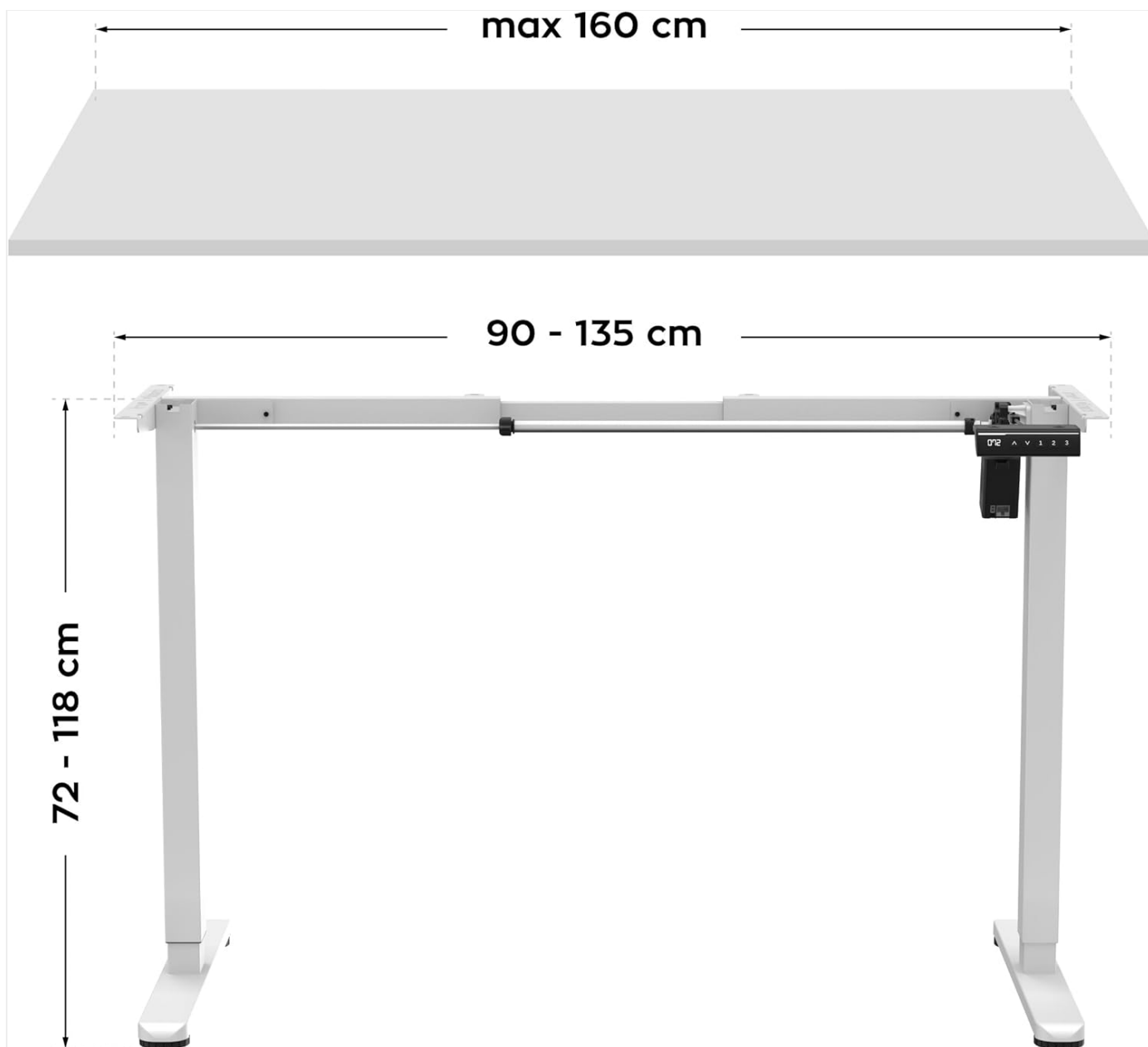


Image: Exploded view of the desk frame components, including the legs, crossbar, and control panel, with key dimensions indicated.

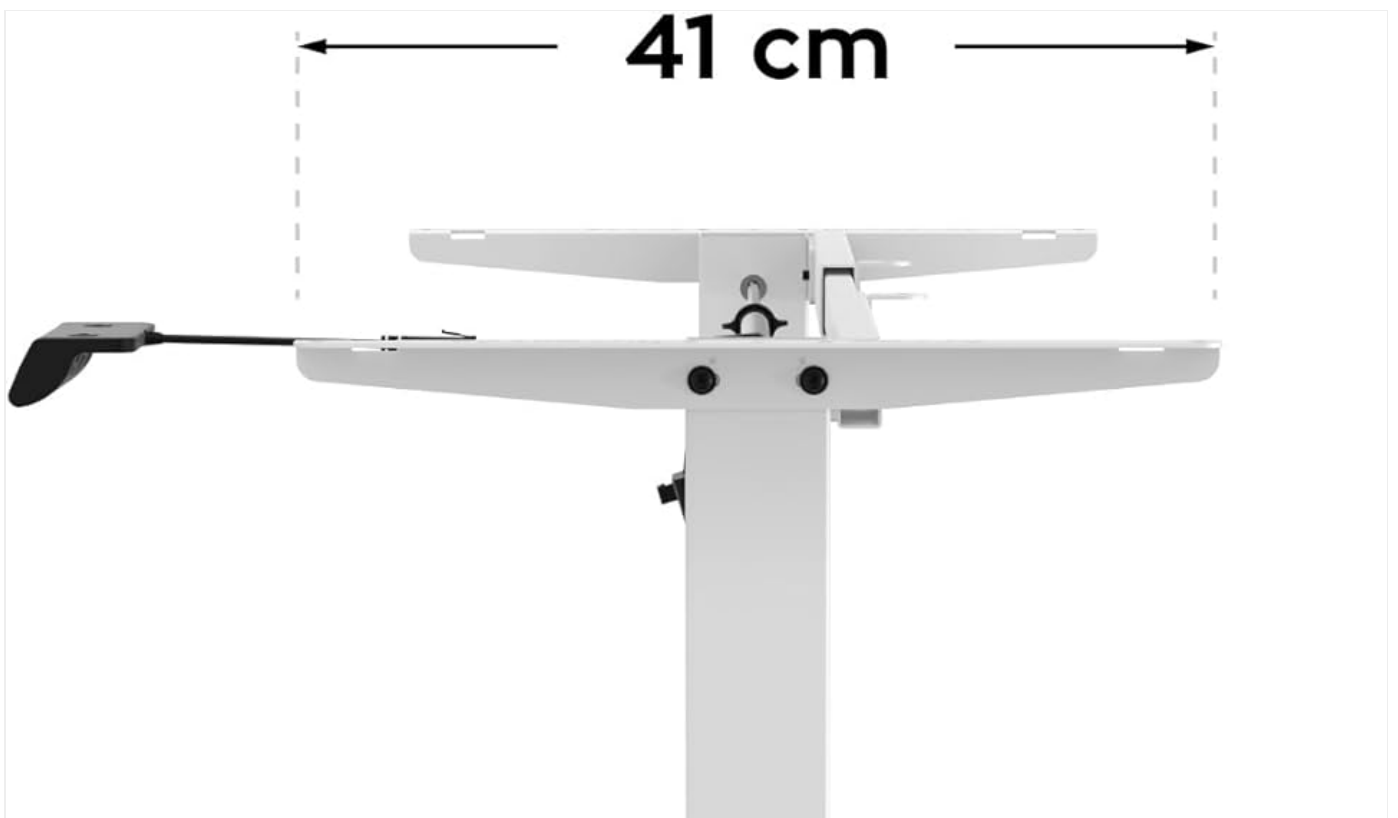
SETUP AND ASSEMBLY

The XENO 2.1 frame is designed for easy assembly. Follow these steps carefully. It is recommended to have two people for assembly.

1. **Unpack Components:** Carefully remove all parts from the packaging and lay them out on a clean, soft surface to prevent scratches.
2. **Attach Feet to Legs:** Secure the base feet to the bottom of each leg column using the provided screws.
3. **Connect Legs to Crossbar:** Attach the two leg columns to the central crossbar. Ensure the motor and control panel cables are routed correctly and not pinched.
4. **Install Control Panel:** Mount the control panel to the underside of your chosen desktop (not included) or to the frame itself, ensuring it is easily accessible.
5. **Attach Desktop:** Carefully place your desktop onto the assembled frame. Align the desktop and secure it to the frame using appropriate screws (ensure screws are not too long to penetrate the desktop surface).
6. **Connect Power:** Plug the power adapter into the control unit and then into a wall outlet.



Image: Side profile of the desk frame, highlighting its sturdy construction and the MARK ADLER logo on the leg, with dimensions of 41 cm depth and 58 cm width at the base.



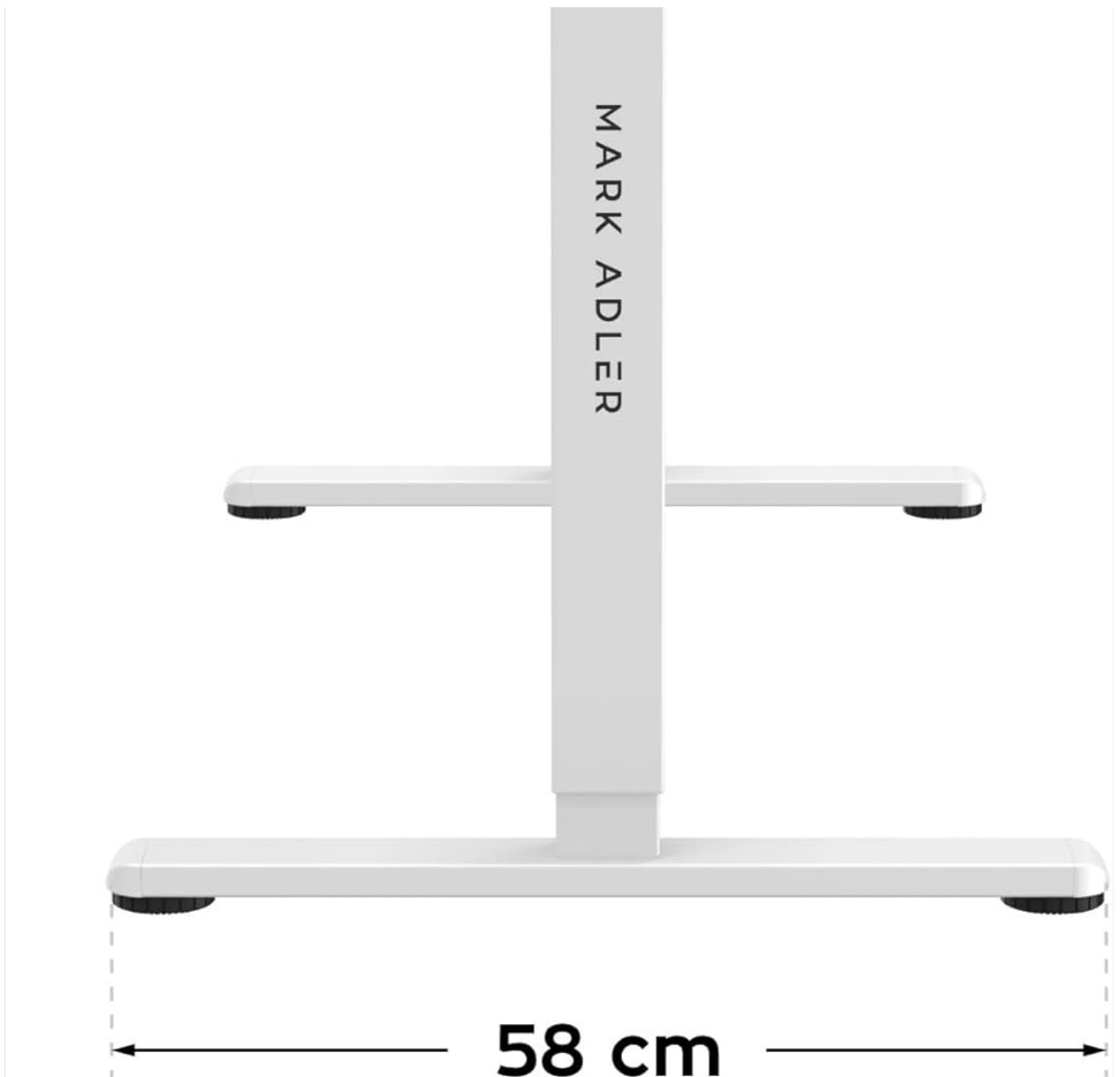


Image: An illustration demonstrating various desktop materials and finishes that can be paired with the desk frame, emphasizing its versatility.

OPERATING INSTRUCTIONS

The MARK ADLER Xeno 2.1 features an intuitive control panel for easy height adjustment and memory functions.



Image: A detailed view of the desk's control panel, showing the digital height display and buttons for up, down, and three memory presets (1, 2, 3).

Height Adjustment:

- **Raise Desk:** Press and hold the **Up (^)** button to raise the desk. Release the button when the desired height is reached.
- **Lower Desk:** Press and hold the **Down (v)** button to lower the desk. Release the button when the desired height is reached.
- The current height is displayed on the LCD screen.

Memory Presets:

The desk allows you to save up to three preferred height settings.

1. Set a Memory Position:

- Adjust the desk to your desired height using the Up/Down buttons.
- Press and hold one of the numbered memory buttons (**1, 2, or 3**) for a few seconds until the display flashes or beeps to confirm the height is saved.

2. Recall a Memory Position:

- Press the desired numbered memory button (**1, 2, or 3**). The desk will automatically move to the saved height.



Image: The MARK ADLER Xeno 2.1 desk frame with a light wood desktop, illustrating the placement of the control panel for easy access.

MAINTENANCE

Regular maintenance ensures the longevity and optimal performance of your desk frame.

- **Cleaning:** Wipe the desk frame with a soft, damp cloth. Avoid abrasive cleaners or solvents.
- **Cable Management:** Periodically check all cables for wear or damage. Ensure they are neatly organized and not interfering with the desk's movement.
- **Fasteners:** Occasionally check all screws and bolts to ensure they are tight. Do not overtighten.
- **Motor Care:** The motor is maintenance-free. Avoid exposing it to excessive dust or moisture.

TROUBLESHOOTING

If you encounter any issues with your MARK ADLER Xeno 2.1 desk frame, please refer to the following common problems and solutions.

Problem	Possible Cause	Solution
Desk does not move.	Power cable disconnected, motor overload, or reset needed.	Check power connections. Unplug and replug the power cable. Perform a reset (refer to specific reset instructions if available, otherwise contact support).
Uneven movement or shaking.	Loose fasteners, uneven load, or damaged component.	Ensure all assembly screws are tight. Distribute weight evenly on the desktop. If problem persists, contact support.
Error code on display.	Specific system error.	Note the error code and consult the manufacturer's support for specific guidance. A power cycle (unplug, wait 30 seconds, replug) may resolve minor errors.
Desk stops mid-movement.	Overload protection activated, or obstruction.	Remove some weight from the desk. Check for any obstructions. Wait a few minutes for the motor to cool down if it was continuously operated.

If the problem persists after attempting these solutions, please contact MARK ADLER customer support.

SPECIFICATIONS

Key technical specifications for the MARK ADLER Xeno 2.1 Electric Desk Frame.

Feature	Detail
Brand	MARK ADLER
Model Name	Xeno 2.1 Electric Sit-Stand Desk Frame
Color	White
Material	Metal
Lift Mechanism	Electric
Minimum Height	73 cm (28.7 inches)
Maximum Height	119 cm (46.9 inches)
Recommended Max Load	80 kg (176 lbs)
Special Features	LCD Screen, Electric, Ergonomic, 3 Position Memory, Height Adjustable
Assembly Required	Yes
Country of Origin	China

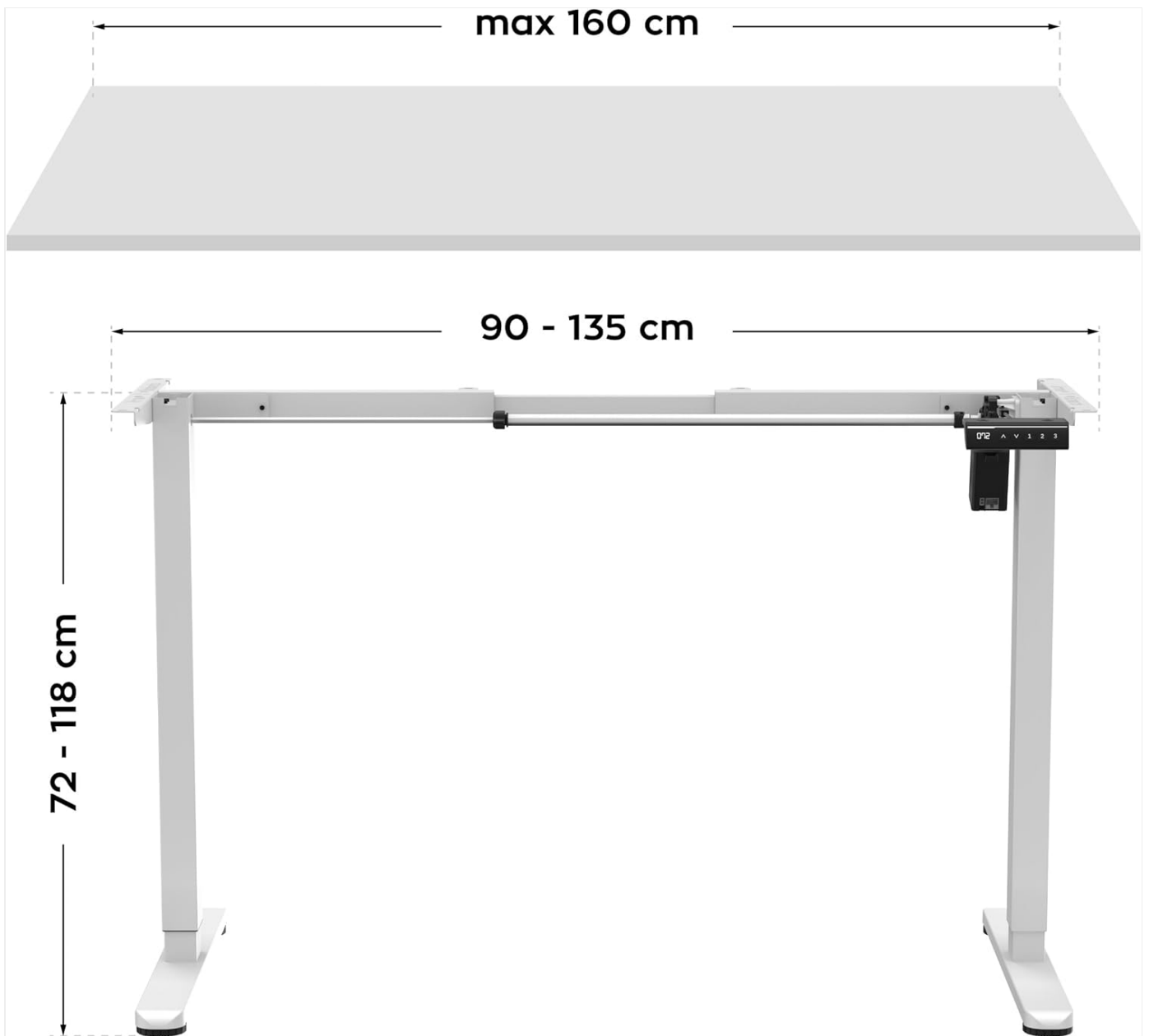


Image: Technical drawing with detailed dimensions of the desk frame, indicating adjustable height range and compatible desktop width.

WARRANTY AND SUPPORT

For warranty information and customer support, please refer to the documentation included with your purchase or visit the official MARK ADLER website. You may also contact the seller directly for assistance.

Seller: [Meestergroup](#)

