

[Manuals.plus](#) /

> [HOUROM](#) /

> HOUROM White 6-Drawer Double Dresser Instruction Manual HRMDSR002WH-1

## HOUROM HRMDSR002WH-1

# HOUROM White 6-Drawer Double Dresser Instruction Manual

Model: HRMDSR002WH-1

## INTRODUCTION

---

Thank you for choosing the HOUROM White 6-Drawer Double Dresser. This manual provides essential information for the safe assembly, operation, and maintenance of your new furniture. Please read these instructions carefully before beginning assembly and retain them for future reference.



Image: The HOUROM White 6-Drawer Double Dresser, showcasing its modern design with black knobs.

## IMPORTANT SAFETY INFORMATION

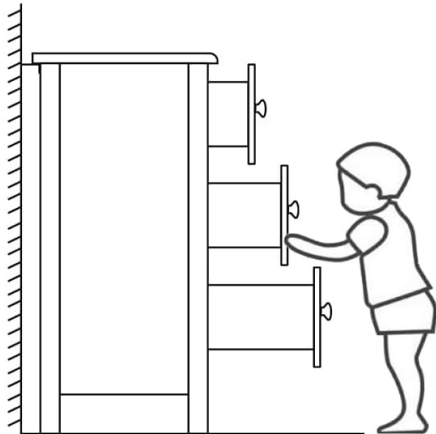
---

To prevent serious injury, always follow these safety precautions:

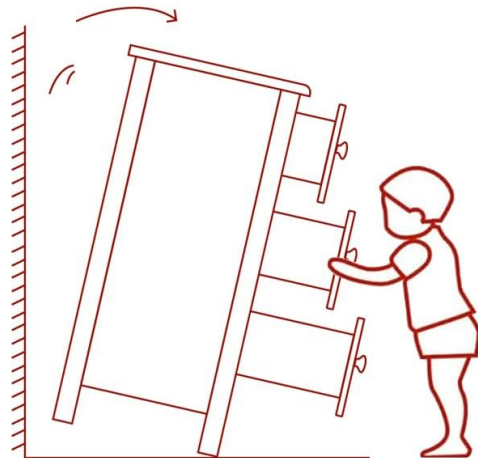
- **Anti-Tipping Device:** This dresser includes an anti-tipping device. It is crucial to install this device to securely anchor the dresser to a wall. Failure to do so can result in furniture tip-over, leading to severe or fatal injuries.
- **Weight Distribution:** Do not overload drawers. Distribute weight evenly. Place heavier items in lower drawers.
- **Children:** Never allow children to climb on drawers or the dresser. Keep hands clear when opening and closing drawers.
- **Assembly:** Ensure all parts are correctly assembled and fasteners are tightened before use. Periodically check and re-tighten fasteners as needed.

# Anti-dumping Device

✓ with Anti-tipping device



✗ without Anti-tipping device



VS



Anti overturning device

Image: Diagram illustrating the importance and installation of the anti-tipping device to prevent furniture from overturning.

## SETUP AND ASSEMBLY

The HOUROM 6-Drawer Dresser is designed for straightforward assembly. Detailed instructions and labeled accessories are included in the packaging. Assembly typically requires two people and can be completed in approximately 40 minutes.

### Assembly Steps:

1. Unpack all components and verify against the parts list provided in your assembly guide.
2. Follow the step-by-step instructions to construct the dresser frame.
3. Assemble the six drawers, ensuring the smooth metal glides are correctly installed.
4. Install the black knobs on each drawer front.
5. **Crucial Step:** Install the anti-tipping device as per the included instructions to secure the dresser to a wall.

For visual guidance on the dresser's features and stability, please refer to the official product video below:

Your browser does not support the video tag.

Video: Official HOUROM White Dresser product video, demonstrating its features, ample storage, and smooth drawer operation.

## OPERATING INSTRUCTIONS

---

This dresser features six spacious drawers designed for organizing various items. The smooth metal glides ensure easy opening and closing.

- **Drawer Usage:** Gently pull the black knobs to open drawers and push to close. Avoid forcing drawers.
- **Weight Capacity:** The top surface of the dresser can support up to 150 lbs. Each individual drawer has a weight capacity of 40 lbs. Do not exceed these limits to maintain structural integrity and safety.
- **Versatile Placement:** This dresser is suitable for various rooms, including bedrooms, hallways, and entryways. Its wide tabletop can accommodate lamps, decorative items, or even serve as a TV stand.



Image: The dresser with multiple drawers open, demonstrating its large storage capacity for clothing and other personal items.

# Product Size

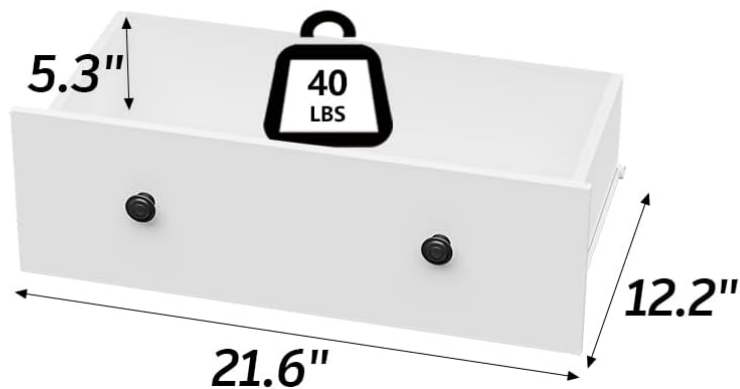


Image: Detailed diagram showing the overall dimensions of the dresser (47.2"W x 15.7"D x 31.5"H) and individual drawer dimensions (21.6"W x 12.2"D x 5.3"H), along with weight capacities for the top (150 lbs) and drawers (40 lbs).

## CARE AND MAINTENANCE

---

Proper care will extend the life and appearance of your dresser:

- **Cleaning:** The dresser is coated with water-based varnish, making it waterproof and easy to clean. Wipe surfaces with a soft, damp cloth. Avoid harsh chemicals or abrasive cleaners.
- **Spills:** Promptly wipe up any spills to prevent staining or damage to the finish.
- **Hardware:** Periodically check all screws and fasteners to ensure they are tight. Re-tighten as necessary to maintain stability.
- **Avoid Direct Sunlight:** Prolonged exposure to direct sunlight can cause fading or discoloration.

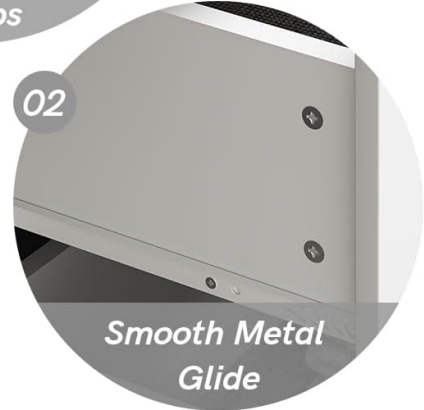
## More Design

01



Metal Drawer knobs

02



Smooth Metal Glide

03



Waterproof Tabletop



Image: Close-up view highlighting key design elements: durable metal drawer knobs, smooth metal drawer glides, and the waterproof tabletop surface.

## TROUBLESHOOTING

If you encounter any issues with your dresser, refer to these common solutions:

- **Drawers not closing smoothly:** Check if the drawer glides are properly aligned and free of obstructions. Ensure the drawer is not overloaded.
- **Dresser feels unstable:** Verify that all assembly screws are tightened. Confirm the anti-tipping device is securely installed to the wall. Ensure the dresser is on a level surface.
- **Missing parts:** If any parts are missing upon arrival, please contact customer support immediately.

## SPECIFICATIONS

Feature	Detail
Brand	HOUROM
Model Name	HRMDSR002WH-1

Product Dimensions	15.72"D x 47.22"W x 31.52"H
Color	White
Material	Engineered Wood
Number of Drawers	6
Item Weight	84.7 Pounds
Assembly Required	Yes

## CUSTOMER SUPPORT

---

If you have any questions, require assistance with assembly, or need to report missing/damaged parts, please do not hesitate to contact HOUROM customer support. We are committed to providing a response within 24 hours to resolve any issues you may have.

Please refer to your purchase documentation or the HOUROM official website for specific warranty details and contact information.