

## JIVOIT 36-inch Wall Mounted Bathroom Vanity

# JIVOIT 36-inch Wall Mounted Bathroom Vanity Instruction Manual

Model: 36-inch Wall Mounted Bathroom Vanity

Brand: JIVOIT

### IMPORTANT SAFETY INFORMATION

---

Please read and understand all instructions before beginning assembly and installation. Failure to follow these instructions may result in injury or product damage. Keep this manual for future reference.

- Always use appropriate safety equipment, such as safety glasses and gloves, during assembly and installation.
- Ensure the wall structure is capable of supporting the weight of the vanity and its contents. Consult a professional if unsure.
- Two to three adults are recommended for assembly and installation due to the size and weight of the vanity.
- Do not overtighten fasteners, as this may cause damage to the product.
- Keep small parts away from children during assembly.
- Verify all parts are present before beginning assembly.

### PACKAGE CONTENTS

---

Carefully unpack all components and check against the list below. If any parts are missing or damaged, contact customer support before proceeding.

- Bathroom Vanity Cabinet (MDF)
- Resin Sink
- Hardware (Hinges, Handles, Fasteners)
- Assembly Manual
- Assembly Tools



Image: Overview of the vanity with its storage compartments open.

## SPECIFICATIONS

Feature	Detail
Overall Product Dimensions	36" (W) x 18" (D) x 20.3" (H)
Storage Cabinet Dimensions	35.5" (W) x 17.9" (D) x 19.3" (H)
Basin Sink Dimensions	36" (W) x 18" (D) x 6.5" (H)
Inner Basin Dimensions	23" (L) x 12.8" (W)
Overall Product Weight	84.10 lbs
Material (Cabinet)	MDF (Engineered Wood)
Material (Sink)	Resin
Number of Drawers	2

Number of Cabinets	2
Weight Capacity (Overall)	220.46 lbs
Weight Capacity (Panel)	66.14 lbs
Weight Capacity (Drawer)	11.02 lbs
Assembly Required	Yes (All Assembly Required)
Recommended Assembly Personnel	2-3 Adults

## SIZE: INCH

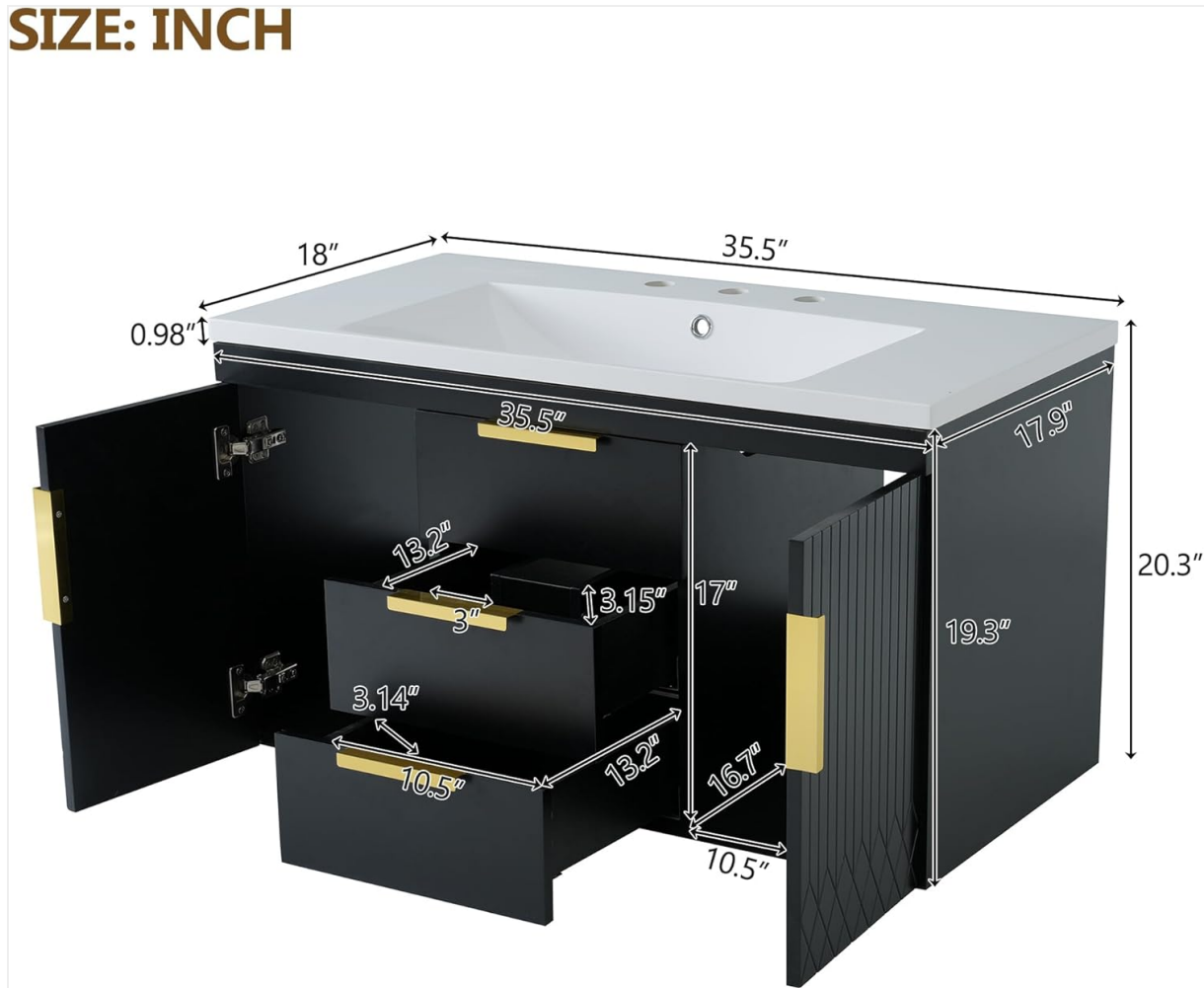


Image: Detailed dimensions of the vanity cabinet.

## SIZE: INCH

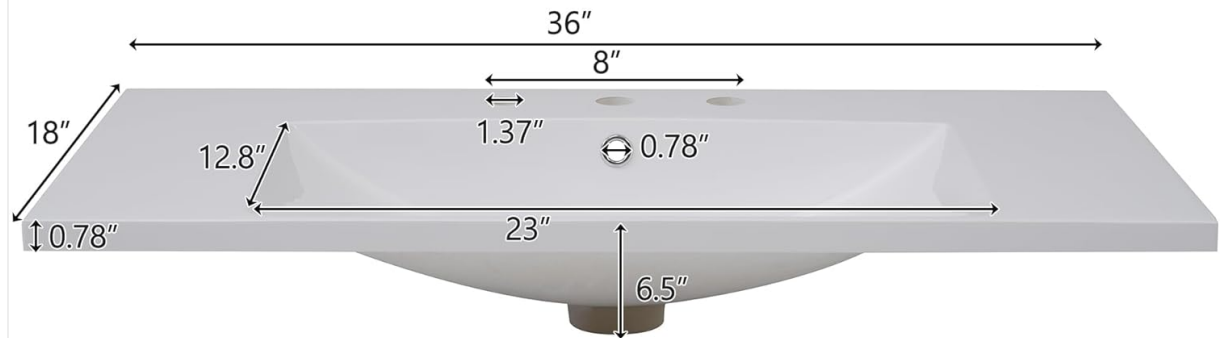


Image: Detailed dimensions of the resin sink.

## SETUP AND INSTALLATION

This section provides general guidance for assembling and installing your wall-mounted bathroom vanity. Refer to the included detailed assembly instruction guide for specific step-by-step procedures and diagrams.

### Pre-Installation Checks:

- **Wall Suitability:** Ensure the wall (drywall, wooden wall, solid wall, or plastered wall) is structurally sound and can support the vanity's weight.
- **Tools:** Gather all necessary tools as specified in the assembly guide.
- **Faucet Compatibility:** Prepare an 8-inch center faucet (not included) to match the basin.
- **Plumbing Access:** Plan for plumbing access through the vanity's designated holes.

### Assembly Steps (General):

1. Assemble the vanity cabinet structure according to the provided diagrams.
2. Install the premium hinges onto the cabinet doors.
3. Attach the rust-resistant handles to the drawers and cabinet doors.
4. Secure the resin sink to the top of the vanity cabinet.
5. Mount the vanity to the wall using the extra cleat for additional support, ensuring it is level and securely fastened.
6. Connect plumbing for the faucet and drain (professional installation recommended for plumbing).



**Glossy Resin Countertop**



**8" Centerset faucet will fit this product**  
(faucet not included)



**Plumbing Access Holes**



**36" Modern Wall Mounted Bathroom Vanity**



**Overflow Design**



**Premium Hinges**



**Premium MDF Boards**

Image: Key features and components of the vanity.



**Waterproof Painted Finish**



**Wall Mounted Design:  
Easy to Clean**



**Rust-resistant Handles**



**High-quality Hardware**

Image: Details of the vanity's finish, design, handles, and hardware.

### Installation Video:

Your browser does not support the video tag.

Video: This video demonstrates the large storage space and general features of a similar bathroom vanity, providing visual context for installation and use.

## OPERATING INSTRUCTIONS

The JIVOIT Wall Mounted Bathroom Vanity is designed for convenient daily use. It features two drawers and two storage cabinets for organizing your bathroom essentials.

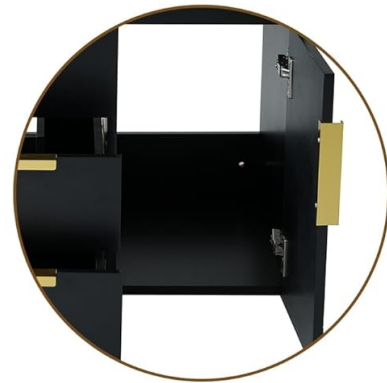
- **Drawers:** Gently pull the handles to open the drawers. Avoid overloading to ensure smooth operation and prevent damage.
- **Cabinets:** Open the cabinet doors by pulling the handles. The internal space can be used for larger items.
- **Sink:** The resin sink is designed for standard bathroom use. Ensure the faucet is properly installed and sealed to prevent leaks.

# Sufficient Storage Space

Make your bathroom tidy and organized



**2 Drawers**



**2 Storage Cabinets**

Image: Demonstration of the vanity's storage capacity with drawers and cabinets.

## MAINTENANCE

Proper maintenance will extend the life and appearance of your JIVOIT bathroom vanity.

- **Cleaning the Cabinet:** Wipe the cabinet surfaces with a soft, damp cloth. Avoid abrasive cleaners or harsh chemicals that could damage the waterproof painted finish.
- **Cleaning the Resin Sink:** The smooth surface of the resin sink is easy to care for. Clean with mild soap and water. Do not use abrasive pads or strong chemical cleaners, which can scratch or dull the finish.
- **Hardware:** Periodically check and tighten any loose screws on hinges and handles. The handles are rust-resistant, but regular cleaning helps maintain their appearance.
- **Spills:** Wipe up spills immediately, especially on the cabinet, to prevent moisture damage.

## TROUBLESHOOTING

If you encounter any issues with your JIVOIT bathroom vanity, refer to the following common solutions:

- **Loose Components:** If drawers or doors feel loose, check the assembly screws and tighten them as needed.
- **Water Leaks:** Inspect all plumbing connections under the sink. Ensure the faucet and drain are properly sealed. If leaks persist, consult a qualified plumber.

- **Drawers Sticking:** Check for any obstructions in the drawer slides. Ensure the drawers are not overloaded.
- **Color Discrepancy:** Note that the color of the actual product may vary slightly from images due to lighting, screen settings, and resolutions. This is not a defect.

For issues not covered here, or if problems persist, please contact JIVOIT customer support.

## **WARRANTY AND SUPPORT**

---

For any questions regarding assembly, missing parts, or product functionality, please contact JIVOIT customer support. Our team is available to assist you as soon as possible.

Please retain your purchase receipt for any warranty claims. Specific warranty details may be provided with your purchase documentation.