

## Manuals+

[Q & A](#) | [Deep Search](#) | [Upload](#)

manuals.plus /

- › [DREAMODERN](#) /
- › [DREAMODERN 84.6-inch Sectional Curved Sofa User Manual](#)

### DREAMODERN 84.6-inch Sectional Curved Sofa



# DREAMODERN 84.6-inch Sectional Curved Sofa

## USER MANUAL

### 1. Introduction

---

Thank you for choosing the DREAMODERN 84.6-inch Sectional Curved Sofa. This manual provides essential information for the safe assembly, operation, and maintenance of your new furniture. Please read these instructions carefully before beginning assembly and retain them for future reference.



Image 1.1: The DREAMODERN 84.6-inch Sectional Curved Sofa, featuring a modern design with chenille fabric and decorative throw pillows.

## 2. Safety Instructions

- Always assemble the sofa on a soft, clean surface to prevent damage.
- Ensure all bolts and screws are securely tightened before use. Periodically check and retighten as necessary.
- Do not stand on the sofa or use it as a step stool.
- Keep small parts away from children during assembly to avoid choking hazards.
- The maximum weight limit for each seat is 220 pounds. Do not exceed this limit.
- Avoid placing the sofa near open flames or excessive heat sources.

## 3. Package Contents

Please verify that all components are present before beginning assembly. If any parts are missing or damaged, contact customer support.

- Sofa Sections (2)
- Sofa Legs (6)
- Decorative Throw Pillows (5)
- Assembly Hardware (bolts, washers, Allen wrench)
- Instruction Manual (this document)

## 4. Setup and Assembly

Assembly of this sofa is designed to be straightforward. Follow these steps carefully:

1. **Unpack Components:** Carefully remove all parts from the packaging. Place them on a soft, clean surface to prevent scratches.
2. **Attach Legs:** Locate the pre-drilled holes on the underside of each sofa section. Align the sofa legs with these holes and secure them using the provided bolts and Allen wrench. Ensure all legs are firmly attached.
3. **Connect Sofa Sections:** Position the two sofa sections together. Use the integrated connectors (if present) on the sides of the sections to link them securely. Push down firmly until they click into place.
4. **Place Pillows:** Arrange the five decorative throw pillows on the sofa as desired.
5. **Final Check:** Verify that all connections are secure and the sofa is stable before use.

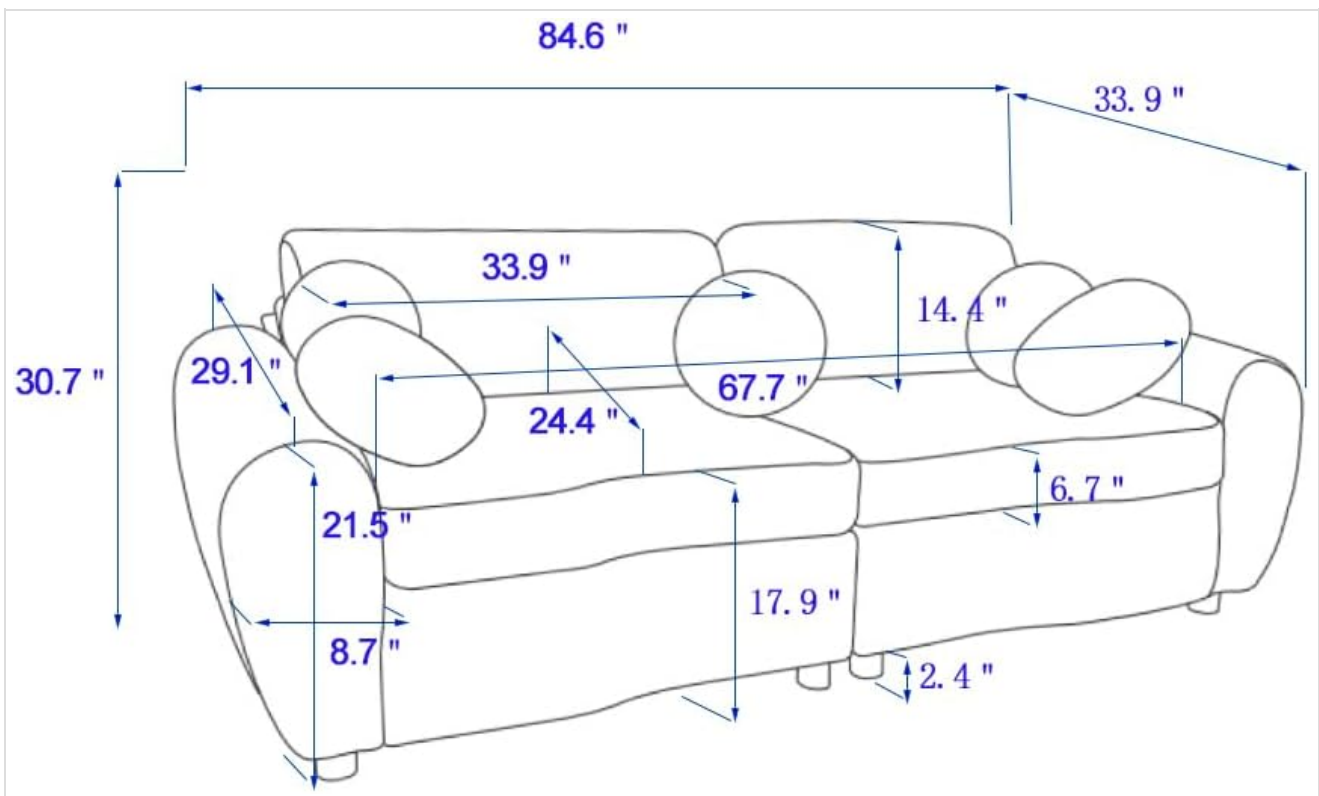


Image 4.1: Dimensional diagram of the sofa, illustrating overall width, depth, and height, along with individual cushion measurements.

## 5. Operating and Usage

The DREAMODERN Sectional Curved Sofa is designed for comfortable seating in living rooms, apartments, or offices. Its curved design and chenille fabric provide a cozy and inviting experience.

- **Seating Capacity:** This sofa is designed to comfortably seat up to 3 individuals.
- **Weight Distribution:** For optimal longevity, distribute weight evenly across the seating area.

- **Pillow Arrangement:** The five decorative throw pillows can be arranged to enhance comfort and aesthetic appeal.

Your browser does not support the video tag.

Video 5.1: An overview of the DREAMODERN 84.6-inch Sectional Curved Sofa, showcasing its design, fabric texture, and overall appearance in a living room setting.

## 6. Maintenance

---

Proper care will extend the life and appearance of your sofa.

- **Regular Cleaning:** Vacuum the chenille fabric regularly using a soft brush attachment to remove dust and debris.
- **Spot Cleaning:** For spills, blot immediately with a clean, dry cloth. Do not rub, as this can spread the stain. For stubborn stains, use a mild fabric cleaner specifically designed for chenille, testing on an inconspicuous area first.
- **Avoid Direct Sunlight:** Prolonged exposure to direct sunlight can cause fabric fading. Position your sofa away from direct sun or use window coverings.
- **Rotate Cushions:** Periodically rotate and fluff the seat and back cushions to maintain their shape and even out wear.



**Good support**

**Solid wood leg**

**Comfortable fabric**

Image 6.1: Detailed views highlighting the sofa's construction: resilient cushioning for good support, sturdy solid wood legs, and the soft, comfortable chenille fabric.

## 7. Troubleshooting

If you encounter any issues with your sofa, refer to the following common problems and solutions:

Problem	Possible Cause	Solution
Sofa feels wobbly	Legs are not tightened or unevenly installed.	Check and tighten all leg bolts. Ensure legs are installed correctly and evenly.
Fabric appears flattened or creased	Normal wear or prolonged pressure.	Fluff and rotate cushions regularly. Gentle steaming may help with creases.
Sections are separating	Connectors are not fully engaged.	Ensure the sofa sections are pushed together firmly and the integrated connectors are locked.

## 8. Specifications

- **Brand:** DREAMODERN
- **Model:** 84.6-inch Sectional Curved Sofa
- **Product Dimensions (D x W x H):** 33.9" x 84.6" x 30.7"
- **Seating Capacity:** 3
- **Upholstery Fabric Type:** Chenille
- **Frame Material Type:** Wood
- **Style:** Modern
- **Shape:** Curved
- **Color:** Yellow (for this specific model)
- **Weight Limit per Seat:** 220 pounds

## 9. Warranty and Support

---

DREAMODERN stands behind the quality of its products. For specific warranty information, please refer to the documentation included with your purchase or contact DREAMODERN customer support directly. If you have any questions, require assistance with assembly, or need to report missing/damaged parts, please reach out to our support team.

**Contact Information:** Please refer to your purchase receipt or the DREAMODERN official website for the most current customer service contact details.