

JingGang JG-8012-6-HS

JingGang JG-8012-6-HS Matte Black Shower System User Manual

Model: JG-8012-6-HS

1. INTRODUCTION

This manual provides detailed instructions for the installation, operation, and maintenance of your JingGang Matte Black Shower System. Please read this manual thoroughly before installation and retain it for future reference.

The JingGang Matte Black Shower System is designed to provide a comprehensive showering experience, featuring a 12-inch ceiling mount shower head, a 6-inch wall mount shower head, and a handheld shower. The system includes an all-metal construction, a solid brass mixing valve, and 304 stainless steel shower heads with silicone nozzles for durability and ease of cleaning.

2. PRODUCT COMPONENTS

Verify that all components listed below are present and undamaged before beginning installation.

- Ceiling Mounted 12-Inch Shower Head
- Wall Mounted 6-Inch Shower Head
- Handheld Shower
- Handheld Shower Holder
- Shower Arms (for ceiling and wall mounts)
- Rough-in Valve
- Mixing Valve Trim and Handle
- All necessary installation hardware



Figure 2.1: Overview of all included shower system components.

3. SPECIFICATIONS

Feature	Specification
Brand	JingGang
Model Number	JG-8012-6-HS

Color	Matte Black
Material	Brass (mixing valve), Stainless Steel (shower heads), Metal (handle)
Finish Type	Matte
Number of Handles	1
Mounting Type	Wall Mount, Ceiling Mount
Ceiling Shower Head Size	12 Inch
Wall Shower Head Size	6 Inch
Item Weight	11.08 pounds (5.04 Kilograms)
Product Dimensions	13 x 5.7 x 17.7 inches

4. INSTALLATION INSTRUCTIONS

4.1 Pre-Installation Checklist

- Ensure all components are present and undamaged.
- Turn off the main water supply before starting installation.
- Consult a professional plumber if you are unsure about any steps.
- Gather necessary tools (e.g., wrench, pipe sealant, measuring tape).

4.2 Rough-in Valve Installation

The rough-in valve is the core component for controlling water flow and temperature. Install it securely within the wall according to local plumbing codes and the dimensional drawing.

Dimensional drawing

unit:inch

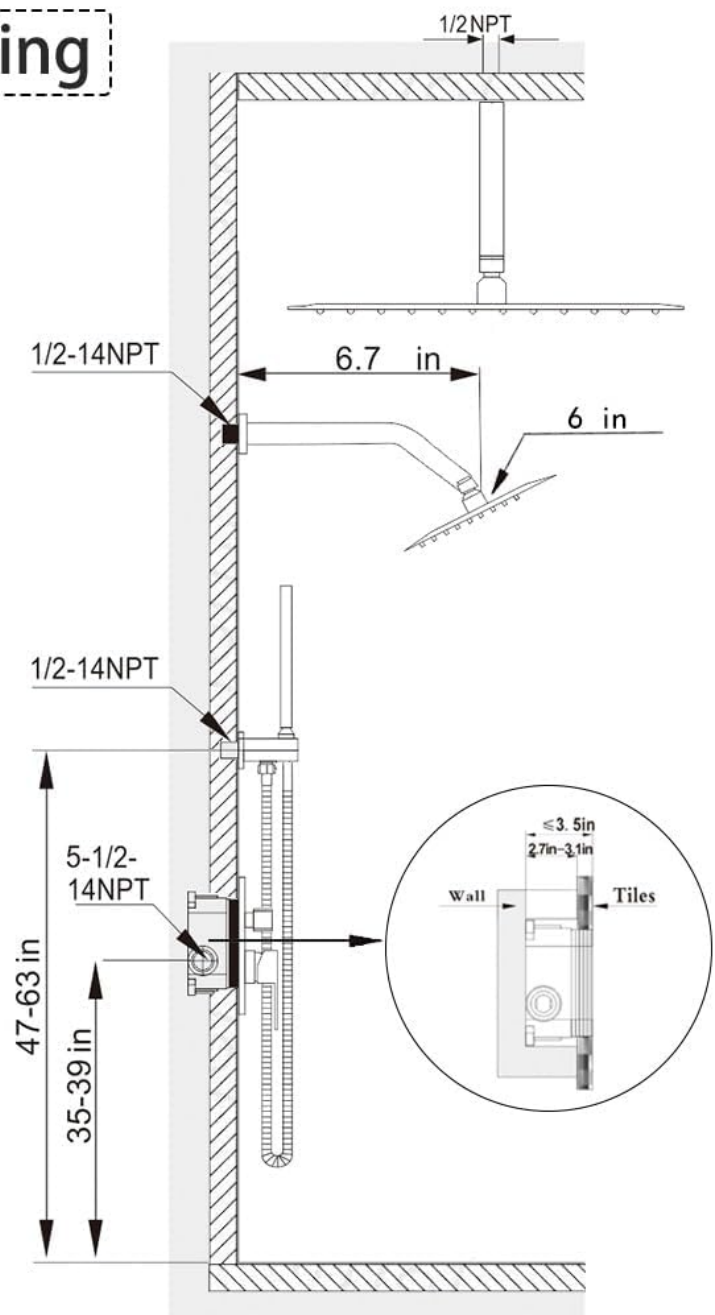
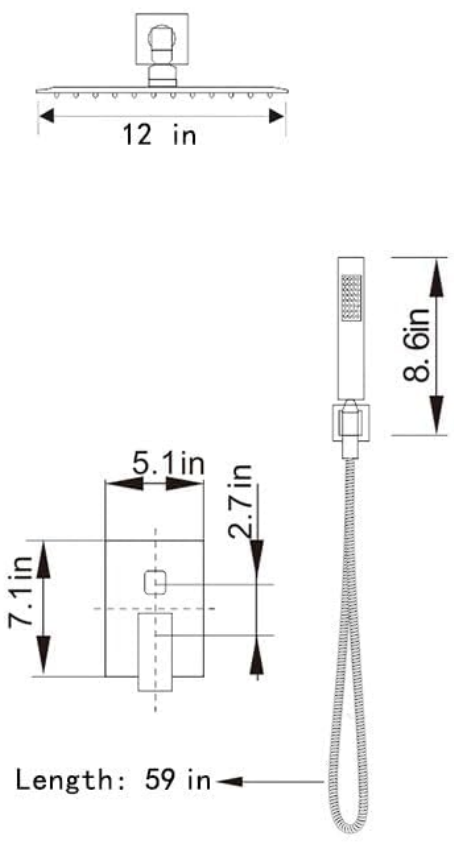


Figure 4.1: Rough-in valve diagram with labeled connections.

Connect the hot and cold water lines to the designated inlets. Ensure proper sealing to prevent leaks. The valve features three water outlets: one for the handheld shower, one for the ceiling shower head, and one for the wall mount shower head.

4.3 Shower Head and Handheld Installation

1. **Ceiling Mount Shower Head:** Install the ceiling shower arm into the designated outlet from the rough-in valve. Secure the 12-inch ceiling shower head to the arm. Ensure the connection is tight and sealed.
2. **Wall Mount Shower Head:** Install the wall shower arm into its designated outlet. Attach the 6-inch wall mount shower head to the arm.
3. **Handheld Shower:** Connect the handheld shower hose to its dedicated outlet. Mount the handheld shower holder at a convenient height on the wall. Attach the handheld shower to the hose.

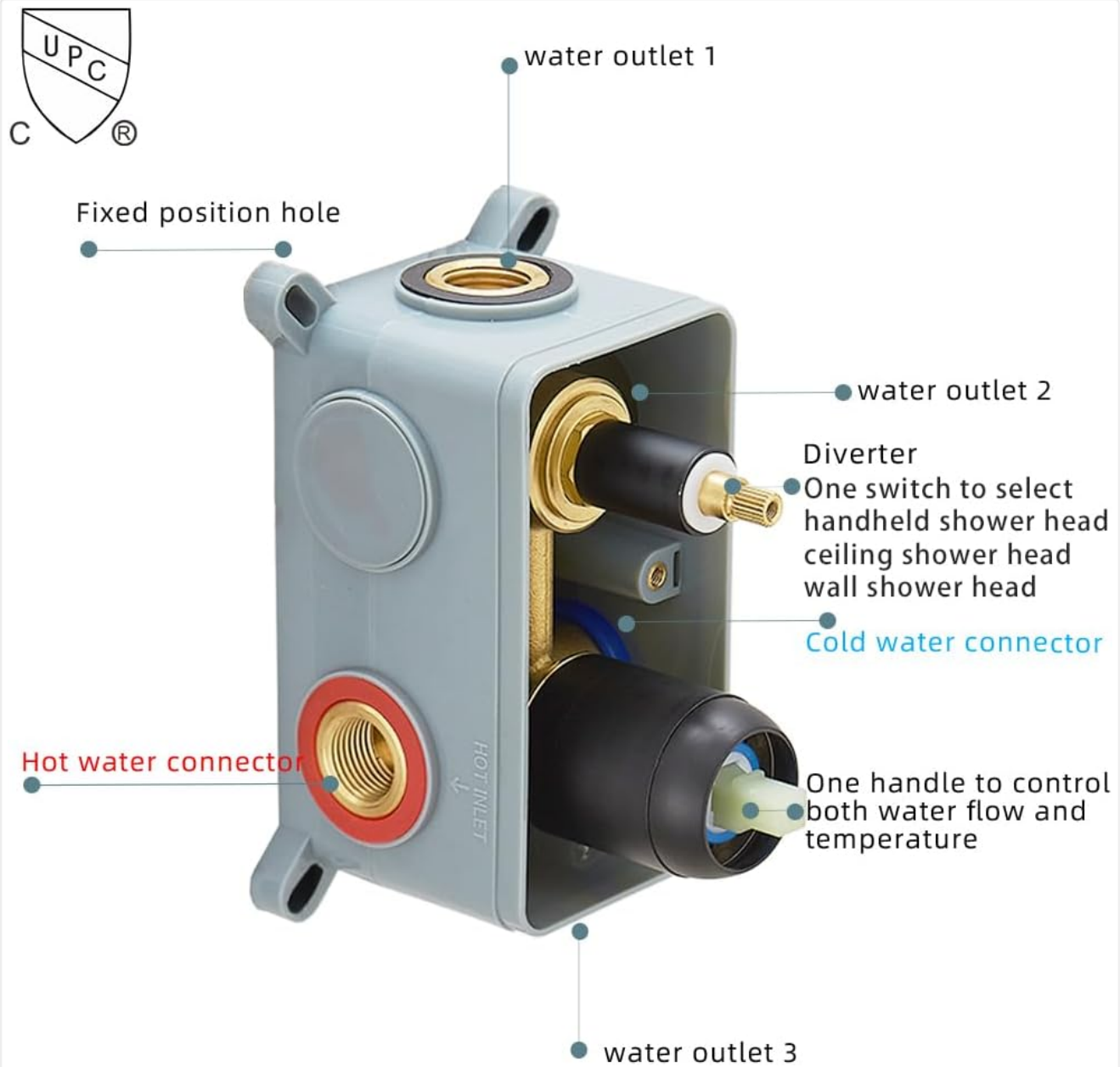


Figure 4.2: Dimensional drawing for installation planning.

Refer to the dimensional drawing (Figure 4.2) for recommended heights and distances for optimal placement of all shower components.

5. OPERATION

5.1 Water Flow and Temperature Control

The single handle on the mixing valve controls both water flow and temperature. Rotate the handle to adjust the temperature from cold to hot. Lift or push the handle to control the water volume.

5.2 Diverter Function

The diverter knob, typically located on the mixing valve trim, allows you to switch between the three shower functions: the ceiling mount shower head, the wall mount shower head, and the handheld shower. Rotate the diverter to select your desired water output.



Figure 5.1: The three functional outputs of the shower system.

5.3 Shower Head Features

- **Ceiling Mount Shower Head:** The 12-inch ultra-thin design provides a wide rain shower experience, maintaining high water pressure even in environments with lower water pressure.
- **Wall Mount Shower Head:** Features air-injected technology, which mixes air with water to enhance pressure and reduce water consumption.
- **Handheld Shower:** Utilizes pressurized technology to deliver a strong spray, effective for rinsing and cleaning.

6. MAINTENANCE AND CARE

Regular cleaning and maintenance will ensure the longevity and optimal performance of your shower system.

6.1 Cleaning the Finish

- Clean the matte black finish with a soft cloth and mild soap or a non-abrasive cleaner specifically designed for matte finishes.
- Avoid using abrasive cleaners, harsh chemicals, or scouring pads, as these can damage the finish.
- Rinse thoroughly with clean water and dry with a soft cloth to prevent water spots.

6.2 Cleaning Silicone Nozzles

The shower heads are equipped with silicone nozzles that allow for easy removal of mineral deposits. Simply wipe the nozzles with your finger or a soft cloth to dislodge any buildup.

7. TROUBLESHOOTING

If you encounter any issues with your shower system, refer to the common problems and solutions below.

Problem	Possible Cause	Solution
Low water pressure	Clogged shower head nozzles; partially closed shut-off valve; low household water pressure.	Clean shower head nozzles; ensure shut-off valves are fully open; consult a plumber for household water pressure issues.
Leaking connections	Loose connections; worn seals or O-rings; improper pipe sealant application.	Tighten connections; replace worn seals/O-rings; reapply pipe sealant as needed.
Water temperature inconsistent	Mixing valve issue; hot/cold water supply imbalance.	Check water heater settings; consult a plumber for mixing valve inspection.

If the problem persists after attempting these solutions, please contact customer support.

8. WARRANTY AND SUPPORT

The JingGang shower faucet set includes a **5-year free replacement** policy for any parts. This warranty covers manufacturing defects and material failures under normal use.

For warranty claims, technical assistance, or any questions regarding your product, please contact JingGang customer service. Provide your model number (JG-8012-6-HS) and purchase details when contacting support to expedite assistance.

Contact information can typically be found on the product packaging or through your point of purchase.

