

## ECOTOUCH CRAH950E

# ECOTOUCH Electric Cooktop User Manual

Model: CRAH950E

## 1. INTRODUCTION

This manual provides detailed instructions for the installation, operation, and maintenance of your ECOTOUCH 36-inch Electric Cooktop. Please read this manual thoroughly before using the appliance to ensure safe and efficient operation. Keep this manual for future reference.

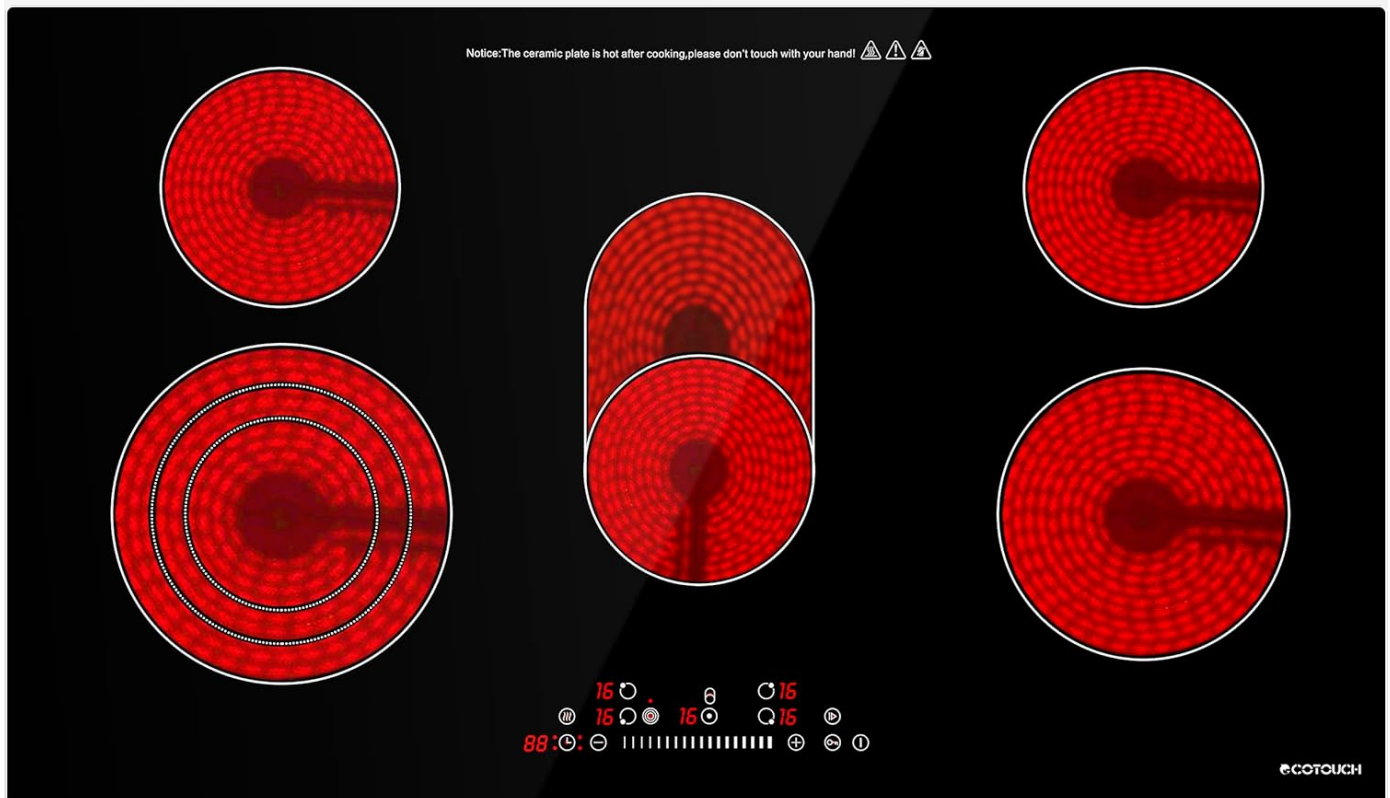


Figure 1.1: ECOTOUCH 36-inch Electric Cooktop overview.

## 2. SAFETY INFORMATION

Your safety and the safety of others are very important. This manual contains important safety messages. Always read and obey all safety messages.

### General Safety Precautions:

- Ensure the cooktop is properly grounded according to local electrical codes.
- Do not touch hot surfaces. Use handles or knobs.
- Never leave the cooktop unattended during operation.
- Keep flammable materials away from the cooktop.
- This appliance is designed for household use only.

### Built-in Safety Features:

- **Auto Shut-off Protection:** The cooktop is equipped with an automatic shut-off feature for enhanced safety.
- **Child Safety Lock:** Prevents accidental activation or changes to settings, ideal for households with children.
- **Over-Temperature Protection:** Automatically shuts off if the temperature exceeds safe limits.
- **Residual Hot Indicator:** An "H" indicator will remain lit until the cooktop surface is cool to the touch, warning of residual heat.
- **No Electromagnetic Radiation:** Unlike induction cooktops, this electric cooktop is radiation-free, making it suitable for all users, including pregnant individuals and those with pacemakers.

# Multiple Safety Protections for Your Families

 Auto Shut-off Protection

 Child Safety Lock

 Over-Temperature Protection

 Residual Hot Indicator



Figure 2.1: Multiple safety protections for family use.

## 3. PRODUCT OVERVIEW

The ECOTOUCH 36-inch Electric Cooktop features a sleek design and powerful performance for all your cooking needs.

### Key Features:

- **High Power Output:** 8800W total power for rapid heating and efficient cooking.
- **Five Burners:** Includes a versatile triple-ring burner and a griddle burner for various pot and pan sizes.
- **16 Power Levels:** Precise heating control from low simmer to quick boil.
- **Durable Surface:** High-end ceramic glass cooktop, easy to clean, high-temperature resistant, and scratch-proof.
- **Universal Cookware Compatibility:** Works with all types of cookware, including iron, stainless steel, aluminum, glass, copper, and casserole dishes.

# Newly Upgraded Electric Cooktop 36inch



**8800W**

Powerful Output

**16**

**16 Levels**

Delicate Power Control



**ETL**

Certificated, No Radiation



**Must-Have**

Perfect Alternative



**ECOTOUCH**

Figure 3.1: Key features of the ECOTOUCH Electric Cooktop.

# Triple Ring Burner & Griddle Burner

Big or Small Size Pan Heat More Evenly  
Single Button, Quick Adjustment



**High Power & 5 Burner Design**

Enough for whole family even  
in Christmas



**Continuous, Evenly Heating**

Perfect choice for making  
delicious food



Figure 3.2: Burner configuration and cookware compatibility.

## 4. SETUP & INSTALLATION

The ECOTOUCH Electric Cooktop is designed for built-in installation to save countertop space and blend seamlessly with your kitchen decor. Professional installation is recommended due to hardwiring requirements.

### Dimensions and Cutout:

- **Product Dimensions:** 20.5 x 35.45 x 2.05 inches (Depth x Width x Height).
- Refer to the installation diagram for precise countertop cutout dimensions.

### Electrical Requirements:

- This cooktop requires a 220V~240V hardwired connection.
- A 40A double pole breaker is required.
- Ensure proper wiring (Red, Black, Green wires) as per the provided diagram and local electrical codes.

# EASY TO INSTALL

- Built-in design to save countertop space
- Blends in and lightens up any decors

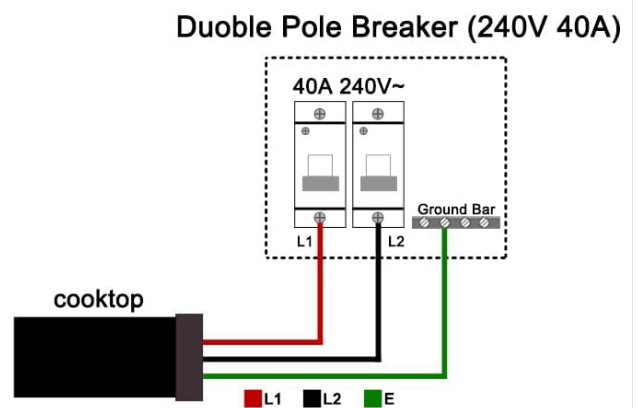
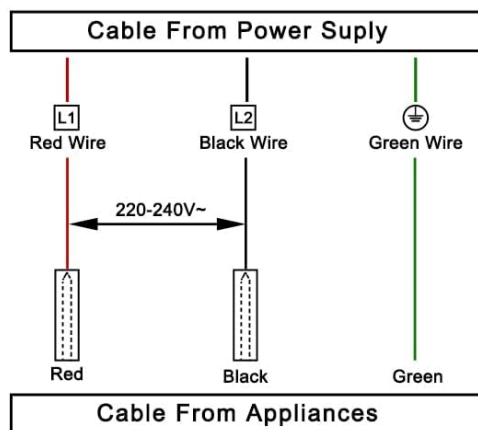


Figure 4.1: Installation dimensions and wiring diagram.

## 5. OPERATING INSTRUCTIONS

The ECOTOUCH Electric Cooktop features intuitive touch controls for easy operation.

### Turning On/Off:

- Press the power button to turn the cooktop on.
- Press and hold the power button to turn the cooktop off.

### Adjusting Power Levels:

- Select the desired cooking zone.
- Use the slide control to adjust between 16 power levels for precise heat control, suitable for melting, simmering, roasting, sautéing, deep frying, and boiling.

# 16 Power Levels



Delicate for All Cooking Needs



Precise Heating Control



Cook Like A Chef



Figure 5.1: 16 Power Levels for diverse cooking needs.

## Timer Function:

- Set the built-in timer for up to 99 minutes to manage cooking times effectively.

## Child Lock:

- Activate the child lock to prevent unintended operation, ensuring safety in the kitchen.

## 6. MAINTENANCE & CLEANING

Maintaining your ECOTOUCH Electric Cooktop is simple due to its smooth ceramic glass surface.

- Allow the cooktop to cool completely before cleaning. The residual hot indicator ("H") will turn off when it's safe to touch.
- Wipe the surface with a damp cloth and mild detergent.
- For stubborn stains, use a ceramic cooktop cleaner and a non-abrasive pad.

- Avoid using abrasive cleaners, scouring pads, or sharp objects that could scratch the glass.



Figure 6.1: Easy cleaning and durability of the ceramic glass surface.

## 7. TROUBLESHOOTING

If you encounter any issues with your cooktop, refer to the following common troubleshooting steps. For problems not listed here, please contact customer support.

Problem	Possible Cause	Solution
Cooktop does not turn on.	No power supply; Child lock activated.	Check circuit breaker; Deactivate child lock.
Burner not heating.	Incorrect power level selected; Over-temperature protection activated.	Adjust power level; Allow cooktop to cool down.

Problem	Possible Cause	Solution
"H" indicator remains on.	Residual heat.	This is normal. Wait for the surface to cool.

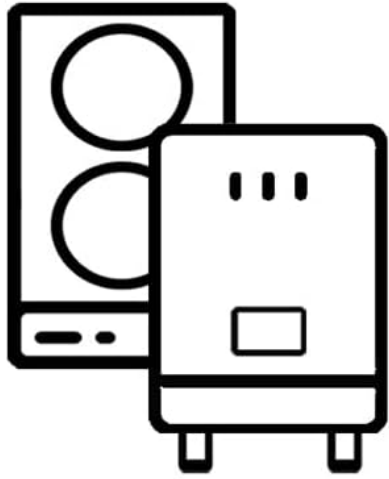
## 8. SPECIFICATIONS

Attribute	Detail
Brand	ECOTOUCH
Model Number	CRAH950E
Item Weight	33.4 pounds
Product Dimensions	20.5 x 35.45 x 2.05 inches
Power Output	8800W
Power Levels	16
Voltage	220V~240V
Certifications	ETL & FCC Certificated
Included Components	Cooktop unit only

## 9. WARRANTY & SUPPORT

ECOTOUCH is committed to providing high-quality products and excellent customer service.

- **Manufacturer's Warranty:** This product comes with a 5-year (60 months) worry-free manufacturer's warranty.
- **Professional After-sales Service:** For detailed installation guidance, quick-acting consultation, or any other support needs, please contact ECOTOUCH customer service.



**25  
Years**

25 Years of Experience in Home Appliance Industry



**50000  
Hours**

Long Service Life & Low Maintenance Costs



**5  
Years**

60 Months Worry-Free Manufacturer's Warranty

Figure 9.1: ECOTOUCH commitment to quality and service.