

PopBloom RL90

PopBloom RL90 LED Aquarium Light Instruction Manual

Model: RL90

1. SETUP

1.1 Unboxing and Components

Carefully unpack the contents of your PopBloom RL90 LED Aquarium Light package. Verify that all components are present:

- 4x RL90 light units
- 4x Arm kits
- 4x Power supply + plug
- 1x User manual

1.2 Mounting Options

The PopBloom RL90 offers versatile mounting solutions to suit various aquarium setups. Choose the appropriate method for your tank.

Adjustable Arm Kit

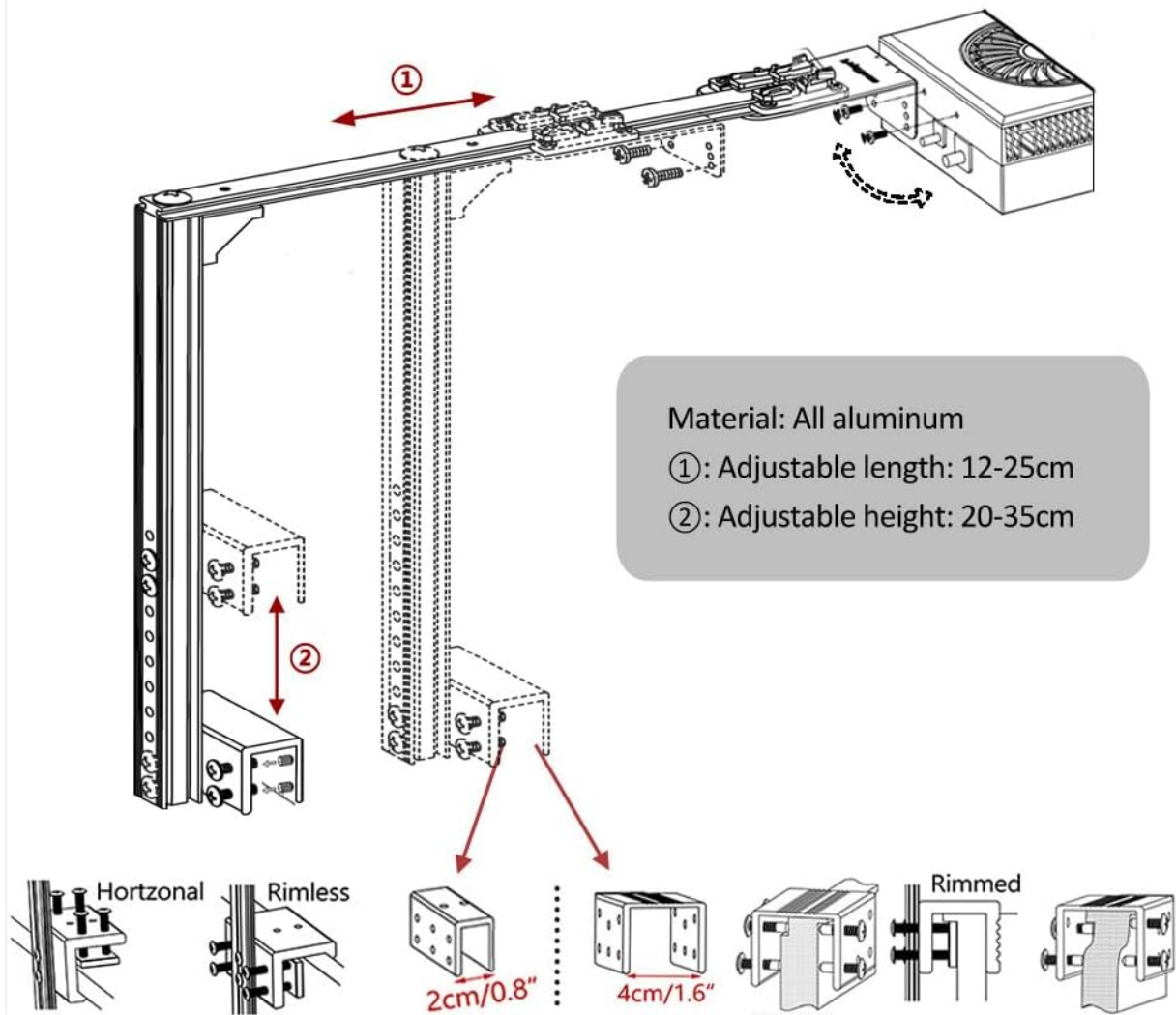


Image 1: Adjustable Arm Kit. This image illustrates the adjustable arm kit, made of all aluminum, with an adjustable length of 12-25cm and adjustable height of 20-35cm. It shows compatibility with horizontal, rimless, and rimmed tank types, with specific bracket sizes for 2cm/0.8" and 4cm/1.6" rims.

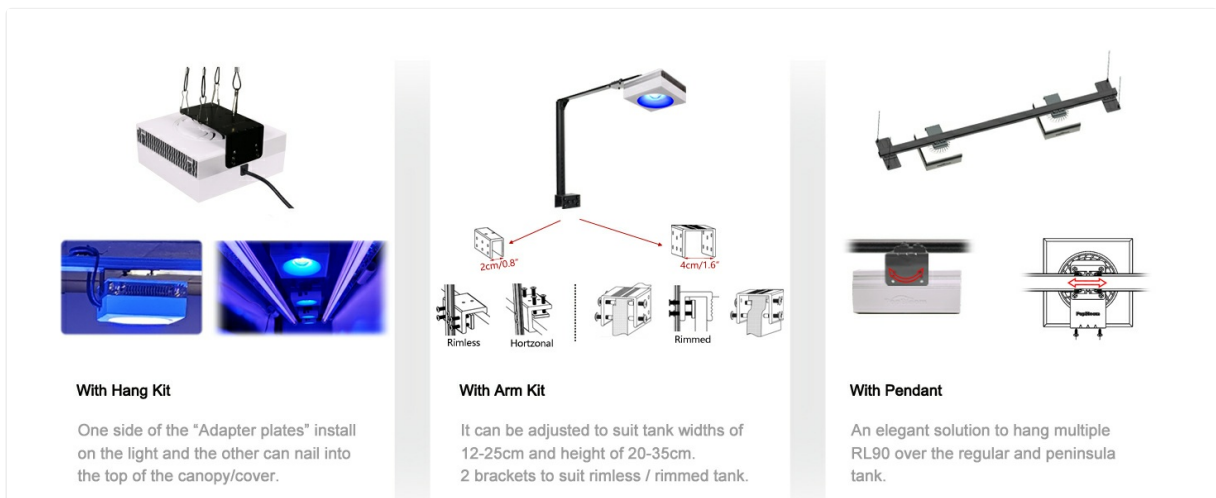


Image 2: Hang Kit Installation. This image displays the hang kit option, where adapter plates are installed on the light, and the light can be suspended from the top of the canopy or cover.

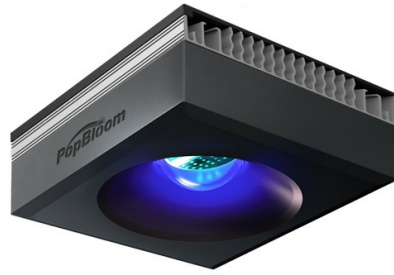
RL90 WiFi

Smart. Group Control. Efficient

- 2025 newest aquarium reef LED light, the smart choice for SPS/LPS.
- Group-controlled by the phone / Internet, 12pcs lights at the same time freedom to control anytime and anywhere.

Suitable Tank Size	40-60CM 16-24inch	80-120CM 30-48inch	120-150CM 48-60inch	180-240CM 72-96inch
Qty:	1x RL90	2x RL90	3x RL90	4x RL90

Note: if want 2xRL90, make the order directly of



Dimension: 12x12x5.5cm | 4.7x4.7x2.2inch

90 W
LED array

500 PAR
water surface

150 PAR
60cm depth

Image 3: Arm Kit Installation. This image shows the arm kit, which can be adjusted to fit tank widths of 12-25cm and heights of 20-35cm. It includes two brackets suitable for rimless or rimmed tanks.



Image 4: Pendant Mounting. This image illustrates an elegant solution for hanging multiple RL90 units over regular and peninsula tanks using a pendant system.

1.3 Power Connection

Connect the power supply to each RL90 light unit and then plug the power supply into a suitable electrical outlet. Ensure all connections are secure before powering on.

2. OPERATING THE LIGHT (SMART-APP CONTROL)

The PopBloom RL90 LED Aquarium Light is controlled via the SmartLife mobile application, offering comprehensive customization and scheduling features.

2.1 Download the SmartLife App

Download the "SmartLife" app from your device's app store (available on App Store for iOS and Google Play for Android) or scan the QR code below. Ensure your mobile device has Wi-Fi and Bluetooth enabled.

Ideal PAR Distribution

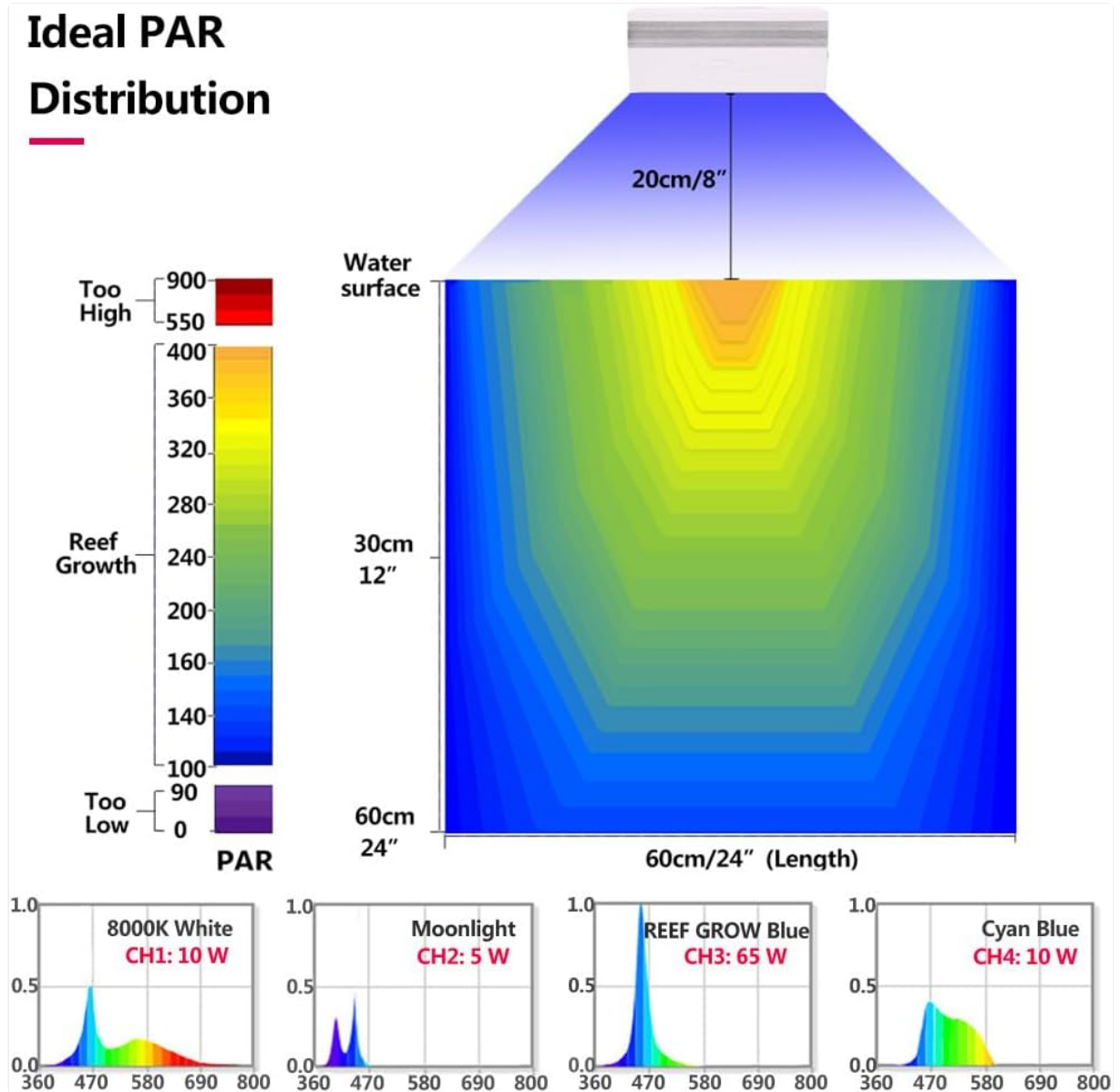


Image 5: SmartLife App Download. Scan the QR code or search for "Smart Life" in your app store to download the control application. You can also visit smartapp.tuya.com/smartlife.

Video 1: How to Download the SmartLife App. This video demonstrates the process of downloading and installing the SmartLife application on your mobile device, which is essential for controlling the RL90 lights.

2.2 Connect to the Lamp

Follow the in-app instructions to add your RL90 light units. The app will automatically search for nearby devices. Ensure your lights are powered on and in pairing mode.

Video 2: Connecting RL90 Lights to the SmartLife App. This video guides you through the process of adding your RL90 lights to the SmartLife app and creating a group for synchronized control.

2.3 Manual Channel Adjustment

You can manually adjust the intensity of each of the four LED channels (Ch1: 8000K White, Ch2: Moonlight, Ch3: REEF GROW Blue, Ch4: Growth Red) to achieve your desired lighting spectrum and intensity. This allows for fine-tuning the light output for specific coral and fish needs.

Video 3: Manual and Preset Program Control. This video demonstrates how to manually adjust individual channels and select from various preset lighting programs within the SmartLife app.

2.4 Preset Programs

The SmartLife app includes a library of 16 preset lighting modes optimized for different aquarium environments, such as SPS dominant, LPS & Soft coral, Fish & Plants, and various seasonal cycles (Tropical Spring, Summer, Autumn, Winter, Temperate Spring, Summer, Autumn, Winter). Select a program that best suits your tank's inhabitants.

2.5 Slow Acclimation and Lunar Cycle

Utilize the slow acclimation feature to gradually introduce new corals, fish, and plants to the lighting environment, preventing shock. The lunar cycle feature simulates natural moon phases, providing a realistic nighttime environment for your aquatic life.

2.6 Editing Your Own Program

For advanced users, the app allows you to create and edit custom lighting programs. You can set multiple time points throughout the day and adjust the intensity of each channel at these points to precisely control your aquarium's lighting schedule.

3. MAINTENANCE

3.1 Cleaning

Regularly clean the exterior of the light units with a soft, dry cloth to prevent dust buildup. For the lens, use a soft, damp cloth to gently wipe away any salt creep or debris. Ensure the light is unplugged before cleaning.

3.2 Cooling System

The RL90 features an efficient cooling system with a smart cooling fan. Ensure the fan vents are not obstructed to maintain optimal performance and extend LED lifespan. Periodically check for any dust accumulation in the fan area and clean if necessary.

4. TROUBLESHOOTING

4.1 Light Not Turning On

- Check all power connections to ensure they are secure.
- Verify the power outlet is functional.
- Ensure the light unit is properly connected to the power supply.

4.2 App Connectivity Issues

- Confirm your mobile device's Wi-Fi and Bluetooth are enabled.
- Ensure your Wi-Fi network is stable and the password entered in the app is correct.
- Restart the SmartLife app and attempt to reconnect.
- If issues persist, try resetting the light unit to factory settings (refer to the app for specific instructions) and re-pairing.

4.3 Inconsistent Light Output

- Check the selected program in the SmartLife app to ensure it matches your desired output.
- Verify that no acclimation or lunar cycle settings are overriding your program.
- Ensure all light units in a group are properly synchronized.

5. SPECIFICATIONS

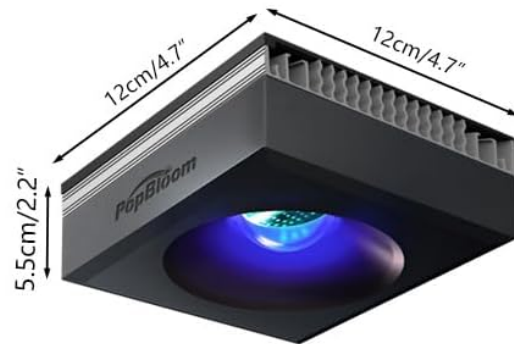
Detailed technical specifications for the PopBloom RL90 LED Aquarium Light:

Specification — for each light

90 W
LED Array

500 PAR
Water surface

150 PAR
60cm depth



4 Channels

10 W
8000K White

5 W
Moonlight

65 W
REEF GROW Blue

10 W
Growth Red

Recommendation

Size	1 Light	2 Light	3 Light	4 Light	5 Light	6 Light
recommended tank length	40-60cm 16-24inch	80-120cm 30-48inch	120-150cm 48-60inch	180-240cm 72-96inch	240-300cm 96-120cm	(300-360)x60 (120-150)x80
recommended tank width: 60cm						
max reach tank depth: 80cm						

Image 6: RL90 Light Specifications. This image provides key specifications for each RL90 light unit, including 90W LED Array, 500 PAR at water surface, 150 PAR at 60cm depth, and 4 channels (10W 8000K White, 5W Moonlight, 65W REEF GROW Blue, 10W Growth Red). It also recommends tank lengths for 1 to 6 light units and specifies a recommended tank width of 60cm and max reach tank depth of 80cm.

Panel

Leds Array

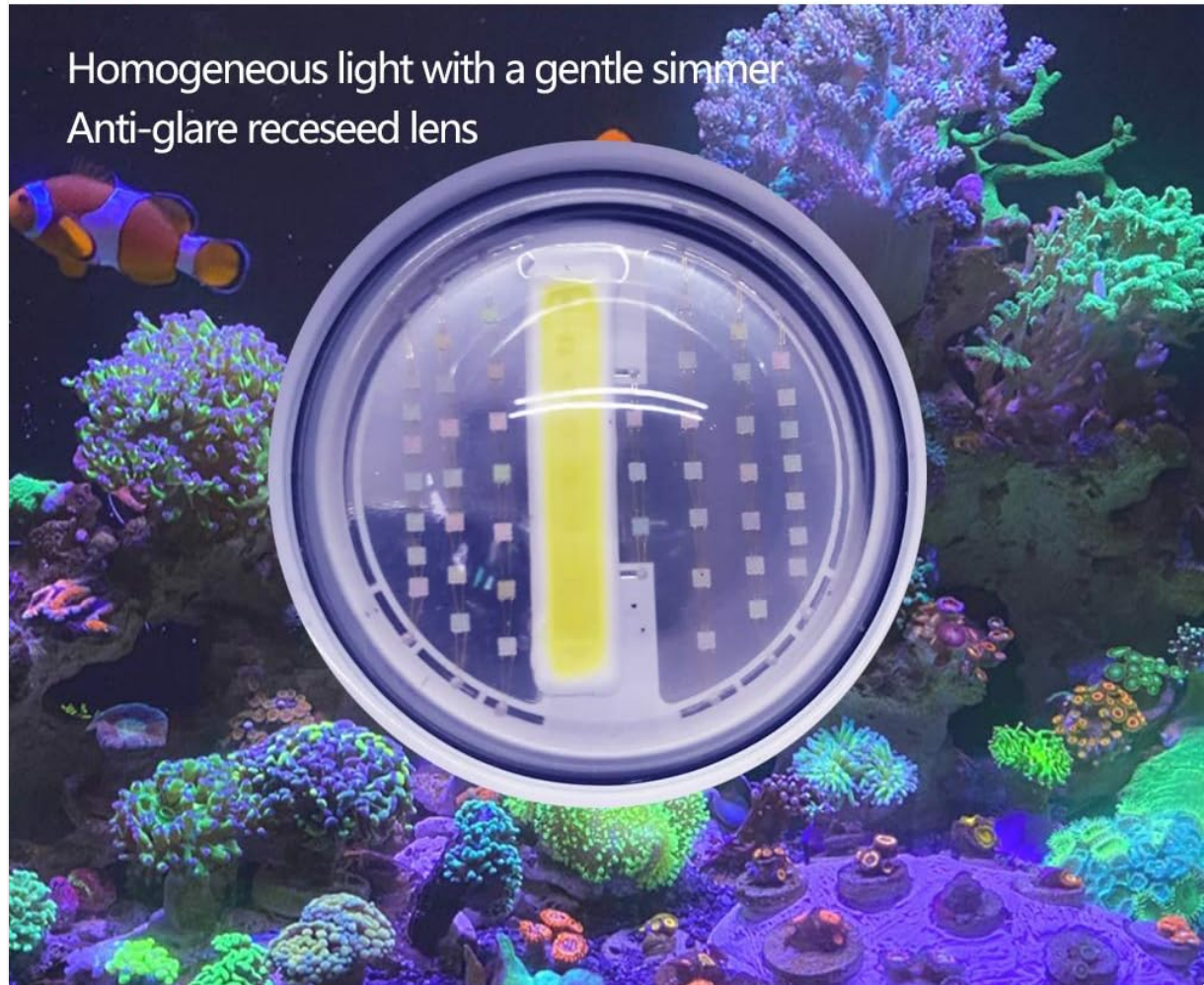


Image 7: Ideal PAR Distribution. This image illustrates the PAR distribution of the RL90 light, showing values at various depths (water surface, 30cm/12", 60cm/24") across a 60cm/24" length. It also includes spectral distribution graphs for each of the four channels.



**RL90 Wi-Fi Light
With Arm Kit**

Image 8: Full Spectrum Specification. This image details the full spectrum specifications, including power consumption of 100 watts per light, maximum spread of 24"x24", 4 LED channels, PAR@Water Surface of 500, and PAR@24" Depth of 150. A spectral graph from 380nm to 780nm is also provided.

General Specifications

Feature	Detail
Brand	PopBloom
Model Name	RL90
Light Source Type	LED
Material	Aluminum
Power Source	Corded Electric
Wattage (per unit)	90 watts (LED Array) / 100 watts (Power Consumption)
Number of Channels	4 Channels
Product Dimensions (per unit)	4.7 x 4.7 x 2.2 inches (12 x 12 x 5.5 cm)

Feature	Detail
Mounting Type	Arm Mounting (Arm Kit included)
Control Method	Smart-APP Control (SmartLife App)
Max Control	Up to 10 lights simultaneously
Recommended Tank Length	180-240cm (for 4 lights)
Recommended Tank Width	60cm
Max Reach Tank Depth	80cm

6. WARRANTY

This PopBloom RL90 LED Aquarium Light is covered by the manufacturer's standard warranty. Please retain your proof of purchase for any warranty claims. For specific warranty terms and conditions, refer to the documentation provided with your product or contact PopBloom customer support.

7. SUPPORT

For further assistance, technical support, or inquiries regarding your PopBloom RL90 LED Aquarium Light, please contact PopBloom_USA directly. You can also visit the official PopBloom store on Amazon for more information and resources.

PopBloom Store: [Visit the PopBloom Store](#)