



Manuals.plus /

› Kariwust /

› Kariwust Kaidi KDPT007-08 Linear Actuator Instruction Manual

Kariwust KDPT007-08

Kariwust Kaidi KDPT007-08 Linear Actuator Instruction Manual

Replacement Motor for Power Recliner Lift Chairs

1. PRODUCT OVERVIEW

The Kariwust Kaidi Model KDPT007-08 Linear Actuator is designed as a direct replacement motor for various power recliner lift chairs. This actuator is compatible with several Kaidi motor models, ensuring a broad range of applications for repair and maintenance.

It features specific connection types for power and hand control, making it suitable for standard recliner systems.

2. SAFETY INFORMATION

Please read and understand all safety instructions before installation or operation of the linear actuator. Failure to follow these instructions may result in injury or damage to the product.

- **Power Disconnection:** Always unplug the power cord from the wall outlet before attempting any installation, removal, or maintenance of the motor.
- **Moving Parts:** Exercise caution around moving parts when the recliner chair is in operation. Keep hands and loose clothing clear of the actuator mechanism.
- **Load Capacity:** Do not exceed the maximum load capacity of **750 N** (Newtons) for this actuator. Overloading can lead to motor failure and potential safety hazards.
- **Cord Management:** Keep the power cord away from heat sources, sharp objects, and areas where it could be pinched or damaged.
- **Manufacturer Instructions:** Always adhere to the recliner chair manufacturer's instructions for safe installation and usage, in addition to these guidelines.

3. PRODUCT FEATURES AND COMPATIBILITY

- **Model:** OEM Kaidi Power Recliner Lift Chairs Motor Actuator Model KDPT007-08.
- **Compatibility:** This motor replaces Kaidi Models KDPT007-01, KDPT007-02, KDPT007-38,

KDPT007-52, and KDPT007-179. Please verify your existing motor's label before ordering to ensure compatibility.

- **Power Connection:** Features a 2-Pin Flat Round Power Transformer Connection.
- **Hand Control Connection:** Equipped with a 5-Pin Hand Control Plug Connection.
- **Stroke Length:** 333 mm (13.11 inches).
- **Minimum Install Dimension:** 139 mm (5.47 inches).
- **Speed:** 55.5 mm/s.
- **Maximum Load:** 750 N.



Image 1: Product label showing model number KDPT007-08 and technical specifications.



Image 2: Close-up of the 2-pin flat round power transformer connection and the 5-pin hand control plug connection.

4. SETUP AND INSTALLATION

This linear actuator is designed for easy installation as a direct replacement. Follow these general steps:

1. **Disconnect Power:** Ensure the recliner chair is unplugged from the electrical outlet before beginning any work.
2. **Access Actuator:** Carefully turn the recliner chair over or tilt it to access the existing linear actuator.
3. **Remove Old Actuator:**
 - Disconnect the power cable and hand control cable from the old actuator.
 - Unbolt or unpin the old actuator from its mounting points on the chair frame. Note the orientation for the new installation.
4. **Install New Actuator:**
 - Position the new KDPT007-08 actuator in the same orientation as the old one.
 - Securely bolt or pin the new actuator to the chair frame's mounting points.
 - Connect the 2-pin flat round power transformer cable to the actuator.

- Connect the 5-pin hand control cable to the actuator. Ensure all connections are firm.
5. **Test Functionality:** Once installed, carefully return the chair to its upright position. Plug the recliner back into the electrical outlet and test the hand control to ensure the actuator operates smoothly through its full range of motion.

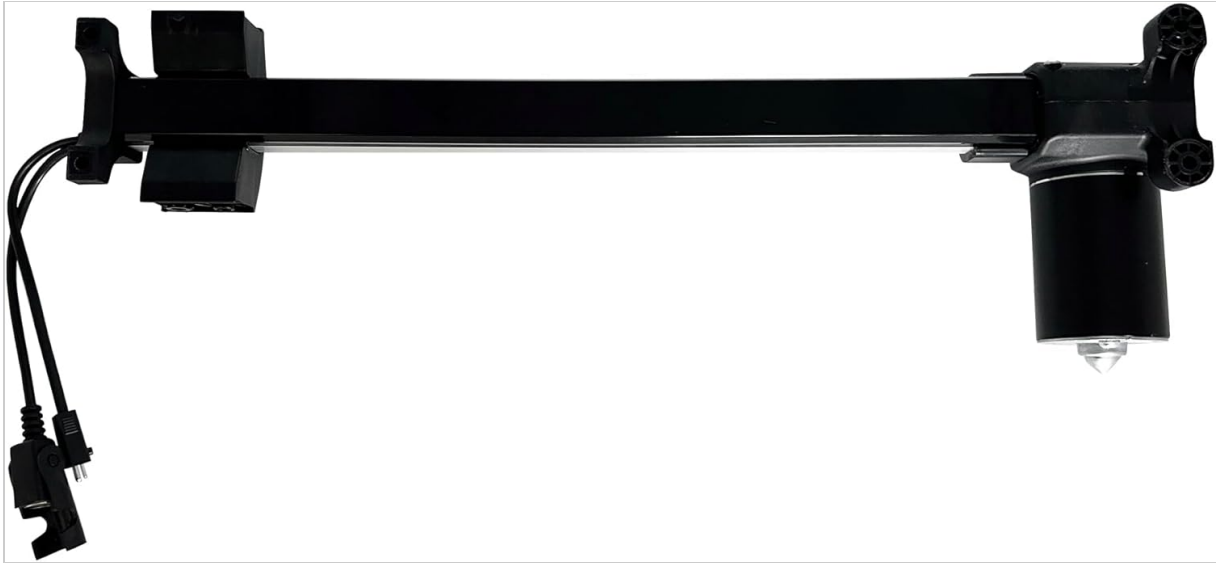


Image 3: Full view of the linear actuator, showing its overall structure for installation reference.

5. OPERATING INSTRUCTIONS

The KDPT007-08 linear actuator operates in conjunction with your recliner chair's existing hand control unit. Operation is straightforward:

- **Power On:** Ensure the recliner chair is properly plugged into a functioning electrical outlet.
- **Recline/Extend:** Use the buttons or levers on your hand control to initiate the reclining or extending motion of the chair. The actuator will move the chair's mechanism to the desired position.
- **Stop Motion:** Release the button or lever on the hand control to stop the actuator at any point during its travel.
- **Duty Cycle:** The actuator has a maximum duty cycle of **2 minutes ON and 18 minutes OFF (10%)**. Avoid continuous operation for extended periods to prevent overheating and ensure longevity. Allow the motor to rest if it has been running for its maximum continuous duration.

6. MAINTENANCE

The Kaidi KDPT007-08 linear actuator is designed for minimal maintenance. However, periodic checks can help ensure its long-term performance:

- **Cleaning:** Keep the actuator free from dust and debris. Use a dry cloth to wipe down the exterior. Do not use liquid cleaners directly on the motor or electrical components.
- **Cable Inspection:** Periodically inspect all cables and connections for any signs of wear, fraying, or damage. Ensure they are securely plugged in.
- **Mounting Points:** Check that the actuator remains securely bolted or pinned to the chair frame. Tighten any loose fasteners if necessary.
- **Lubrication:** The actuator is pre-lubricated and generally does not require additional lubrication. If unusual noises occur, consult a professional.

7. TROUBLESHOOTING

If you encounter issues with your linear actuator, refer to the following troubleshooting guide:

Problem	Possible Cause	Solution
Actuator does not move.	<ul style="list-style-type: none">◦ No power to the chair.◦ Loose or disconnected cables.◦ Faulty hand control.◦ Overload protection activated.	<ul style="list-style-type: none">◦ Check if the chair is plugged in and the outlet is functional.◦ Verify all power and hand control cables are securely connected.◦ Test with a known working hand control if available.◦ Unplug the chair for 10-15 minutes to reset, then try again. Reduce load if applicable.
Actuator moves slowly or with difficulty.	<ul style="list-style-type: none">◦ Excessive load on the chair.◦ Obstruction in the mechanism.◦ Low voltage or power supply issue.	<ul style="list-style-type: none">◦ Ensure the chair is not overloaded (Max. load: 750 N).◦ Inspect the chair's mechanism for any foreign objects or binding.◦ Check power supply unit for proper function.
Unusual noises from the actuator.	<ul style="list-style-type: none">◦ Loose mounting.◦ Internal mechanical issue.	<ul style="list-style-type: none">◦ Check and tighten all mounting bolts/pins.◦ If noise persists, discontinue use and contact support.

If troubleshooting steps do not resolve the issue, please contact customer support.

8. SPECIFICATIONS

Specification	Value
Model	KDPT007-08
Stroke Length	333 mm (13.11 inches)
Minimum Install Dimension	139 mm (5.47 inches)
Speed	55.5 mm/s
Maximum Load	750 N
Rated Voltage	DC 29V
Rated Input	75W
Maximum Duty Cycle	2 minutes ON / 18 minutes OFF (10%)
Item Weight	4.94 pounds
Package Dimensions	24.85 x 6.8 x 4 inches
Manufacturer	Kaidi
Material	Aluminum

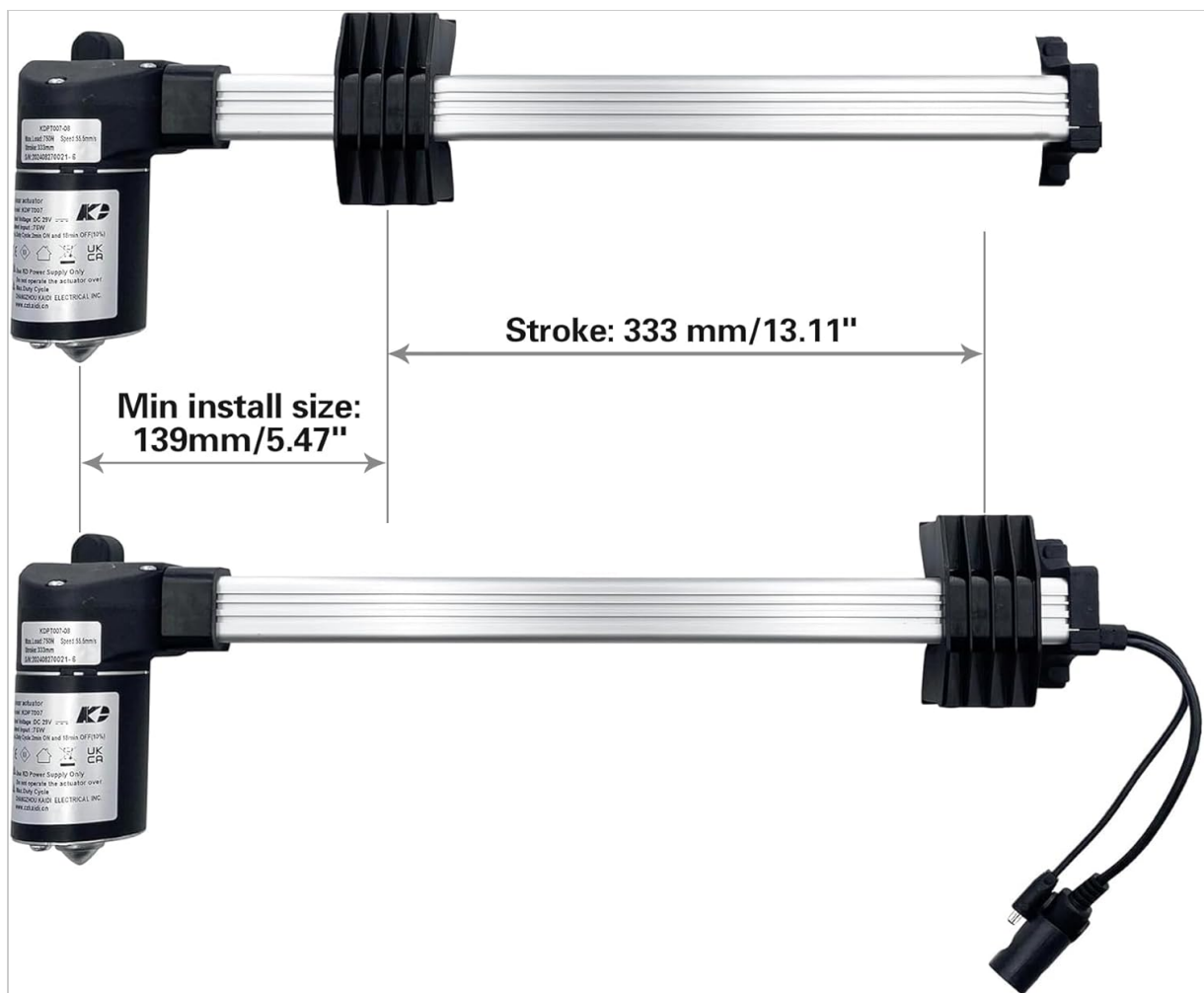


Image 4: Diagram illustrating the stroke length and minimum installation dimension of the actuator.

9. SUPPORT

For any questions, technical assistance, or support regarding your Kariwust Kaidi KDPT007-08 Linear Actuator, please contact the seller or manufacturer directly. Refer to your purchase documentation for specific contact information.

When contacting support, please have your product model number (KDPT007-08) and purchase details readily available.