

LG F4NX1009NWB

LG F4NX1009NWB 9 kg Front Load Washing Machine User Manual

Model: F4NX1009NWB

1. PRODUCT OVERVIEW

The LG F4NX1009NWB is a 9 kg front-load washing machine designed for efficient and thorough laundry care. It features advanced technologies such as 6 Motion Direct Drive for optimized washing movements, Wi-Fi connectivity for smart control, and Allergy Care Steam Wash for enhanced hygiene. This manual provides essential information for safe installation, operation, maintenance, and troubleshooting.



Figure 1: Front view of the LG F4NX1009NWB washing machine.

2. SAFETY INFORMATION

Read all instructions carefully before using the appliance to prevent accidents and ensure proper operation. Keep this manual for future reference.

General Safety Precautions

- Ensure the appliance is properly grounded.
- Do not allow children to play on or in the appliance.
- Keep the area around the washing machine clear of flammable materials.
- Do not wash items that have been soiled with gasoline, dry-cleaning solvents, or other flammable or explosive substances.
- Unplug the appliance before cleaning or performing any maintenance.
- Do not attempt to repair or replace any part of the appliance unless specifically recommended in this manual.

3. INSTALLATION

Unpacking

Remove all packaging materials, including the base packaging and any protective film. Ensure all transit bolts are removed from the rear of the machine before operation. Failure to remove transit bolts will cause severe vibration and damage.

Location and Leveling

Place the washing machine on a firm, level surface. Adjust the leveling feet to ensure the machine is stable and does not rock. Proper leveling is crucial to minimize noise and vibration during operation.

Water Supply and Drain

- Connect the inlet hoses to the hot and cold water taps and to the corresponding inlets on the back of the machine.
- Securely attach the drain hose to a standpipe or laundry tub, ensuring it is not kinked or blocked.

Electrical Connection

Plug the power cord into a properly grounded electrical outlet. Do not use extension cords or adapters.

Removable Top for Under-Counter Installation

The top panel of the LG F4NX1009NWB can be removed to allow for under-counter installation, providing flexibility for various spaces. Consult a qualified technician for removal if necessary.



Copertura superiore rimovibile

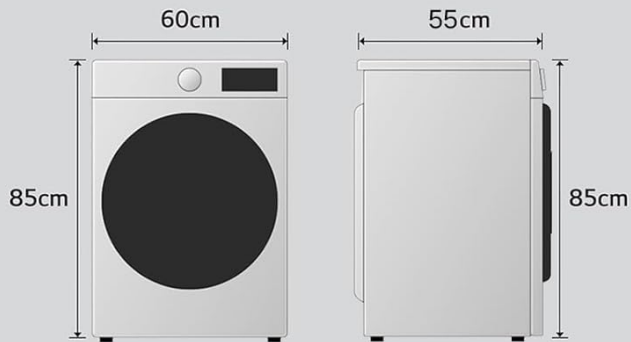
Adatta a ogni spazio, puoi anche incassarla sottopiano

Figure 2: The removable top allows for under-counter installation.

Dimensions

Refer to the diagram below for detailed product dimensions and recommended installation clearances.

Dimensioni



Installazione

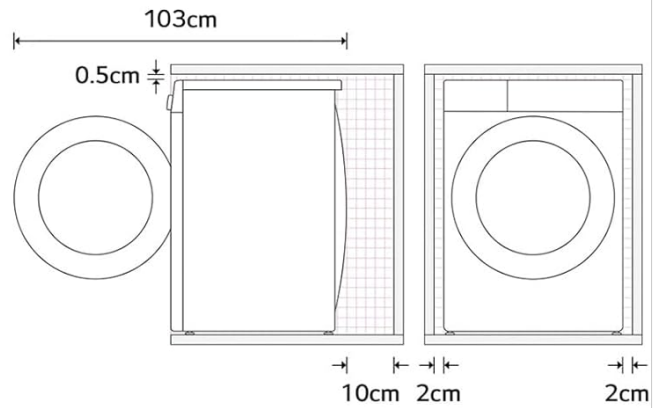


Figure 3: Product dimensions (55P x 60l x 85H cm) and installation guide.

4. OPERATING INSTRUCTIONS

Control Panel

The control panel features a program selector dial, a digital display, and touch buttons for various options. Use the dial to select your desired wash program and the touch buttons to customize settings like temperature, spin speed, and special functions.



Figure 4: The intuitive control panel with program dial and touch display.

Detergent Dispenser

Open the detergent dispenser drawer and add the appropriate amount of detergent and fabric softener to their respective compartments. Refer to your detergent packaging for recommended dosages.



Figure 5: Detergent dispenser drawer for detergent and softener.

Loading Laundry

Open the washing machine door and load laundry into the drum. Do not overload the machine. Ensure items are evenly distributed to prevent imbalance during the wash cycle.



Figure 6: The stainless steel drum with bubble-shaped texture for fabric care.

Selecting a Program

Turn the program selector dial to choose one of the 15 available wash programs. Common programs include:

- **Cotton:** For cotton fabrics.
- **Eco 40-60:** Energy-efficient program for normally soiled cotton garments.
- **Mixed:** For a mix of different fabric types.
- **Synthetics:** For synthetic fabrics.
- **Delicates:** For delicate items requiring gentle care.
- **Quick 30:** A fast wash cycle for lightly soiled items.

- **Special Sport:** Optimized for sportswear.
- **Allergy Care:** Uses steam to reduce allergens.
- **Download Program:** Access additional cycles via the ThinQ app.

Special Functions

- **6 Motion Direct Drive:** This technology uses 6 distinct drum movements (Stepping, Filtration, Scrubbing, Tumble, Rolling, Swing) to provide optimized washing for different fabric types, mimicking hand washing for better care and cleaning performance.



Figure 7: The 6 Motion Direct Drive technology provides tailored drum movements.

- **Wi-Fi with ThinQ App:** Connect your washing machine to your home Wi-Fi network to control it remotely using the LG ThinQ app on your smartphone. Receive notifications, download new wash programs, and perform smart diagnosis.



Notifiche



Scarica
Programmi



Assistente
Vocale



Smart
Diagnosis



Wi-Fi con app LG ThinQ

Gestisci e controlla la lavatrice anche da remoto

Figure 8: Control your washing machine remotely with the LG ThinQ app.

- **Allergy Care Steam Wash:** This function uses steam to sanitize clothes, effectively eliminating germs, bacteria, and common allergens like dust mites. It also helps to relax fabric fibers, improving washing effectiveness.



Figure 9: Allergy Care Steam Wash reduces allergens by 99.9%.

Starting a Wash Cycle

After loading laundry, adding detergent, and selecting your program and options, press the Start/Pause button to begin the wash cycle.

5. MAINTENANCE

Regular maintenance ensures optimal performance and extends the lifespan of your washing machine.

Cleaning the Exterior

Wipe the exterior surfaces with a soft, damp cloth. Do not use abrasive cleaners or solvents.

Cleaning the Detergent Dispenser

Periodically remove and clean the detergent dispenser drawer to prevent detergent buildup. Rinse it under running water and dry thoroughly before reinserting.

Cleaning the Drain Pump Filter

The drain pump filter should be cleaned regularly to prevent blockages and ensure proper drainage. Locate the filter access panel at the bottom front of the machine, open it, and carefully remove and clean the filter. Refer to the full manual for detailed steps.

Drum Care

Run a 'Tub Clean' cycle periodically to remove detergent residue and odors from the drum. Leave the door slightly ajar after each wash to allow the drum to air dry.

6. TROUBLESHOOTING

If you encounter issues with your washing machine, refer to the following common problems and solutions before contacting service.

Problem	Possible Cause	Solution
Machine does not start	Power cord unplugged; door not closed properly; Start/Pause button not pressed.	Check power connection; ensure door is securely latched; press Start/Pause.
Excessive vibration or noise	Transit bolts not removed; machine not level; uneven load.	Remove transit bolts; adjust leveling feet; redistribute laundry.
Water leakage	Hoses loose; drain hose blocked; detergent overdose.	Check hose connections; clear drain hose; use correct detergent amount.
No water supply	Water taps closed; inlet hoses kinked; water pressure too low.	Open water taps; straighten hoses; check household water pressure.

7. SPECIFICATIONS

Technical specifications for the LG F4NX1009NWB washing machine.

Feature	Detail
Brand	LG
Model Name	LG F4NX1009NWB
Capacity	9 Kilograms
Dimensions (DxWxH)	55P x 60I x 85H cm
Special Feature	Allergy Care Steam Wash

Feature	Detail
Access Location	Front Load
Color	Essence White
Material	Stainless Steel (Drum: Glass)
Control Type	Touch
Installation Type	Freestanding
Number of Programs	15
Motor Type	Inverter Direct Drive
Energy Efficiency Class	A
Max Spin Speed	1400 rpm
Noise Level (Spin)	75 dB
Included Components	Drain Hose

For more detailed energy information, scan the QR code on the energy label or visit eprel.ec.europa.eu/qr/2020171.



Figure 10: Energy label for the LG F4NX1009NWB.

8. WARRANTY AND SUPPORT

Product Warranty

This LG washing machine comes with a **2-year manufacturer's warranty**. Please retain your proof of purchase for

warranty claims. The Inverter Direct Drive motor is guaranteed for 10 years.

Customer Support

For technical assistance, service requests, or further information, please contact LG Customer Support. You can find contact details on the official LG website or in the documentation provided with your appliance.