

NBD S110-QT-EU-241

NBD S110-QT-EU-241 Digital Camera User Manual

Model: NBD-S110-QT-EU-241

1. INTRODUCTION

This manual provides essential instructions for the safe and effective use of your NBD S110-QT-EU-241 Digital Camera. Please read this manual thoroughly before using the camera and keep it for future reference. The NBD S110-QT-EU-241 is a compact digital camera designed for photography and vlogging, featuring 5K video recording, 48MP still image capture, Wi-Fi connectivity, and interchangeable wide-angle and macro lenses.

2. PACKAGE CONTENTS

Verify that all items listed below are included in your package. If any items are missing or damaged, please contact your retailer.

- Camera Body
- Battery
- Type-C Cable
- 52mm Wide-angle Lens
- 52mm Macro Lens
- Micro SD Card (32GB)
- Card Reader
- Camera Strap
- Camera Case
- Charger
- Instruction Manual



Image: All included accessories for the NBD S110-QT-EU-241 Digital Camera.

3. SETUP

3.1. Battery Installation and Charging

1. Open the battery compartment cover located on the bottom of the camera.
2. Insert the provided lithium-ion battery, ensuring the correct orientation according to the diagram inside the compartment.
3. Close the battery compartment cover securely.
4. Connect the camera to the charger using the Type-C cable. Plug the charger into a power outlet. The charging indicator light will illuminate.
5. Charge the battery fully before first use. The indicator light will change or turn off when charging is complete.



Image: Charging the NBD Digital Camera.

3.2. Memory Card Installation

1. Locate the memory card slot, usually on the side or bottom of the camera.
2. Insert the provided 32GB microSD card into the slot with the gold contacts facing the correct direction, as indicated by the camera. Push until it clicks into place.

3. To remove, gently push the card in again until it springs out.

3.3. Attaching Lenses

The camera comes with a 52mm wide-angle lens and a 52mm macro lens. These can be attached to the camera's main lens.

1. Ensure the camera is powered off.
2. Carefully align the threads of the desired auxiliary lens (wide-angle or macro) with the threads on the front of the camera's primary lens.
3. Gently twist the auxiliary lens clockwise until it is securely fastened. Do not overtighten.
4. To remove, twist counter-clockwise.

52mm Wide Angle and Macro Lens



Macro Lens

Photograph with Clear Details



120° Wide Angle Lens

Widen the shooting angle

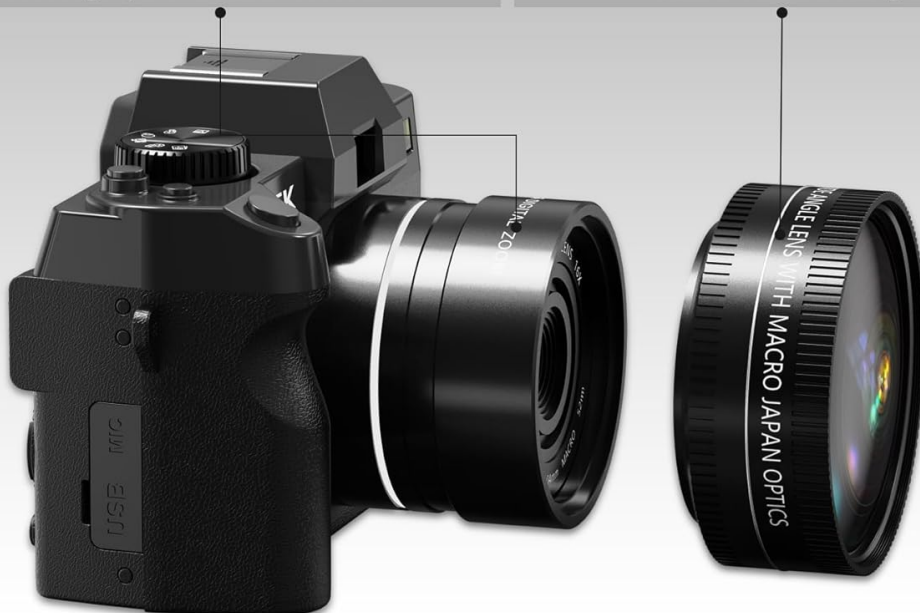


Image: Attaching the 52mm Wide-angle and Macro Lenses.

4. OPERATING THE CAMERA

4.1. Power On/Off

Press and hold the power button (usually located on the top or side of the camera) to turn the camera on or off.

4.2. Basic Shooting Modes (Rotary Dial)

The camera features a quick rotary dial to select various shooting modes:

- **Photo Mode:** For capturing still images.
- **Video Mode:** For recording video footage.
- **Interval Photography:** Captures a series of photos at set intervals.
- **Time-lapse Recordings:** Records video over a period to create a sped-up sequence.
- **Slow Motion Recordings:** Records video at a high frame rate for slow-motion playback.
- Other modes may include self-timer, continuous shooting, and scene modes.



Image: Quick Rotary Dial for Mode Selection.

4.3. Focusing

The camera supports both automatic (AF) and manual (MF) focusing. Use the camera's menu or dedicated controls to switch between modes.

- **Autofocus (AF):** The camera automatically detects and focuses on the subject. This is suitable for most

general shooting situations.

- **Manual Focus (MF):** Allows you to manually adjust the focus for precise control, especially in challenging lighting conditions or for creative effects.



Image: Automatic and Manual Focus Control.

4.4. Zoom Function

The camera features a 16x digital zoom. Use the zoom lever or buttons (typically marked 'W' for Wide and 'T' for Telephoto) to adjust the zoom level.

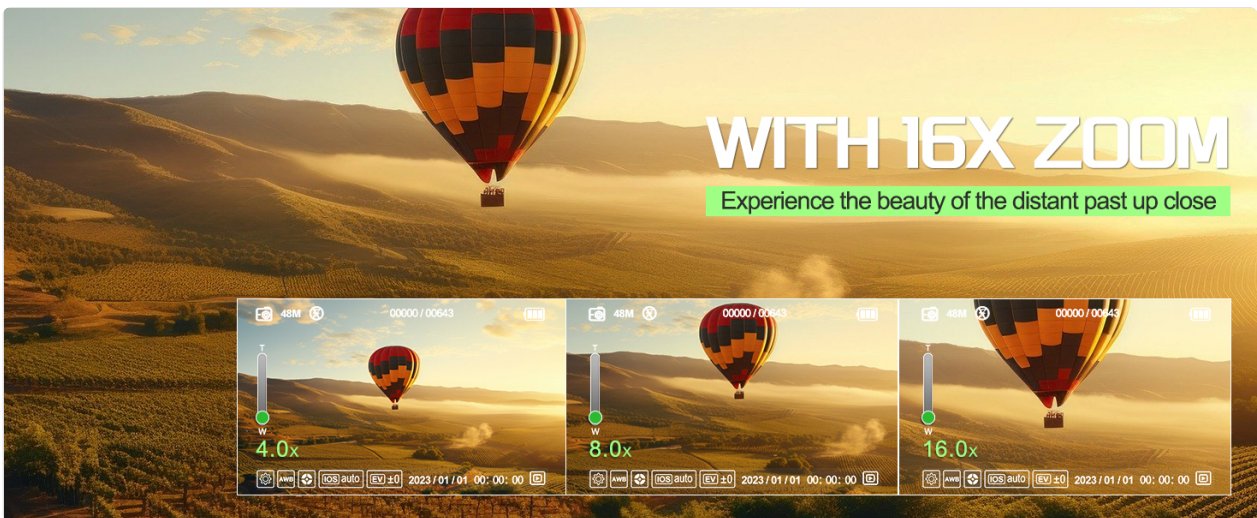


Image: 16x Digital Zoom Capability.

4.5. Flash Settings

The built-in flash can be configured via the camera's menu. Available settings typically include:

- **Automatic Flash:** The camera determines when to use the flash based on lighting conditions.
- **Flash On/Fill Flash:** Forces the flash to fire, useful for brightening shadows.
- **Flash Off:** Disables the flash.
- **Slow Sync:** Combines flash with a slow shutter speed for balanced exposure of both subject and background in low light.

Fill Light & Anti-shake



Image: Fill Light and Anti-shake Functionality.

4.6. Exposure and White Balance

Adjust exposure compensation (EV) and white balance settings through the camera's menu to achieve desired image brightness and color accuracy.

- **Exposure Compensation:** Adjusts the overall brightness of the image.
- **White Balance:** Corrects color casts so that white objects appear white under different light sources (e.g., Auto, Daylight, Cloudy, Fluorescent, Tungsten).



Image: Exposure and Color Settings.

4.7. Wi-Fi Connectivity and App Control

The camera supports Wi-Fi for remote control and image transfer via a dedicated mobile application.

1. Turn on Wi-Fi on your camera via the settings menu. The camera will display a Wi-Fi ID and password.
2. On your smartphone, download the companion app (scan the QR code displayed on the camera screen or in the manual).
3. Connect your smartphone to the camera's Wi-Fi network using the provided ID and password.
4. Open the app to control the camera remotely, view live footage, and transfer files.



Image: Wi-Fi Connection via App. Download the app here: <https://qr19.cn/BlamDW>

4.8. Webcam Functionality

The NBD S110-QT-EU-241 can be used as a webcam for live streaming or video conferencing.

1. Connect the camera to your computer using the provided Type-C USB cable.
2. Select 'Webcam Mode' on the camera's screen if prompted.
3. Your computer should recognize the camera as a webcam. Select it as the video input source in your video conferencing or streaming software.



WEBCAM VLOGGING



USB & WIFI TRANSMISSION



Image: Webcam Vlogging and USB & WiFi Transmission.



Webcam

Image: Camera used as a webcam for video calls.

4.9. Data Transfer

You can transfer photos and videos from your camera to a computer using the Type-C USB cable or by

removing the microSD card and using the provided card reader.

- **USB Connection:** Connect the camera to your computer with the Type-C cable. The camera will appear as a removable drive, allowing you to copy files.
- **Card Reader:** Insert the microSD card into the card reader, then plug the card reader into your computer's USB port.



Image: Type-C / HDMI Data Delivery.

5. MAINTENANCE

5.1. Cleaning the Camera

- Use a soft, lint-free cloth to clean the camera body. For stubborn dirt, slightly dampen the cloth with water.
- For the lens and screen, use a specialized lens cleaning cloth and solution. Avoid touching the lens surface with your fingers.
- Never use organic solvents or strong chemicals to clean the camera.

5.2. Battery Care

- Store batteries in a cool, dry place when not in use.
- Avoid exposing batteries to extreme temperatures.
- If the camera will not be used for an extended period, remove the battery.

5.3. Storage

- Store the camera in a dry, dust-free environment, preferably in the provided camera case.
- Avoid areas with high humidity or extreme temperature fluctuations.

6. TROUBLESHOOTING

If you encounter issues with your camera, refer to the following common solutions:

Problem	Possible Cause / Solution
---------	---------------------------

Problem	Possible Cause / Solution
Camera does not power on	Ensure the battery is fully charged and correctly inserted. Try charging the battery for a longer period.
Poor image/video quality	Check lens cleanliness. Ensure sufficient lighting. Adjust exposure settings. Verify focus is correctly set (autofocus or manual).
Camera freezes or becomes unresponsive	Remove and reinsert the battery to perform a hard reset. Ensure the memory card is not corrupted.
Wi-Fi connection issues	Ensure Wi-Fi is enabled on both camera and smartphone. Re-enter the Wi-Fi password. Move closer to the camera to improve signal strength.
Memory card error	Ensure the memory card is inserted correctly. Try formatting the card (this will erase all data). Use a different compatible microSD card.

7. SPECIFICATIONS

Feature	Detail
Model Number	NBD-S110-QT-EU-2411
Dimensions	20.5 x 16.5 x 10.6 cm; 990 g
Manufacturer	NBD
Effective Still Image Resolution	48 MP
Video Resolution	5K (implied from title), 60 FPS (continuous shooting speed)
Video Capture Format	MP4
Image Stabilization	Optical
Maximum Aperture	F3.5
Exposure Control Type	Automatic, Manual
Screen Size	3 Centimeters (display)
Viewer Type	Electronic
Flash	Built-in; Automatic, Slow flash, Off, On/Fill, Slow sync
Continuous Shooting Speed	60 FPS
Lens Description	Wide-angle and macro lens with 16x digital zoom
Autofocus	Yes (Hybrid technology, Single-servo AF)
Memory Card Support	microSD (32GB card included)
Wireless Technology	Wi-Fi
Ports	1x USB, 1x Video Output

Feature	Detail
Battery Type	Ion batteries (included)
Water Resistance	No
Audio Recording	Yes
Webcam Functionality	Yes

8. WARRANTY AND SUPPORT

Information regarding product warranty and customer support is not available in the provided data. Please refer to the documentation included with your purchase or contact the retailer for details.