

[Manuals.plus](#) /

› [Harper & Bright Designs](#) /

› Harper & Bright Designs Triple Bunk Bed User Manual

Harper & Bright Designs HJH-GX309AAE-0903

Harper & Bright Designs Triple Bunk Bed User Manual

Model: HJH-GX309AAE-0903

PRODUCT OVERVIEW

The Harper & Bright Designs Triple Bunk Bed is designed to maximize space efficiency, offering sleeping arrangements for three individuals within a compact footprint. It features an upper twin-size bed and two lower twin beds, making it suitable for families with multiple children, guests, or for sleepovers. Constructed from durable pine wood and MDF, this bunk bed includes integrated storage solutions such as a built-in staircase with drawers and a small bedside drawer between the lower beds.



Figure 1: Overall view of the Harper & Bright Designs Triple Bunk Bed in gray, showcasing its three sleeping areas and integrated staircase with storage.

SAFETY GUIDELINES

Adherence to safety guidelines is crucial for the safe operation and longevity of your bunk bed. Please read and understand all instructions before assembly and use.

- **Weight Capacity:** Do not exceed the maximum weight capacity for each bed. The top bed has a weight capacity of 400 lbs, and each lower bed has a weight capacity of 400 lbs.
- **Proper Assembly:** Ensure all components are correctly assembled and securely fastened according to the provided instructions. Loose connections can lead to instability and injury.
- **Mattress Thickness:** Use mattresses of the recommended thickness. For the top bed, a mattress thickness of 6 inches is recommended. For the lower beds, a mattress thickness of 8-10 inches is recommended.
- **Guardrails:** The top bunk is equipped with guardrails. Ensure they are always in place and properly secured to prevent falls.

- **Staircase Use:** Use the built-in staircase for access to the top bunk. Do not use alternative methods for climbing.
- **No Jumping:** Do not allow jumping on the bed.
- **Regular Inspection:** Periodically check all bolts and connections to ensure they remain tight. Tighten as necessary.

SETUP AND ASSEMBLY

The Harper & Bright Designs Triple Bunk Bed requires assembly. All necessary parts, tools, and an installation manual are included. It is recommended to have assistance during assembly.

Before You Begin:

- **Check Packages:** The product ships in 3 separate boxes. Please ensure all three packages have arrived before starting assembly.
- **Unpack and Identify:** Carefully unpack all components and identify them against the parts list in the included installation manual.
- **Clear Workspace:** Prepare a clear, spacious area for assembly to prevent damage to components or injury.

Assembly Process:

1. Follow the step-by-step instructions provided in the dedicated "Installation Manual" included with your product.
2. Utilize the provided tools for assembly. Do not overtighten screws initially; tighten all fasteners fully once the entire structure is aligned.
3. Pay close attention to the orientation of parts, especially for the bed frames, staircase, and storage components.

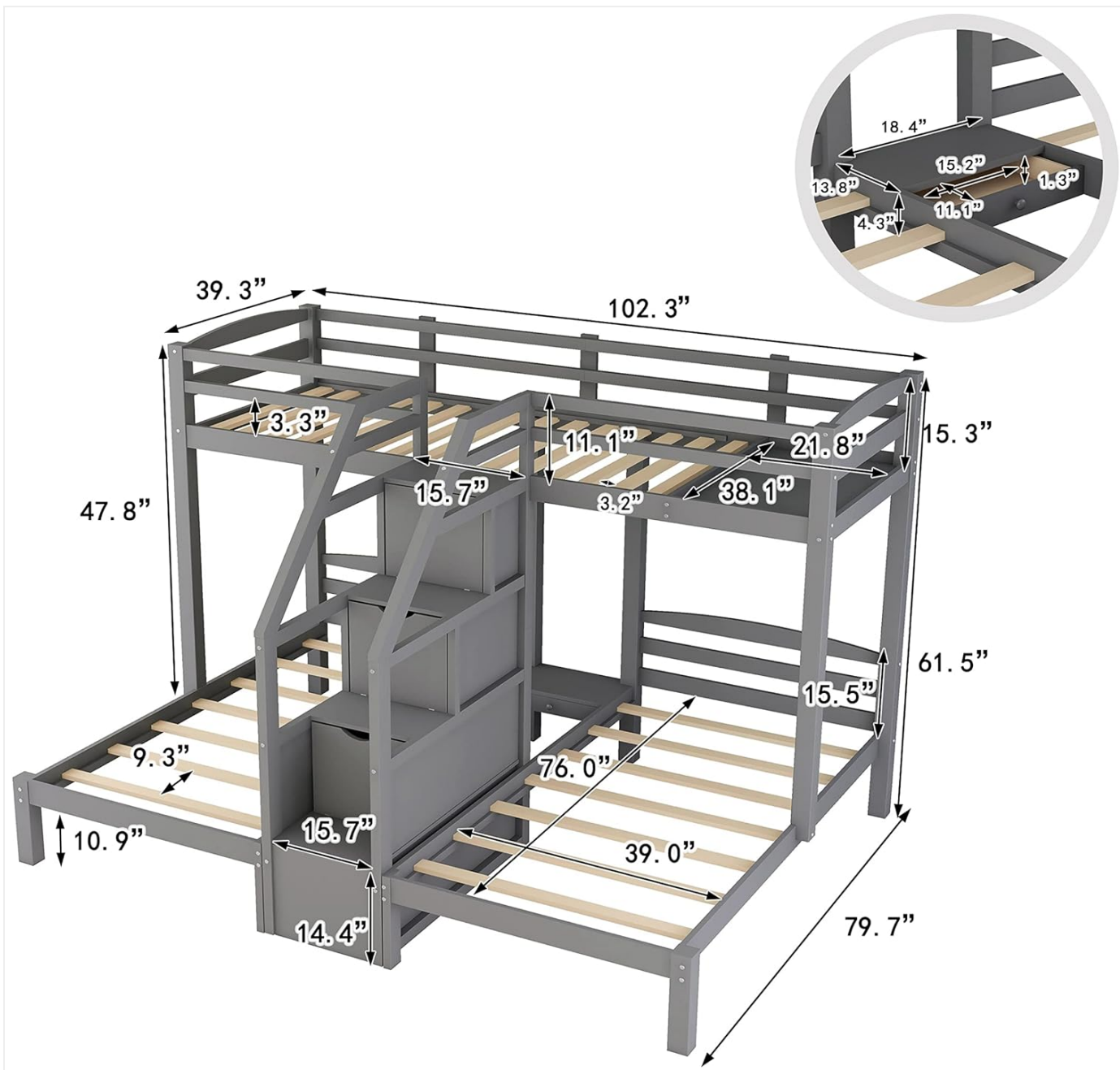


Figure 2: Detailed dimensions of the bunk bed, useful for planning placement and assembly.



Figure 3: Angled view illustrating the structure of the bunk bed, including the staircase and bed frames.

OPERATING INSTRUCTIONS

This section outlines the proper use of the Harper & Bright Designs Triple Bunk Bed and its integrated features.

Using the Beds:

- The bunk bed accommodates three twin-size mattresses. Ensure mattresses meet the recommended thickness for safety and comfort.
- The upper bed is accessed via the built-in staircase. Always use the stairs for climbing and descending.

Utilizing Storage Features:

- **Staircase Drawers:** The 4-step staircase features three integrated drawers. These are ideal for storing bedding, clothes, toys, or other personal items. Pull the handles to open and push to close.
- **Bedside Drawer:** A small drawer is located between the two lower beds. This is suitable for small daily necessities such as books, mobile phones, or water bottles.
- **Upper Bed Storage Board:** The upper bunk includes a side storage shelf. This area can be used for placing items like books, small lamps, or personal belongings for the occupant of the top bunk.

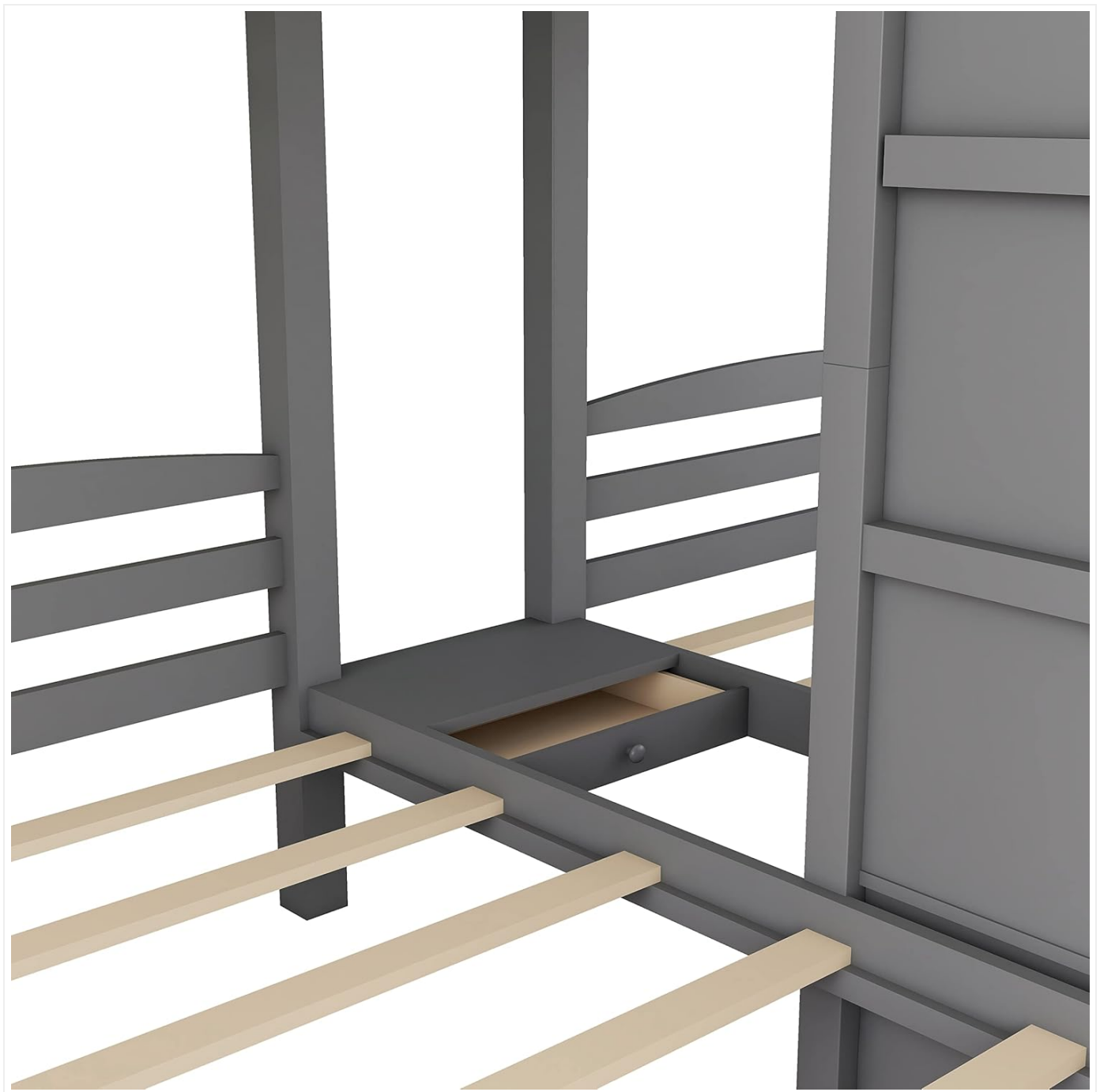


Figure 4: Detail of the small bedside storage drawer, designed for convenient access to personal items.



Figure 5: Detail of the storage board integrated into the upper bunk, providing a convenient shelf.

MAINTENANCE

Regular maintenance will help preserve the appearance and structural integrity of your bunk bed.

- **Cleaning:** Wipe surfaces with a soft, damp cloth. Avoid harsh chemicals or abrasive cleaners that could damage the finish.
- **Tighten Fasteners:** Periodically (e.g., every 3-6 months) check all bolts, screws, and connections. Tighten any that have become loose due to normal use.

- **Inspect Slats:** Ensure all bed slats are securely in place and undamaged. Replace any broken or cracked slats immediately.
- **Avoid Excessive Moisture:** Protect the wood from prolonged exposure to moisture or extreme temperature changes.

TROUBLESHOOTING

This section addresses common issues you might encounter with your bunk bed.

Issue: Bed feels wobbly or unstable.

- **Solution:** Check all assembly bolts and screws. Tighten any that are loose. Ensure the bed is placed on a flat, level surface.

Issue: Drawers are difficult to open or close.

- **Solution:** Ensure the drawers are properly aligned on their tracks. Check for any obstructions within the drawer compartments or tracks. Lightly lubricate drawer slides if necessary.

Issue: Missing parts during assembly.

- **Solution:** Verify all three packages have been received. If parts are still missing, contact customer service with your product model number and a description of the missing components.

SPECIFICATIONS

Material	Pine wood + MDF
Size	Twin over Twin & Twin
Color	Gray
Overall Product Dimensions	102.3"L x 79.7"W x 61.5"H
Top Bed Dimensions	76"L x 39.3"W
Down Bed Dimensions (Each)	76"L x 39.3"W
Total Height	61.5"
Number of Upper Bed Slats	14
Number of Each Down Bed Slats	7
Overall Product Weight	253 lbs
Top Bed Weight Capacity	400 lbs
Down Bed Weight Capacity (Each)	400 lbs
Recommended Top Mattress Thickness	6"
Recommended Down Mattress Thickness	8-10"

Spring Box Required	No
Assembly Required	Yes
Number of Packages	3
Model Number	HJH-GX309AAE-0903
UPC	197793856126

WARRANTY AND SUPPORT

For any questions regarding assembly, missing parts, or product issues, please contact Harper & Bright Designs customer service. While specific warranty details are not provided in this manual, the manufacturer is committed to assisting customers with product-related concerns.

Please have your model number (HJH-GX309AAE-0903) and purchase information ready when contacting support for efficient assistance.